



LT-324
STANDING SEAM ROOF

ERECTION INSTRUCTIONS

LUDWIG BUILDINGS, LLC.

521 TIMESAVER AVE. (504) 733-6260
P.O. BOX 23134 HARAHAN, LA. 70183
FAX NO. (504) 733-7458

INDEX

1.0 GENERAL
 1.1 Purpose of the Installation Guide 2
 1.2 Customer's Responsibility 2

2.0 SAFE ROOF INSTALLATION
 2.1 Erector's Responsibility 3
 2.2 OSHA 3
 2.3 Walking & Working on Roof Panels 3
 2.4 Handling Roof Materials in Strong Winds 4

3.0 CHECKING THE STRUCTURE
 3.1 Completed and Braced 5
 3.2 Lateral Stability 5
 3.3 Alignment 5

4.0 RECEIVING & HANDLING ROOF MATERIALS
 4.1 Material Inventory 6
 4.2 Equipment for Unloading and Lifting 6
 4.3 Lifting Roof Panel Bundles 6
 4.4 Field Storage of Roof Materials 7
 4.5 Handling Individual Roof Panels 8

5.0 ROOF INSTALLATION BASICS
 5.1 Proper Tools 9
 5.2 Equipment List 9
 5.3 Sealants 9
 5.4 Fasteners 10
 5.5 Field Cutting Panels and Flashing 11

6.0 ROOF PANEL LAYOUT
 6.1 Sheeting Direction and Modularity 12
 6.2 Layout & Checking for Coverage 12
 6.3 Appearance Considerations 12

7.0 INSPECTION OF ROOF ASSEMBLY DURING INSTALLATION
 7.1 Importance of Inspection 13
 7.2 Inspection List 13 - 15

8.0 STANDARD PARTS
 8.1 General 16
 8.2 Standard Parts Details 17 - 21

9.0 ROOF INSTALLATION DETAILS
 9.1 General 22
 9.2 Preparation for Roof Panel Installation 23 - 32
 9.3 Roof Panel Installation 33 - 55
 9.4 Termination Panel Installation 56 - 61
 9.5 End Dam Installation 62 - 70
 9.6 Rake Trim Installation 71 - 76
 9.7 Rake Transition Installation 77 - 79
 9.8 Ridge Cover Installation 80 - 85
 9.9 High Eave Transition Installation 86 - 89
 9.10 Eave Gutter Installation 90 - 93
 9.11 Hip and Valley Installation 94



1.0 GENERAL

1.1 Purpose of the Installation Guide

This installation guide is provided to Ludwig Buildings Inc. customers and their erectors as the recommended procedure for the correct assembly of the Ludwig Buildings Inc. Standing Seam Roof System.

This guide is intended to be used in conjunction with the project's erection drawings to help plan and organize the installation of the Ludwig Buildings Inc. Standing Seam Roof System. The erection drawings identify the applicable roof conditions and govern specific part arrangements. The instructions will help you identify parts, establish the installation sequence, demonstrate correct assembly, and point out any areas or procedures requiring special emphasis or attention.

This installation guide applies to the standard Ludwig Buildings Inc. Standing Seam Roof System. Custom roof conditions, including custom details and instructions, will be covered by the erection drawings. In case of conflict between this installation guide and the erection drawings, the erection drawings will take precedence.

1.2 Customer's Responsibility

The customer is responsible for proper installation of the roof in accordance with the erection drawings and this installation guide, and in accordance with good engineering and construction practices.

The customer must take the responsibility for selecting a competent erector, insist that the work be performed by qualified and experienced standing seam metal roof installers, insist that the erector take time to study and understand this guide, then assure that the erector correctly follows the guide's instructions.

Ludwig Buildings Inc. does not guarantee and is not liable for the quality of erection. Ludwig Buildings Inc. is not responsible for building defects that may be attributed to improper erection or the negligence of other parties.

Clarification concerning the Ludwig Buildings Inc. roof installation should be directed to the Ludwig Buildings Inc. Customer Service Manager.

Contact the Ludwig Buildings Inc. office:

Ludwig Buildings Inc.
521 Timesaver Ave.
Harahan, LA. 70123
Phone (504) 733-6260

2.0 SAFE ROOF INSTALLATION

2.1 Erector's Responsibility

The erector of the roof system is responsible for the safe execution of this installation guide. These instructions are intended to describe the sequence and proper placement of parts. They are not intended to prescribe comprehensive safety procedures.

If the erector cannot safely assemble the roof in accordance with these instructions, it is the responsibility of the erector to stop the work and contact Ludwig Buildings Inc. to determine alternate assembly procedures.

2.2 OSHA

The Occupational Safety and Health Act (OSHA) has promulgated many regulations applicable to the installation of this or any other roof system. These regulations, identified as Part 1926, Safety and Health Regulations for Construction, are available from any government bookstore. The objective of the OSHA standards is to protect the worker from injury or illness. These OSHA regulations should be recognized as job site requirements and be fully complied with.

Failure to do so may result in substantial fines in the event of an OSHA inspection. Safe installation practices may be further defined and made mandatory by state or local ordinances.

Maintaining good housekeeping on the job site is recognized as being important to both OSHA compliance and to successful job completion.

2.3 Walking & Working on Roof Panels

A. PLACING PANELS ON THE STRUCTURE

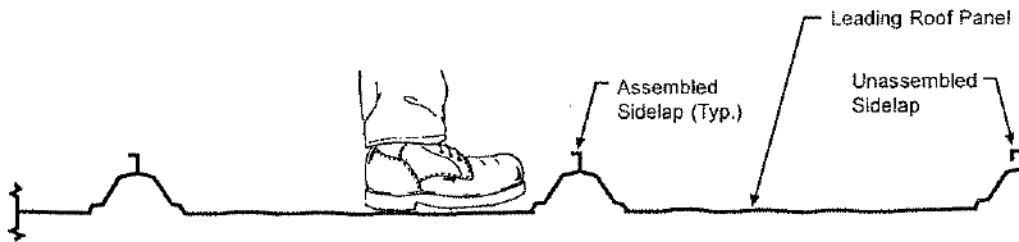
Do not place bundles of panels on the roof structure without first verifying the structure will safely support the concentrated weight of the panels and the weight of the installation crew. Some roof structures may not be designed to support the weight of a full panel bundle without additional structure support.

Do not walk on the last installed panel run, as the unsecured edge could collapse under a person's weight. When installing clips or making endlap connections, etc., stand where the roof structural will support your weight.

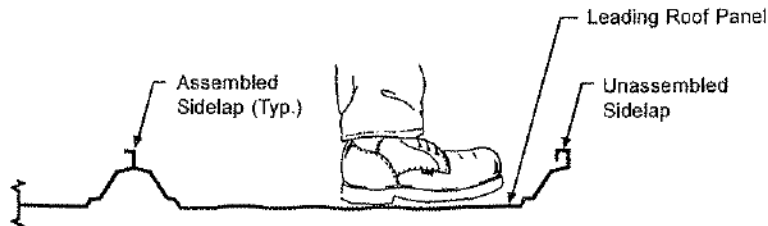
An approved and safe walking platform should be used in high traffic areas to prevent the roof panel from being deformed, scratched, or scuffed.

B. WALKING ON ROOF PANELS

Do not use a roof panel as a working platform. An unsecured panel could collapse under the weight of a person standing between purlins or at the panel end.



CORRECT
Step **ONLY** on secured roof panels



CAUTION — INCORRECT
DO NOT step on leading (unsecured) roof panel.

2.0 SAFE ROOF INSTALLATION

2.3 Walking & Working on Roof Panels (Continued)

C. SAFETY EQUIPMENT

The use of safety equipment for the roof panel installation is recommended at all times during the installation process. However, when using lanyards, ensure that the clasp, belt hooks and wire cables are covered in such a manner that they will not scratch the panel surface if accidentally dragged along the panel.

D. CREW SIZE

The length of the individual roof panels should be considered when determining the crew size. It is recommended that under normal conditions, there be one person for every ten feet of panel length, plus one.

E. PANEL OVERHANG

Do not stand on the end of unsupported (cantilevered) panels at the eave or ridge. Standing on the cantilever portion may result in panel collapse.

F. POINT LOADS

When properly supported by the structurals, panels are designed to support uniform loads, which are evenly distributed over the panel surfaces. Point loads that occur in small or concentrated areas, such as heavy equipment, ladder or platform feet, etc., may cause panel deformation or even panel collapse.

G. SLICK SURFACES

Panel surfaces and structural steel surfaces are hard, smooth, and nonabsorbent, which causes these surfaces to be very slick when wet or covered with snow or ice. Even blowing sand or heavy dust can make these surfaces difficult to walk on without slipping.

Unpainted panel surfaces are often coated with oil to accommodate the panel-fabrication process. Although designed to wash away or evaporate during normal weather, the oil on new panels can be extremely slick, especially during periods of light rain or dew.

Caution must be exercised to prevent slipping and falling onto the roof surface or even sliding off the roof. Non-slip footwear is a necessity and non-slip working platforms are recommended.

H. ELECTRICAL CONDUCTANCE

Metal panels are excellent electrical conductors. A common cause of injury is the contact of metal panels with power lines during handling and installation. The location of all power lines must be noted and, if possible, flagged. The installation process must be routed to avoid accidental contact with all power lines and high voltage services and equipment. All tools and power cords must be properly insulated and grounded and the use of approved ground fault circuit breakers is recommended.

I. FALSE SECURITY OF INSULATION

Blanket and board insulation blocks the installer's view of the ground below the roof. Serious injury can occur when the installer gets a false sense of security because he cannot see the ground and steps through the insulation.

J. SHARP EDGES

Some edges of panels and flashing are razor sharp and can cause severe cuts if proper protective hand gear is not worn. Be careful not to injure others while moving panels and flashing.

2.4. Handling Roof Materials in Strong Winds

Do not attempt to move panels in strong winds. Wind pressure can easily cause a man to lose balance and fall. Strong wind uplift on a panel can lift the weight of the man carrying the panel.

Loose, wind borne panels are very dangerous and can cause severe injury and damage.

Secure stacks of panels with banding or tie-downs, so wind will not blow the panels off the roof. Clamp individual unsecured panels to the roof structurals. Clamp or block panel bundles and accessory crates to prevent them from sliding down the roof slope.

3.0 CHECKING THE STRUCTURE

3.1 Completed and Braced

Before placing materials and workers on the roof structure to start roof installation, it must be confirmed that the structure is designed to accommodate the material and erection loads as well as the appropriate live loads and wind uplift loads. It also must be determined that the structure is complete and

structurally sound with all structural connections and bracing in place and secure.

3.2 Lateral Stability

The sliding clip method of attaching the roof panels to the roof structurals provides only limited lateral stability and diaphragm bracing to the roof structurals.

Before placing materials on the roof and starting the roof installation, confirm that the necessary roof bracing and sag angles, strapping or bridging is in place and secured.

3.3 Alignment

Prior to installation, roof structurals should be checked for overall dimensions and evenness of plane. The roof structurals should also be checked to verify the roof system could be installed without interference. Also, roof structurals nearest the panel endlaps, ridge or high eave should be checked for correct location to properly accommodate the roof components.

To assure that the accumulation of structure length error and rake straightness error does not exceed the roof system's tolerance, the structure length should be measured from rake line to rake line at each eave, at the ridge and at each point where there is a significant error or change in rake straightness (this usually occurs at an end rafter splice).

A. TOLERANCES

To assure the roof system's correct fit-up and designed weather tightness, the structure must be aligned within the following tolerances:

Out of Square — The roof system can only accommodate 1/4" of sawtooth of the roof panel ends at the eave, ridge and panel splices. This means the allowable out of square of the rake line relative to the eave line and ridge line is 1/4" for each 40' of rake run.

Structure Width and Eave Straightness — The roof system is designed to accommodate $\pm 2"$ of overall structure width error, or $\pm 1"$ of eave straightness error at each eave.

To assure that the accumulation of the structure width error and eave straightness error does not exceed the roof system's tolerance, the structure width should be measured from eave line to eave line at each rake, at the first frame line from each rake and at each point where there is a significant error or change in eave straightness (this usually occurs at a frame line or at a wind column).

Structure Length and Rake Straightness — The roof system is designed to accommodate $\pm 2"$ of overall structure length error, or $\pm 1"$ of rake straightness error at each rake.

B. MEASURING

Structure length and width may be measured with a steel measuring tape from the face of the eave or rake member to the face of the opposite eave or rake member. The measuring tape must be parallel to the relative eave or rake line and must be stretched taut.

Eave and rake straightness may be determined by measuring deviations from a string line, which is stretched taut along the eave or rake line.

C. AESTHETIC ACCEPTANCE

Although these structure alignment tolerances will allow for reasonable roof component fit-up and ease of installation, the extremes of these tolerances may be aesthetically objectionable and should be confirmed with the customer before starting the roof installation.

D. CORRECTIONS

Any structure alignment error, which exceeds the above stated tolerances, must be corrected before roof installation can begin. If it is decided that the structure alignment errors cannot be corrected, alternate roof details may have to be developed. The alternate details may require additional materials, modified parts (with additional cost, fabrication and delivery time) and additional installation time. Ludwig Buildings Inc. cannot assure the performance of such alternate details.



4.0 RECEIVING & HANDLING ROOF MATERIALS

4.1 Material Inventory

Your material is carefully inspected and crated before leaving the plant and accepted by the transportation company as being complete and in satisfactory condition. It is the carrier's responsibility to deliver the shipment intact. It is the consignee's responsibility to inspect the shipment for damages and shortages when it is delivered.

Conducting a material inventory at the time of delivery is essential. By conducting the materials inventory, the erector is able to identify any material shortage or damage and avoid stopping installation later because of such shortage or damage.

It is imperative that any shortages or damage of the delivered materials be noted at once and clearly marked on the bill of lading before signature of acceptance. Notify Ludwig Buildings Inc. immediately of any conflicts. Ludwig Buildings Inc. will not be responsible for shortages or damages unless they are noted on the bill of lading.

In the case of packaged components (such as clips, fasteners and sealants, etc.), the quantities are marked on their container and should be checked against the bill of materials. Ludwig Buildings Inc. **must be notified of any shortages or concealed damage within 15 days of delivery.**

4.2 Equipment For Unloading and Lifting

Hoisting equipment is necessary to unload and position the panels and accessory crates for site storage and installation. The equipment must have sufficient capacity and reach to place the material where it is required for efficient installation.

Slings will be required to minimize panel damage. The recommended slings are nylon straps of 6" minimum width and of sufficient length to accommodate the panel bundle girth. A spreader bar will be required for the longer panel crates to assure correct sling spacing and uniform lifting. The spreader

bar must be large enough to handle the maximum panel bundle weight and length.

A forklift is handy for unloading and placing shorter panel and accessory crates.

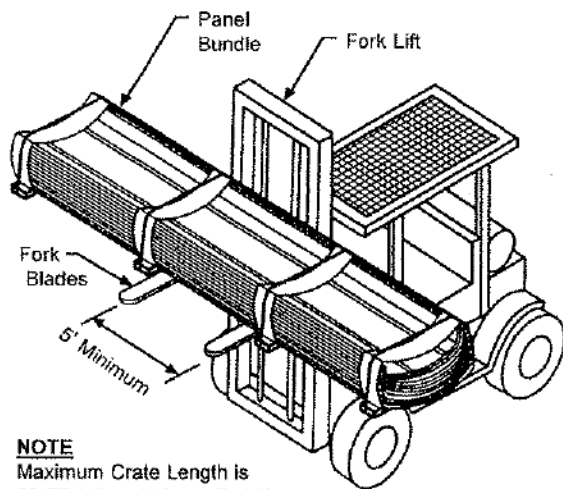
4.3 Lifting Roof Panel Bundles

Under normal conditions, panel crates less than 35' long can be lifted with two slings spaced at third points. Panel crates longer than 35' can be lifted with three slings located at quarter points using a spreader bar to achieve correct sling spacing for uniform lift.

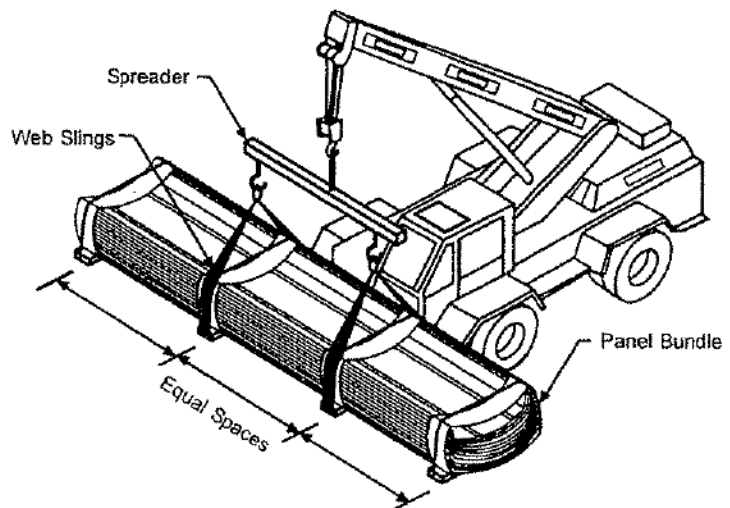
the load during lifting, especially if operating in the wind.

Panel crates less than 25' long may be lifted with a forklift only if the forks are spread at least 5' apart and blocking is used to prevent panel damage by the forks.

Slings should be located under the cross boards. Loads should always be checked for secure hook-up, proper balance, and lift clearance. Tag lines should be used if necessary to control



NOTE
Maximum Crate Length is
25 FT. When Using a Forklift.



4.0 RECEIVING & HANDLING ROOF MATERIALS

4.4 Field Storage of Roof Materials

Upon acceptance of the shipment, the customer or his representative is responsible for proper handling storage and security of the roof materials. Ludwig Buildings Inc. is not liable for damage or loss of materials at the job site.

The roof panel bundles should be stored on the job site in accordance with the following recommendations:

- Store panels in a protected area, out of standing water and drifting snow, etc.
- Elevate panels with blocking to allow air circulation under the bundle.
- Slope panels for drainage of moisture from the panels.
- As necessary, cover panels with waterproof tarp, allowing for air circulation (do not wrap tarp under panel crate or restrict air movement).
- Inspect panels daily for moisture accumulation.

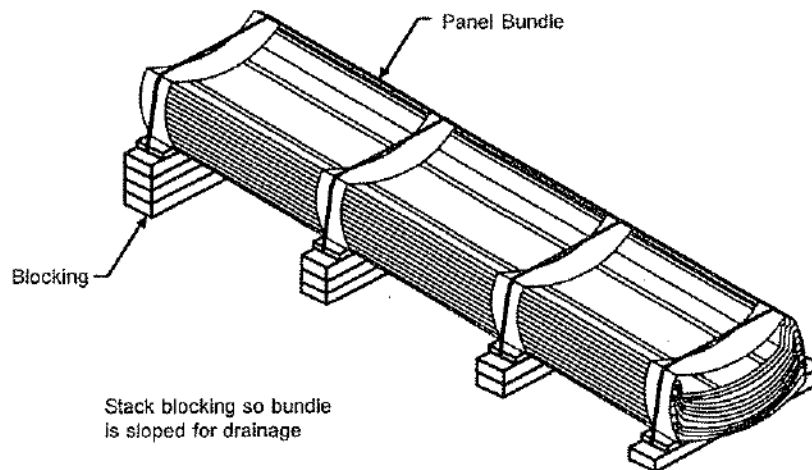
f. If panel bundles contain moisture, the panels should be dried and re-stacked. Use care in re-stacking to avoid damage to panels.

g. Opened or re-stacked panel bundles should be secured to prevent wind damage.

When moving panel bundles, extreme caution should be taken to prevent damage to the panel edges. Uncrated panels should be supported at each end and at 8' spaces.

All bundles or loose panels on the roof should be banded to the roof structurals at the end of each workday. On steep roofs, provisions should be taken to prevent panels and panel crates from sliding off the roof. Be sure to set panel bundles on the roof in the proper direction for the installation sequence.

Trim and accessories should be stored in a secure area and protected from damage, weather, and theft. Fasteners, sealants, closures, etc. should be stored out of the weather and protected from contamination.



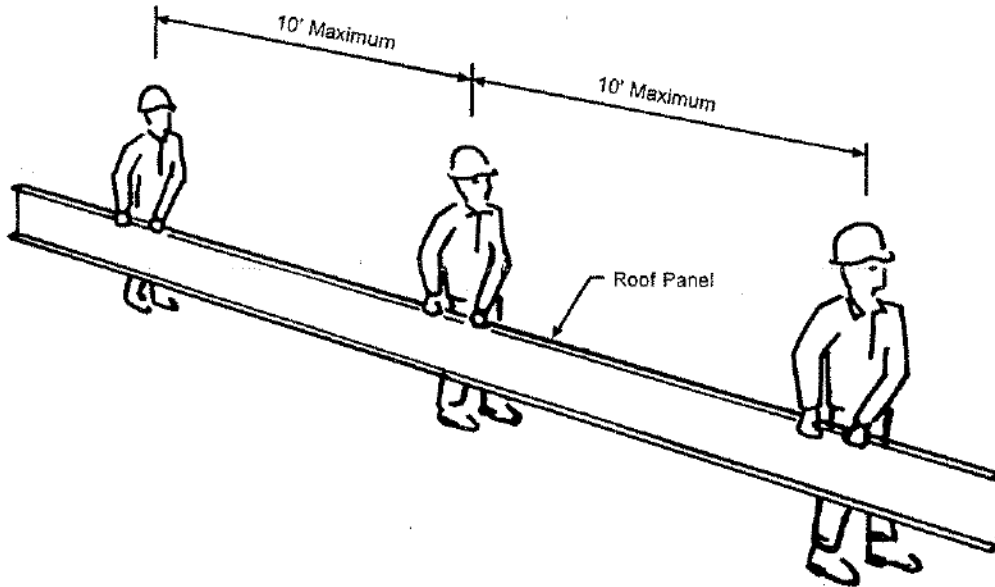
4.0 RECEIVING & HANDLING ROOF MATERIALS

4.5 Handling Individual Roof Panels

To lift individual panels, lift one side of the panel by the seam letting it hang naturally to prevent buckling. Pick-up points should not be more than 10' apart. Do not pick-up panels by the ends only, or in a flat position.

If the individual panels are to be lifted to the roof by hand line, the common method is to use the vice grip "C" clamps. Position the clamps on the flat of the panel, as close as possible

to one edge so the panel is lifted in a vertical position. The jaws of the vice grips must be padded to prevent damage to the panel surface. The clamps should be uniformly spaced, no more than 10' apart and the hand lines must be pulled in unison so that uneven lifting does not buckle the panel. Be sure the clamps are tight on the panel and the line is secure to prevent dropping the panel, which can result in personal injury and property damage.



5.0 ROOF INSTALLATION BASICS

5.1 Proper Tools

Before starting paneling, be sure that the proper equipment and tools are on hand. The tools must be in good operating condition and operators should adhere to safety precautions at all times.

Improperly operating tools, too few tools, inadequate power source, or other equipment deficiencies slow down the installation process. The cost of inefficient working is usually greater than the cost of providing good equipment.

5.2 Equipment List

The following tools and equipment should be considered for efficient installation of the Ludwig Buildings Inc. standing seam panel. Actual tools and equipment required may vary due to variations in building type and construction.

This list should not be interpreted as a limitation to your inventory of installation equipment.

*TS-324 Rib Clamp — Minimum of (4) required
 *TS-324 Seam Clamp — Minimum of (2) required
 *TS-324 Motorized Seaming Machine
 *ESE #812 Manual Seaming Tool
 Screw Guns — Designed for use with self-drilling screws
 Socket Extensions — 6" extension for screw gun
 Hex Socket Heads — 5/16" and 3/8", magnetic
 Drill Motor — 1/4" capacity
 Drill Bits — Assortment
 Sheet Metal Cutter — or power shears or nibbler
 "C" Clamps — vise grip type
 Pop Rivet Tool — 1/8" capacity
 Sheet Metal Shears — left and right cut
 Hack Saw — with metal cutting blade

Steel Measuring Tape — 12', 50', 100'
 Nylon String Lines
 Chalk Line
 Brooms
 Marking Pen
 Caulk Guns — for 1/10 gallon sealant tubes
 Power Source and Extension Cords — capable of handling the total equipment requirements, including 20-amp seamer machine, without power drop due to extension cord length.

*These tools are specifically designed for the Ludwig Buildings Inc. Roof Panel and are available from the Ludwig Buildings Inc..

5.3 Sealants

A. TEMPERATURE EFFECTS

Temperature extremes must be considered during installation of the roof due to the sensitivity of sealants. The recommended installation temperature range is 20° F to 120° F. At colder temperatures, the sealant stiffens resulting in loss of adhesion and compressibility. At hotter temperatures, the sealant becomes too soft for practical handling. On cold but sunny days, the panel's surface may become warm enough to accept the application of a heated sealant even though the air temperature is below 20° F.

When overnight temperatures fall below freezing, the sealant should be stored in a heated room so it will be warm enough to use the following day. On hot days, the sealant cartons should be stored off the roof in a cool and shaded area. While on the roof, sealant rolls should be kept shaded until actual use.

In very cold weather, it is recommended that the fasteners be tightened slowly and only tight enough that the sealant is in full contact with the panel or flashing. Then on the next sunny day, complete the tightening process after the sun warms the panel and flashing surfaces.

B. CONTAMINATION

To assure proper adhesion and sealing, the sealant must have complete contact with adjoining surfaces. Contaminants such as water, oil, dirt and dust prevent such contact. The panel and flashing surfaces must be dry and thoroughly cleaned of all contaminants. Before applying tape sealant, the sealant should be checked for contaminants. If the sealant surfaces are contaminated, it must not be used.

During cool weather, condensation or light mist can accumulate on the panel and flashing surface and not be easily noticed. It is recommended that sealants always be kept under protective cover and that the panel and flashing surfaces be wiped dry immediately before installation.

Tape sealant is provided with a protective paper to reduce contamination. Incomplete removal of the protective paper will prevent the sealant's adhesion to the panel or flashing surfaces. Always check that the protective paper is completely removed. Do not remove the protective paper until immediately before the panel or flashing is installed over the sealant.



5.0 ROOF INSTALLATION BASICS

5.3 Sealants (Continued)

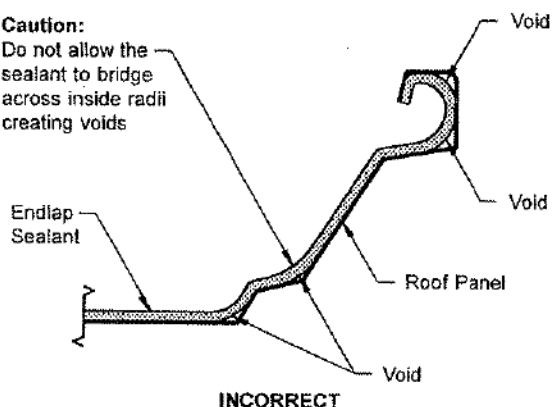
C. COMPRESSION

To assure proper adhesion and seal, the tape sealant must be compressed between the panel and flashing surfaces with firm and uniform pressure. In most cases, the required pressure is applied by the clamping action of screws pulling the adjoining surfaces together. However, the tape sealant's resistance to pressure becomes greater in cold weather.

During cold weather, the fasteners must be tightened slowly to allow the sealant time to compress. If the fasteners are tightened too fast, the fastener may strip out before the sealant compresses adequately, or the panel or flash may deform in the immediate area of the fastener, leaving the rest of the sealant insufficiently compressed.

Caution:

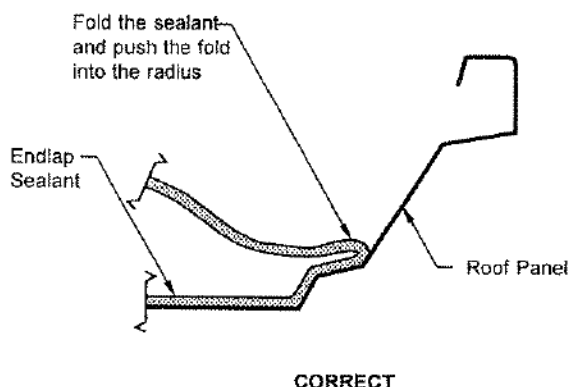
Do not allow the sealant to bridge across inside radii creating voids



D. INSIDE CORNERS

An inside radius, such as where the panel flat meets a rib, is usually the most critical area to seal. A common mistake for the installer, is to bridge the sealant across the inside radius.

When the lapping panel or flashing is pushed into place, the bridged sealant is stretched and thinned. The sealant may then be too thin to adequately seal this critical area. When tape sealant is applied at an inside radius, it is recommended that the sealant be folded back on itself, then push the sealant fold into the radius.



5.4 Fasteners

A. SCREW GUN

Use torque control screw guns for driving self-drilling screws. 2000-2500 RPM screw gun speeds are necessary to attain efficient drilling speeds. High tool amperage (4 to 7 AMP) is required to achieve the proper torque for secure fastening.

B. SOCKETS

Use good quality magnetic sockets. Good fitting sockets reduce wobble and stripping of the screw heads, especially the alloy and capped heads. They also minimize objectionable paint chipping and scuffing on colored screws and minimize damage to the protective coating on unpainted screws.

Magnetic sockets collect drill shavings, which will build up and eventually prevent the socket from seating properly on the screw heads. One method of removing the drill shavings is to roll up a ball of tape sealant and push the socket into the sealant.

When the socket is removed from the sealant, most of the drill shavings will remain embedded in the sealant thereby cleaning the socket. This process should be repeated as often as needed to keep the socket clear of drill shavings.

C. SOCKET EXTENSION

A 4" or 6" socket extension is recommended for installing the panel clip screws. With the extension the screw can be driven straight down without tilting the screw gun to clear the panel or clip. Since socket extensions are slow to wear out, it is usually more cost effective to purchase socket extensions and good quality sockets rather than purchase sockets with built-in extensions.

D. INSTALLATION

Before starting the screw, the materials to be joined must be pressed together with foot or hand pressure. The pressure must be maintained until the screw has drilled through all the materials and the threads have engaged.

5.0 ROOF INSTALLATION BASICS

5.4 Fasteners (Continued)

Most self-drilling screws require 20 pounds of pressure to maintain the drilling action and to start the thread cutting action. Also, applying such pressure before starting the screw gun will usually prevent tip walking or wandering. If too little pressure is applied, the drill point may not cut into the metal and the point will heat up and become dull. If the pressure is too heavy, the bottom material may be deflected away, causing a standoff condition, or the drill tip may be broken or split. screws must be held perpendicular to the panel or flashing surface during starting and driving.

For proper seating of the fastener-sealing washer, the panel or flashing surface must be clean and drill shavings must be removed from under washers before seating. The fastener must be driven perpendicular to the panel surface so that the washer can seat level without warping or cupping.

Do not over drive screws. Over driving can strip the threads and/or damage the sealing washer. Use screw gun with torque control set to function properly for the combination of fastener size, hole size and material thickness.

The fastener should be driven tight enough to uniformly compress the washer but not so tight that the washer splits or rolls out from under it's metal dome. The recommended procedure is to tighten the fastener until the sealing washer just starts to visually bulge from under the metal dome.

As a good installation practice, all roof installers should carry approved oversized screws. Upon stripping or breaking a screw, the screw must be immediately removed and replaced with the appropriate oversized screw. Do not defer the screw replacement to be remembered and fixed later, or to be found by the clean-up crew. The majority of such screws will be overlooked until the customer complains of leakage.

5.5 Field Cutting Panels and Flashing

A. ABRASIVE SAW PROBLEMS

Abrasive saws (circular saws with friction disks) are not recommended for cutting roof panels or flashing. Abrasive saws create high heat that may burn away the protective cladding from the panel edge, causing the edge to rust.

Also, abrasive saw dust contains fine, hot steel particles, which accumulate on panel and flashing surfaces where they rust and can cause staining and rusting of those surfaces.

Rust caused by abrasive saw damage or abrasive dust particles may be excluded from warranty claims.

B. SHEARING METHODS

It is recommended that panels and flashing be cut with shears to provide a clean, undamaged cut. On shear cut edges, the protective cladding extends to the edge of the cut and is often wiped over the edge to further protect the base metal. Whenever possible, fit the material so that the factory cut edge is exposed and the field cut edge is covered.

When field cutting complex shapes, it is usually easier to cut out a 1" wide strip using both left and right hand shears. The 1" cutout provides clearance to smoothly cut the flats and the clearance to work the shears around tight corners.

When making repetitive cuts (such as cutting panels at a hip condition) it is recommended that a template be made from a piece of drop-off panel or flash to provide fast and accurate marking of the field cut. When using panel material for the template, cut off the top portion of the panel ribs so that the template is easily laid onto the panel being marked.

C. MARKING PANELS

Avoid marking the panels for cutting, etc., in a manner that will leave visible markings stains, etc., on the finished roof surface. Use chalk or felt tip ink markers. **Do not use graphite (lead) pencils on unpainted panel surfaces**, the graphite can cause rusting of the surface.



6.0 ROOF PANEL LAYOUT

6.1 Sheeting Direction and Modularity

Although the Ludwig Buildings Inc. roof system is designed so it can be installed in either direction (left to right or right to left), there may be roof conditions which require a specific sheeting direction. Check the erection drawings to determine if a specific sheeting direction is required. The recommended installation sequence is to complete each panel run from eave to ridge before starting the next panel run. This sequence will help ensure straight runs and allow the insulation to be installed immediately ahead of each panel run.

During installation of the roof, considerations must be made for maintaining panel modularity. By maintaining panel modularity, proper roof coverage can be obtained and the standard perimeter parts will fit properly without necessity of field modifications or reordering of parts, etc.

For proper fit-up between the panel, sealant and closures or endlap parts, the panels must be held to the width dimension of the panel as designated on the erection drawings within a 1/8" width tolerance per panel. The accumulated coverage (start panel to finish panel) tolerance is determined by the ability to keep the panels parallel and to correctly fit and assemble the finish rake condition.

If the roof has conditions such as fixed location penetrations, parapets, fire walls, etc., the accumulated panel coverage may require tighter tolerances for proper fit-up and weather tightness of the roof system.

6.2 Layout & Checking for Coverage

Recommended for all roofs, but a must for large or complex roofs, is to make a layout of the actual structure (field measured as described in section 3.3) so that the roof panel start and stop dimensions can be laid out to accommodate any structural misalignments.

When the optimal start and finish dimensions are determined, a string line should be set to precisely locate the leading edge of the start panel. After the start panel is secured and engaged with the next panel, the start panel seam will be the reference line for checking accumulated panel coverage.

Panel coverage is always checked at the eave, ridge, and end splices so that non-parallel seam (or dogleg) conditions can be detected and corrected before they become objectionable. The coverage check should be done with a measuring tape held taut and measured to the same side of the seam and always parallel to the eave to prevent any measuring error.

Every four to six panel runs should be checked for panel modularity. This will assure that the panels are maintaining a straight line and proper coverage is being maintained. If the panels are off module, they should be corrected by equal adjustments of the next four to six panel runs.

6.3 Appearance Considerations

Although the above stated coverage tolerance will provide for reasonable ease of installation and water tightness, such visible conditions as non-parallel panel seams, dogleg of the panel seam at the end splices, non-parallel finish panel width,

and mismatch of panel seams across the ridge, may be objectionable and should be confirmed with the customer before continuing roof installation.

7.0 INSPECTION OF ROOF ASSEMBLY DURING INSTALLATION

7.1 Importance of Inspection

During the roof installation, all areas of the roof system assembly must be frequently inspected to ensure the correct assembly in accordance with the erection drawings and this installation guide.

Failure to assemble the roof system correctly will result in roof performance problems that may require costly corrective work, roof replacement and performance and damage claims etc. Also, incorrect installation may void the performance and material warranties.

7.2 Inspection List

A. ERECTION DRAWINGS

Check that the erection drawings are available at the job site and have been reviewed for difference with the actual job conditions and differences with the installation guide. Also, confirm that the drawings are the latest issue with the latest revisions and additions.

B. ROOF LAYOUTS

Check that the roof start and finish dimensions have been correctly determined based on the erection drawings and the actual structural conditions.

C. BEFORE INSTALLING ROOF PANELS

Check that the structural misalignments were corrected in accordance with Section 3.0 of this installation guide.

Check that the correct eave and rake plates and eave trim are in place before installing the roof panels.

Check that the roof panel elevation provided by the panel clip height and insulation system matches the eave and rake plate elevation.

D. PANEL LENGTH

Check that the installed roof panels have the correct overhang at the eave and endlaps and have the correct hold back at the ridge or high eave, in accordance with the erection drawing.

E. EAVE SEAL

Check that the eave sealant is in the correct position on top of the eave trim and that the corrugation closure and eave pigtail sealant are correctly placed. Check that the eave fasteners penetrate the center of the eave sealant and into the eave plate. Check that the fasteners are not loose or stripped.

Check that the eave sealant is in complete contact with the roof panel and eave trim without any voids or gaps. Confirm that the roof panel and eave trim are clean and dry during installation and that the sealant is not wet or otherwise contaminated.

F. ENDLAP SEAL

Check that the roof panel endlaps are correctly assembled and that the lapping panels are tightly nested without visible gaps.

Check that the sealant is in the correct position and is in complete contact with the lapped panels without any voids or gaps, especially at the radius between the panel flat and the vertical legs of the panel. Confirm that the panels are clean and dry during installation and that the sealant is not wet or otherwise contaminated.

Check that the pigtail sealant is in the correct position and seals the endlap seam notches.

Check that the cinch strap fasteners penetrate through the center of the sealant and into the back-up channel. Check that the fasteners are not loose or stripped.

Check that the endlap assembly is not bowed down causing water ponding and debris accumulations.

G. RIDGE SEAL

Check that the ridge closure assembly is correctly assembled.

Check that the sealant is in the correct position and is in complete contact with the closure and the roof panel without any voids or gaps. Confirm that the closures and roof panels are clean and dry during installation and the sealant is not wet or contaminated.

Check that the closure fasteners penetrate through the center of the sealant and into the back-up plate. Check that the fasteners are not loose or stripped.

Check that the tube sealant is installed along the back of the closure as necessary to seal any voids around the panel seam area.



7.0 INSPECTION OF ROOF ASSEMBLY DURING INSTALLATION

7.2 Inspection List (Continued)

H. RAKE SEAL

Check that the termination zee is correctly assembled with the termination zee splices correctly oriented for downhill watershed.

If there are roof panel endlaps, check that the endlap sealant contacts the termination zee sealant or that a pigtail sealant is applied for that purpose.

Check that the sealant is in the correct position above and below the roof panel.

Check that the termination zee sets fully on the sealant and that the sealant is in complete contact with the roof panel and the zee without any voids or gaps. Confirm that the roof panel and zee are clean and dry during installation and that the sealant was not wet or contaminated.

Check that the termination zee fasteners penetrate the center of the sealant and into the rake plate. Check that the fasteners are not loose or stripped.

I. PANEL CLIP ATTACHMENT

Check that the panel clips are correctly fitted to the panel without any distortion or damage of the clip tab. On sliding clips, check that the clip tab is centered on the clip base between the centering tabs.

Check that the clips are located along each panel sidelap at each roof structural or at the locations specified on the erection drawings.

Check that the panel clip fasteners are of the type, size, length, finish and quantity-per-clip as specified on the erection drawings.

Check that the panel clip fasteners are not loose or stripped. In the case of multi-layered construction, verify that the fasteners penetrated and engaged the specified structural member.

J. SIDELAP

Check that the factory installed sidelap sealant is in the correct position without voids or interruptions and is not damaged, wet or otherwise contaminated.

Check that the full length of each sidelap seam is correctly seamed.

Check that the panel coverage tolerance does not exceed 1/8" per panel and that the accumulated coverage will allow proper fit and assembly of the end dams and finish rake condition and any other critical fit conditions such as penetrations, parapets, etc.

K. FLASHING AND PENETRATIONS

Check that all flashing (including penetrations) are correctly assembled and tightly fitted. Check that the required sealants are correctly positioned and in complete contact with the adjoining surfaces without voids or interruptions. Confirm that the sealants and adjoining surfaces are clean and dry during installation.

Check that the flashing splices are correctly lapped, sealed and fastened.

Check that the flashing is sufficiently pitched to shed water and eliminate ponding areas, especially at the critical splices, endlaps and corners.

Check that the fasteners are of the specified type, size, length, finish and spacing. Check that the fasteners are not loose or stripped. Check that the sealing washers are in full contact with the flashing surface and not distorted, split or otherwise damaged.

Along the rakes, high eave transitions, fixed penetrations, etc., check that the flashing is not constrained and will allow for the roof's expansion/contraction movement.

L. SURFACE CONDITIONS

Damaged roof system surfaces are subject to corrosion and performance problems and may void the material and performance warranties.

Check that the panel and flashing surfaces are not being subjected to abusive conditions such as: careless handling of panels and flashing, excessive roof traffic, abrasive or contaminated footwear, rough handling of materials, tools and equipment, or contact with abrasive materials or residue, etc.

Check that the panel and flashing surfaces are not being subjected to exposed metal objects and materials left on the roof such as: tools, material drop-off, fasteners, wire, staples, drill and nibbler chips, saw and file particles, etc. In the process of rusting, these materials will absorb the panel's protective coating, thus leaving the panels exposed to rusting.

7.0 INSPECTION OF ROOF ASSEMBLY DURING INSTALLATION

7.2 Inspection List (Continued)

Check that the panels and flashing are not being subjected to long term wet conditions such as: standing water, consistent sources of steam, mist, spray, dripping or runoff, wet debris, wet insulation or other moisture holding material.

Check that the panels and flashing are not subjected to direct contact or runoff from corrosive materials such as: copper pipes and flashing, uncured cement, treated lumber anti-icing chemicals, strong solvents or other corrosive materials.

Check that graphite pencils were not used to mark on unpainted surfaces. The graphite marks can cause rusting.

Check that the roof materials are not subjected to damaging heat such as: cutting torches, abrasive saws, etc.

M. UNSPECIFIED MATERIALS

Use of the wrong materials may cause installation and performance problems and may void the performance and material warranties.

Check that all installed roof system materials, especially sealants and fasteners, are only those which are provided or specified by Ludwig Buildings Inc. for your specific project and are used only as specified on the erection drawings and this installation guide.

Ludwig Buildings Inc. cannot be responsible for the performance of roof materials that are not provided, specified or approved by Ludwig Buildings Inc..



8.0 STANDARD PARTS

8.1 General

The following details provide a basic description and graphic illustrations of the standard roof assembly parts. The purpose of these details is to assist the erector in the correct selection and identification of parts.

Because of the many variations in conditions, it is important that you review the job conditions to identify the specific parts required for your job.

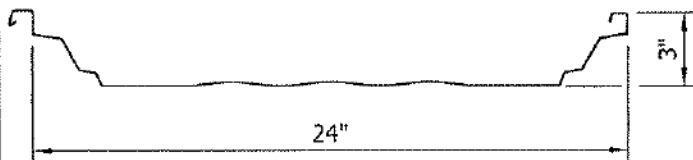
Review the erection drawings for any special parts or parts which are different from the standard parts shown in these details. If differences exist, the erection drawings will have preference.

For proper fit-up, sealing and fastening, and to help ensure the roof assembly's weathertightness, structural capability, durability and appearance, the correct parts must be used. Do not use parts other than those specified on the erection drawings.

8.0 STANDARD PARTS

ROOF PANEL (24" wide panel)

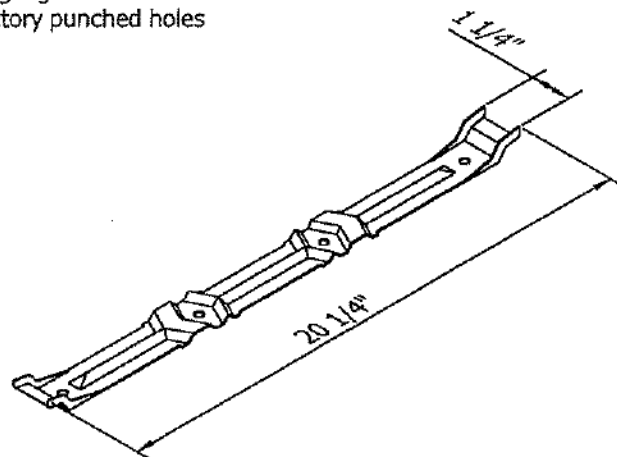
- 24 or 22 gauge Steel
- Painted or Galvalume Finish
- Striated Pan
- Factory notched for endlap
- Factory punched holes
- Factory Applied Sealant



Part No. TS324
(Specify gauge, finish & length)

ENDLAP CINCH STRAP (for 24" wide panel)

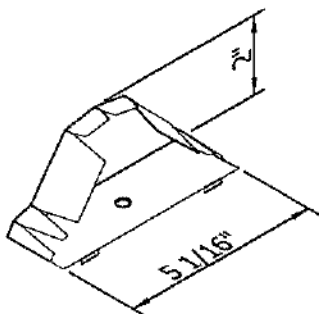
- 18 gauge Stainless Steel
- Factory punched holes



Part No. CS324

CORRUGATION CLOSURE

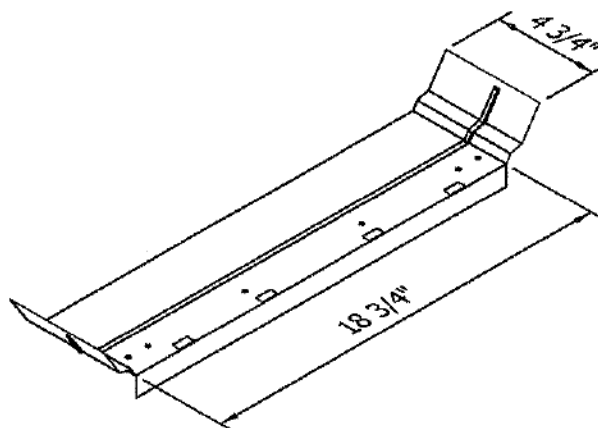
- 24 or 22 gauge Steel
- Painted or Galvalume Finish
- Factory punched hole



Part No. CC324 (Specify finish)

ENDLAP BACK-UP PLATE (for 24" panel)

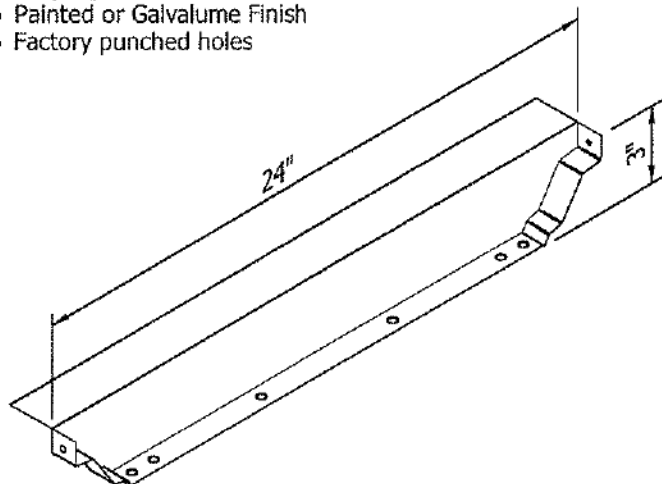
- 16 ga. Galvalume Steel
- Factory punched holes



Part No. BP324

END DAM (for 24" wide panel)

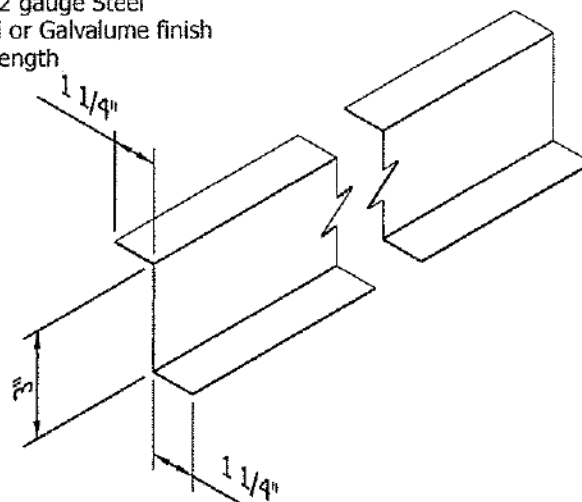
- 24 gauge Steel
- Painted or Galvalume Finish
- Factory punched holes



Part No. ED324 (Specify finish)

TERMINATION ZEE

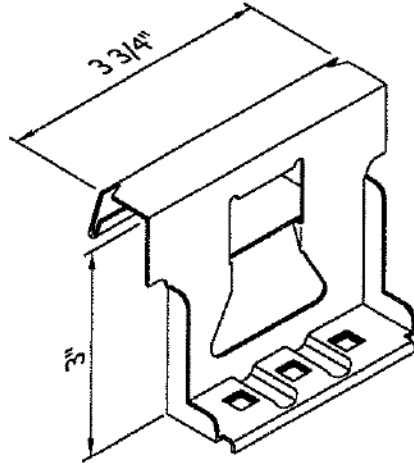
- 24 or 22 gauge Steel
- Painted or Galvalume finish
- 10'-0" length



Part No. TZ310 (Specify gauge and finish)

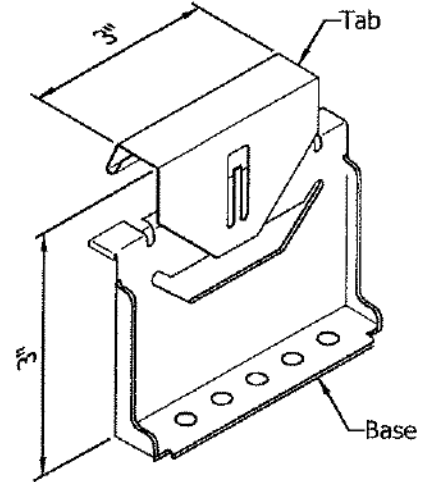
8.0 STANDARD PARTS

FIXED CLIP (for 0" stand-off)
 • 20 ga. Galvanized Steel



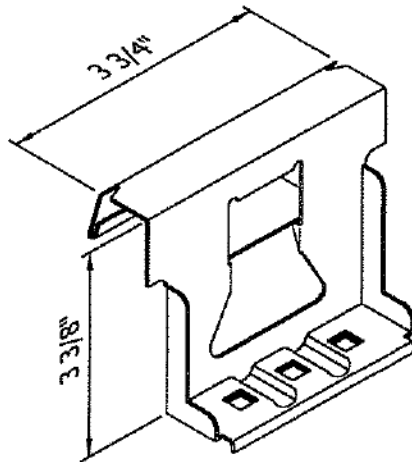
Part No. FC461

FLOATING CLIP (for 0" stand-off)
 • 20 ga. Galvanized Steel, Tab
 • 16 ga. Galvanized Steel, Base



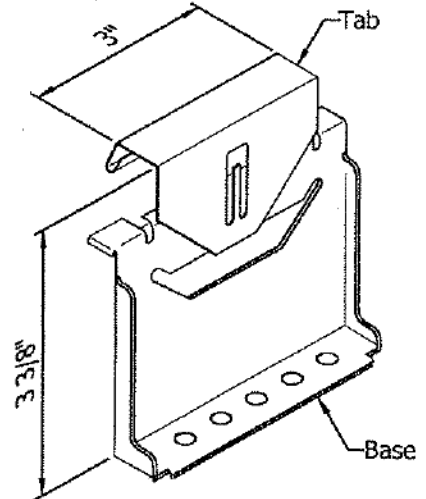
Part No. C461

FIXED CLIP (for 3/8" stand-off)
 • 20 ga. Galvanized Steel



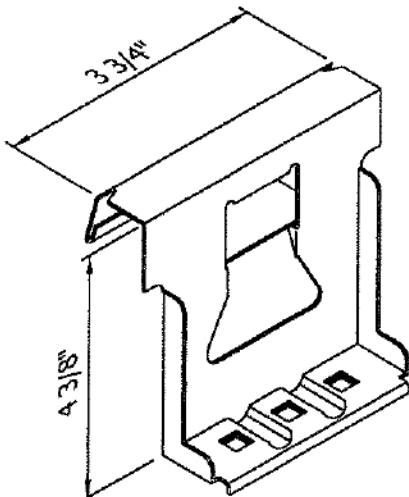
Part No. FC462

FLOATING CLIP (for 3/8" stand-off)
 • 20 ga. Galvanized Steel, Tab
 • 16 ga. Galvanized Steel, Base



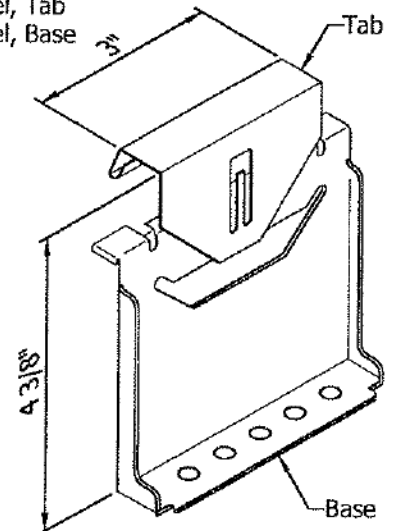
Part No. C462

FIXED CLIP (for 1 3/8" stand-off)
 • 20 ga. Galvanized Steel



Part No. FC463

FLOATING CLIP (for 1 3/8" stand-off)
 • 20 ga. Galvanized Steel, Tab
 • 16 ga. Galvanized Steel, Base

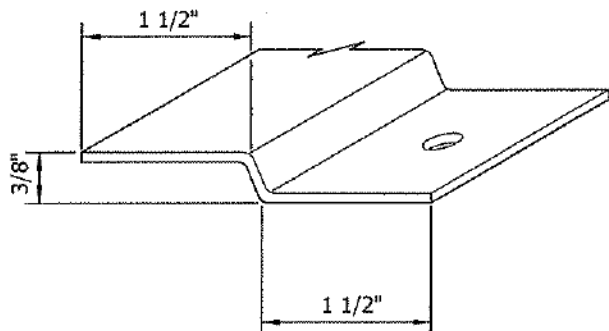


Part No. C463

8.0 STANDARD PARTS

EAVE PLATE (for 3/8" stand-off)

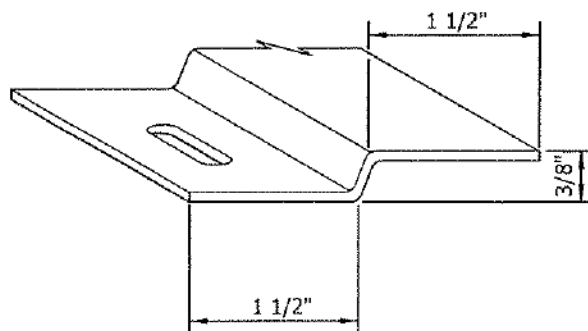
- 16 ga., 50 ksi Galvanized Steel
- 10'-0" length
- Factory punched holes



Part No. EP038

FLOATING RAKE PLATE (for 3/8" stand-off)

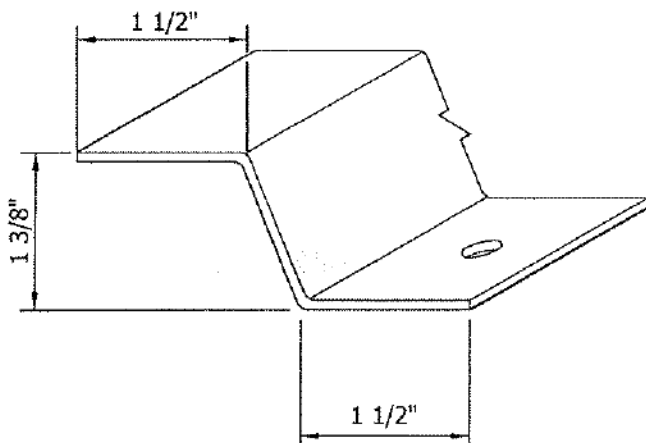
- 16 ga., 50 ksi Galvanized Steel
- 10'-0" length
- Factory punched slots



Part No. RP038

EAVE PLATE (for 1 3/8" stand-off)

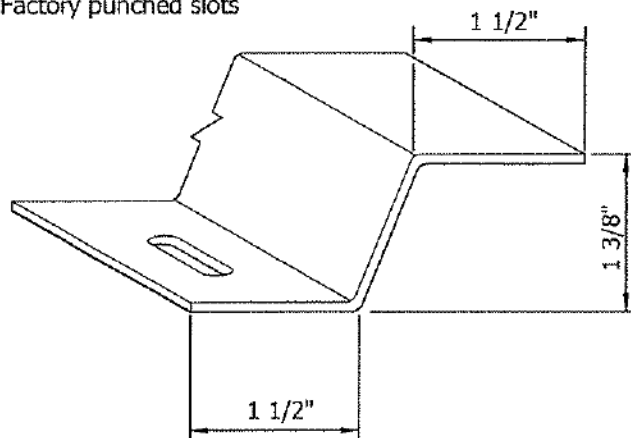
- 16 ga., 50 ksi Galvanized Steel Min.
- 10'-0" length
- Factory punched holes



Part No. EP138

FLOATING RAKE PLATE (for 1 3/8" stand-off)

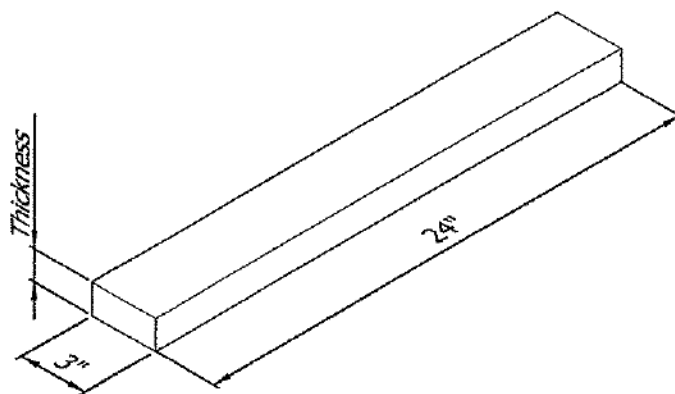
- 16 ga., 50 ksi Galvanized Steel Min.
- 10'-0" length
- Factory punched slots



Part No. RP138

THERMAL BLOCK (for 24" wide panel)

- Extruded Polystyrene Foam
- 3/8", 5/8", or 1" Thick



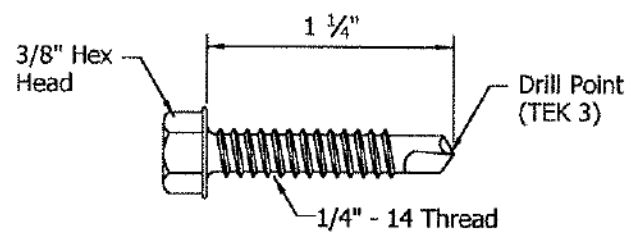
Part No. SB324 (Specify thickness)

8.0 STANDARD PARTS

CLIP FASTENER

(for panel clip & eave plate attachment to steel purlins)

- 1/4"-14 x 1 1/4" hex head, Self Drilling Screw (without washer)
- Corrosion resistant plating

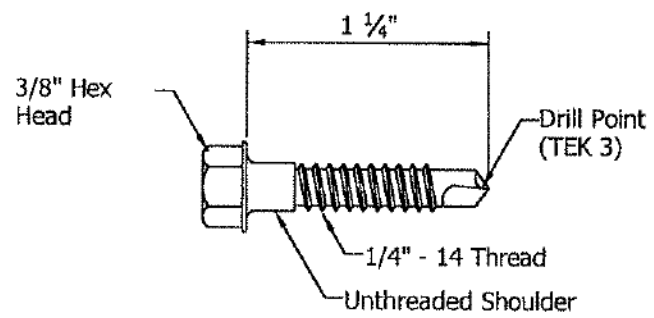


Part No. CF1

SHOULDER FASTENER

(for floating rake plate attachment to steel purlins)

- 1/4"-14 x 1 1/4" hex head, Self Drilling Screw
- Shoulder feature
- Corrosion resistant plating

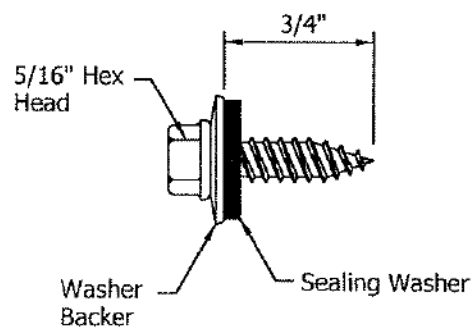


Part No. SF1

TRIM FASTENER

(for flashing attachment)

- #12 x 3/4" Pierce Point Screw
- EPDM Sealing Washer
- Corrosion resistant coating or alloy head
- Painted or mill finished head

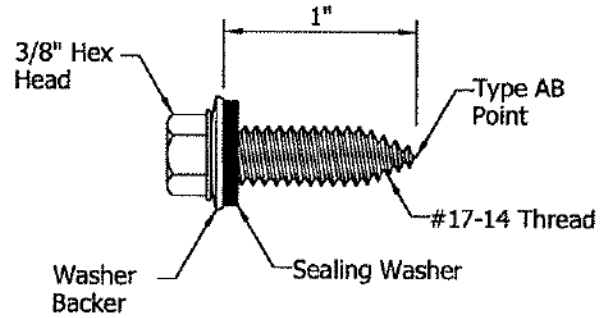


Part No. RF3 (Specify finish)

ENDLAP FASTENER

(for panel endlap attachment)

- #17-14 x 1" Self Tapping Screw
- EPDM Sealing Washer
- Corrosion resistant coating or alloy head
- Painted or mill finished head

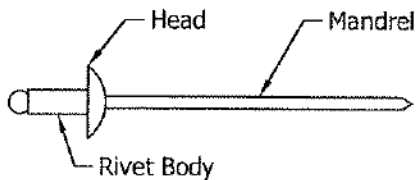


Part No. RF1 (Specify finish)

BLIND RIVET

(for flashing joints)

- Stainless steel
- 1/8" dia. x 3/16" length

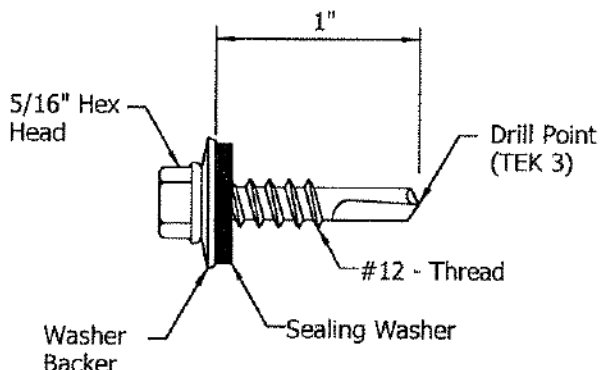


Part No. RF4

ROOF FASTENER

(for panel eave attachment)

- #12 x 1" hex head, Self Drilling Screw
- EPDM Sealing Washer
- Corrosion resistant coating or alloy head
- Painted or mill finished head



Part No. RF2 (Specify finish)

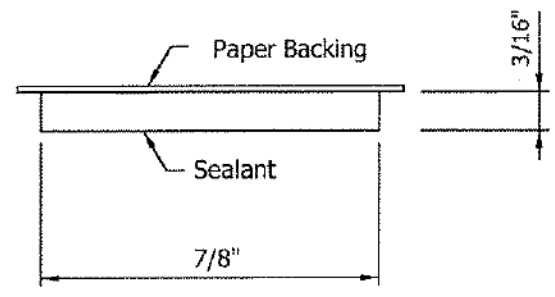


8.0 STANDARD PARTS

FLASHING SEALANT

(for flashing laps & joints)

- 3/16" x 7/8" Butyl Tape Sealant
- 30' Roll

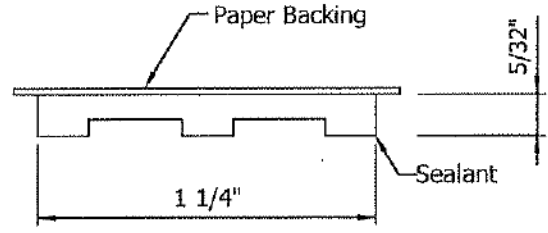


Part No. RS2

ENDLAP SEALANT

(for roof panel endlaps)

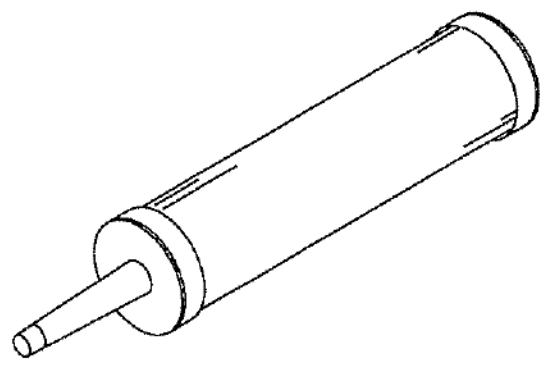
- 5/32" x 1 1/4" profiled Butyl Tape Sealant
- 30' Roll



Part No. RS1

TUBE SEALANT

- Urethane Gun Grade Sealant
- Clear
- 1/10 Gal. Tubes



Part No. RS3

9.0 ROOF INSTALLATION DETAILS

9.1 GENERAL

The following details provide graphic illustration of the roof assembly steps. The purpose is to instruct the erector in correct and efficient assembly of the roof system.

Because of the many variations in conditions, it is important that you review the job to identify and isolate the specific installation details required for your job.

Review the erection drawings for differences with these details. If differences exist, the erection drawings have precedence.

These details are arranged in a step-by-step sequence. Following this sequence ensures correct assembly and ensures that the part to be worked on will be readily accessible for the next assembly step.

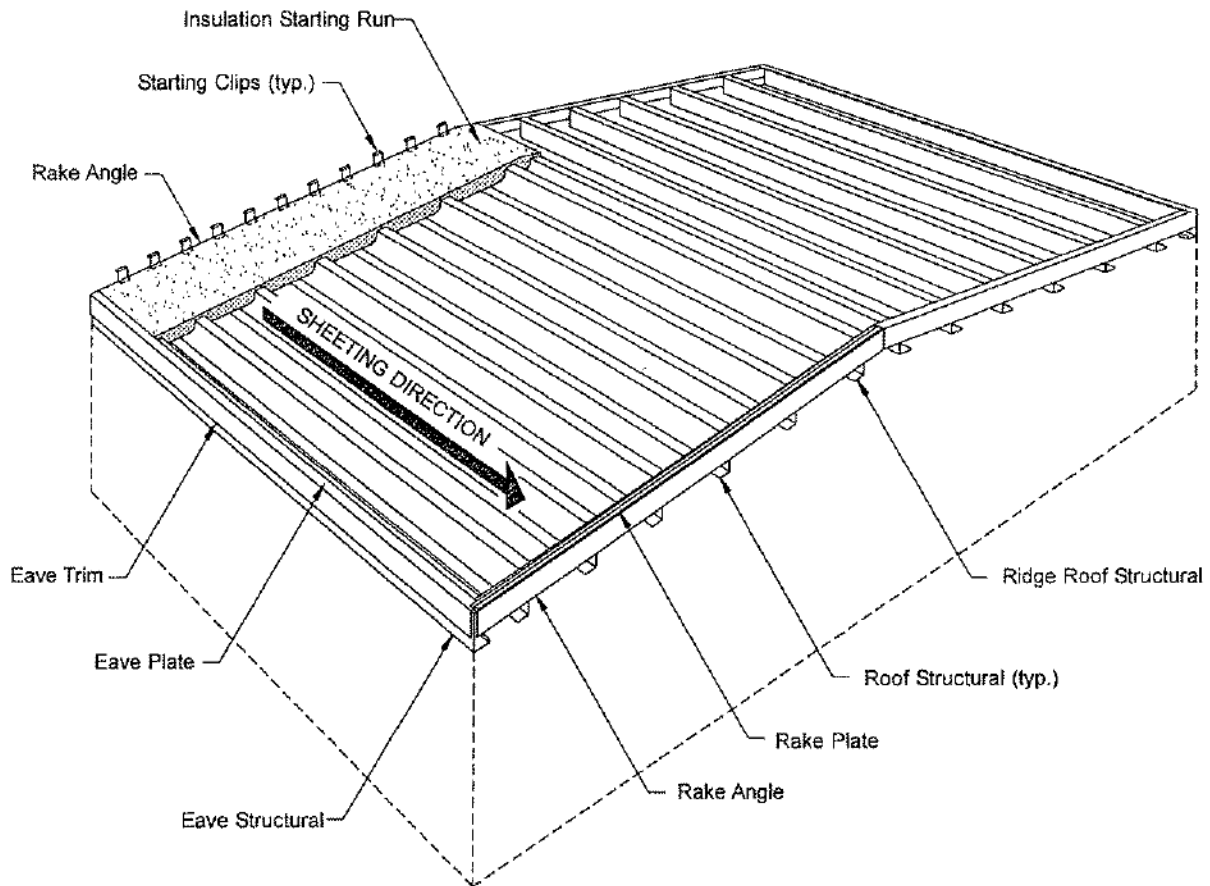
Do not shortcut these assembly steps without careful consideration of the possibility of incorrect or omitted assembly and the resulting corrective rework.

To minimize confusion, the details are always oriented so that the view is from eave to ridge, with the starting rake at the left and finish rake at the right. Refer to the erection drawings to determine the required sheeting direction and rake conditions.

To help ensure weathertightness, the details emphasize proper fit-up, sealing and fastening. It is most important that only the specified sealants and fasteners be used for each condition and that they be installed correctly as shown on these details and the erection drawings.

Be sure that these critical instructions are reviewed often and the roof assembly is checked at each assembly step.

9.2 PREPARATION FOR ROOF PANEL INSTALLATION



The details in this section will show the installation of the eave plate, rake plate, start clips, eave trim, eave sealant and the first run of insulation. These are parts that must be installed before the roof panel installation can begin.

This view shows the roof system oriented for a left-to-right sheeting direction. For right-to-left sheeting, reverse the parts orientation.

On this view, the starting rake is shown with starting clips (for a starting panel) and the finish rake is shown with a rake plate (for a termination panel). Some buildings may require a rake plate at the starting rake. Refer to the erection drawings for the required rake conditions.



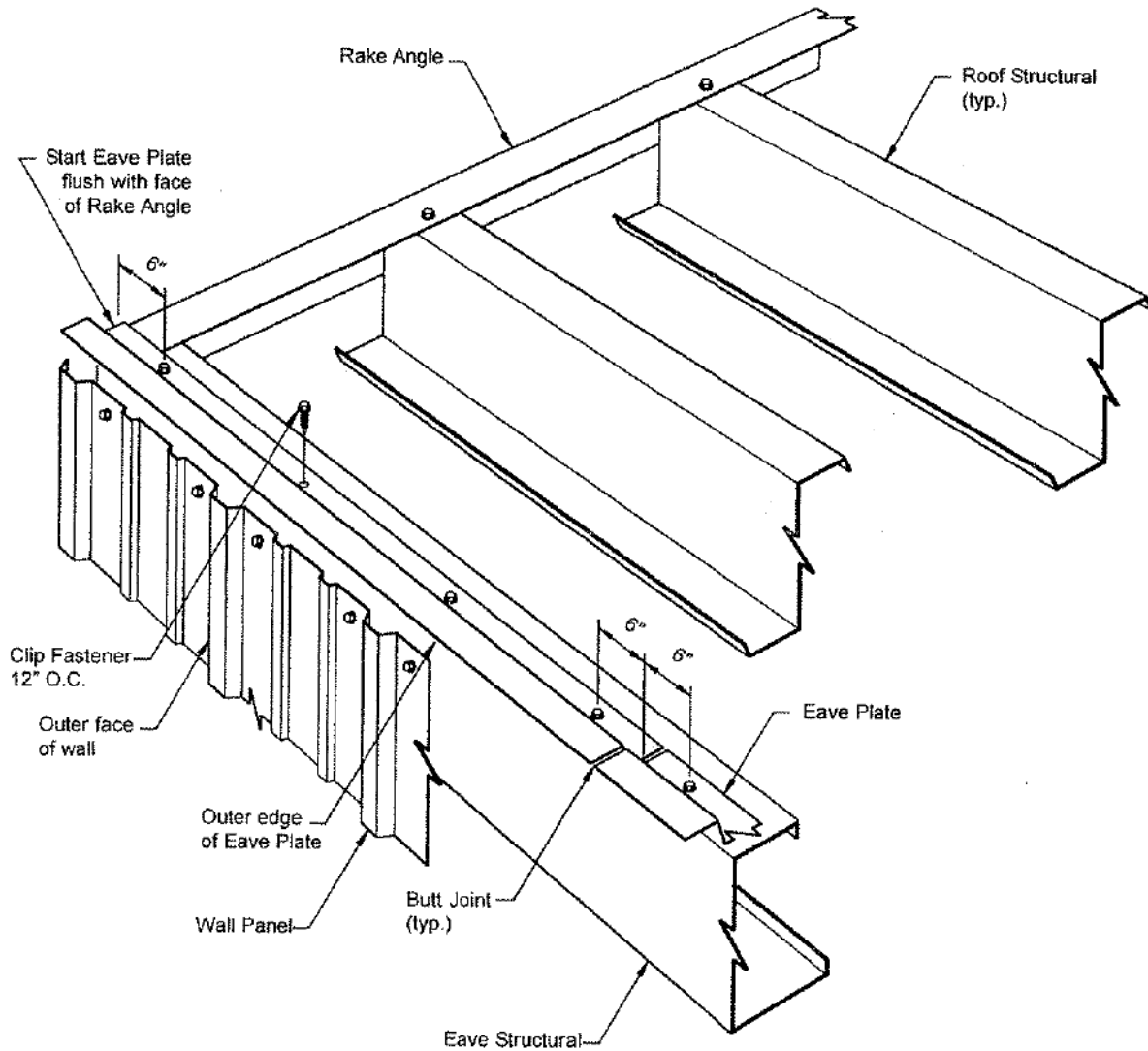
9.2.1 ORIENTATION VIEW

Page 23

Dwg: C906.069

Date: 10-15-2002

9.2 PREPARATION FOR ROOF PANEL INSTALLATION



The eave plate provides a solid attachment surface for the eave end of the roof panel.

The eave plate must be installed before the roof insulation is placed over the structurals.

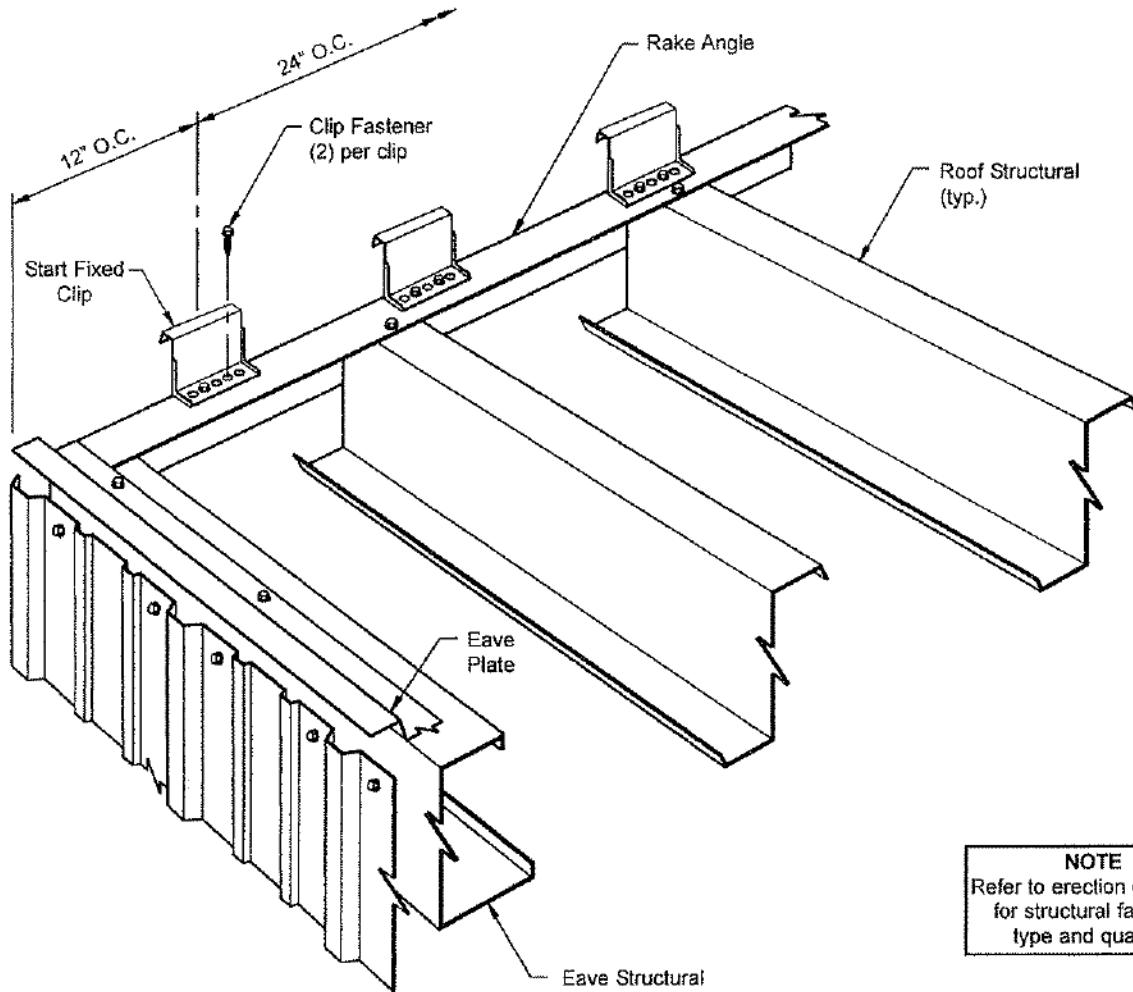
Before installing the eave plate, check that the eave structural members are in a straight alignment from rake to rake. Shim the eave plate as necessary to provide a level roof line.

Install the starting and finish ends of the eave plates flush with outer face of rake angle.

Install the outer edge of the eave plate flush with the outside face of the wall panel.

Tightly butt join the eave plates and fasten to the eave structural as shown.

9.2 PREPARATION FOR ROOF PANEL INSTALLATION



NOTE
Refer to erection drawings
for structural fastener
type and quantity

The appropriate height fixed clips are used as start clips.

Refer to the erection drawings and the structural layout (as described in Section 6.2) to determine the start clip location.

The position of the start clips establishes the starting roof panel alignment. It is very important that the start clips are installed in a straight line, parallel to the rake line.

If the rake angles have been installed true and square, the edge of the rake angle can be used to align the start clips.

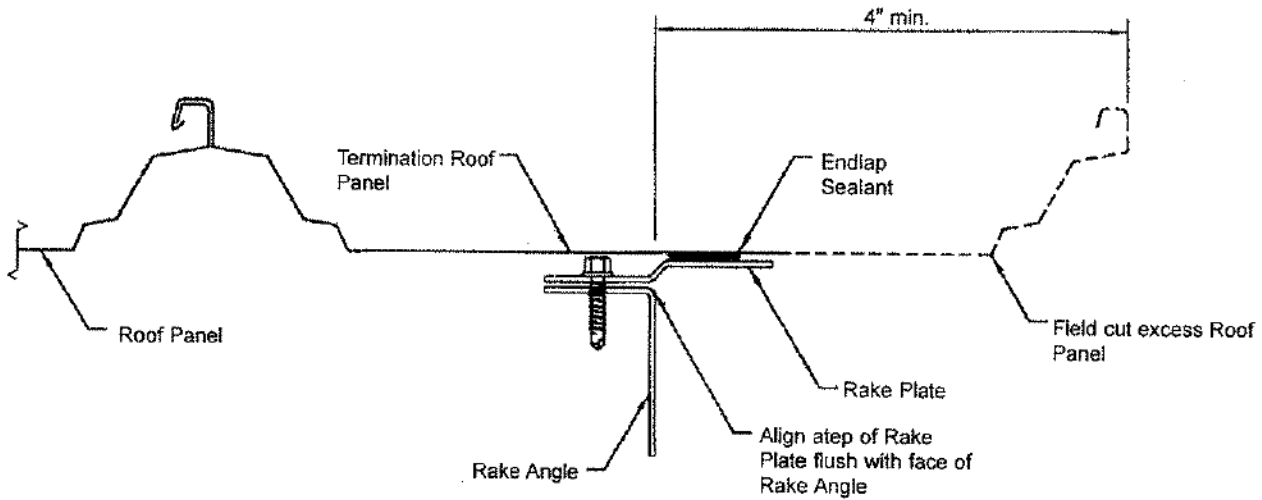
If the rake angle is not true and square, a chalk line should be used to guide the installation of the start clips.

Locate the start clips at the spacing shown and fasten to the rake angle as shown.

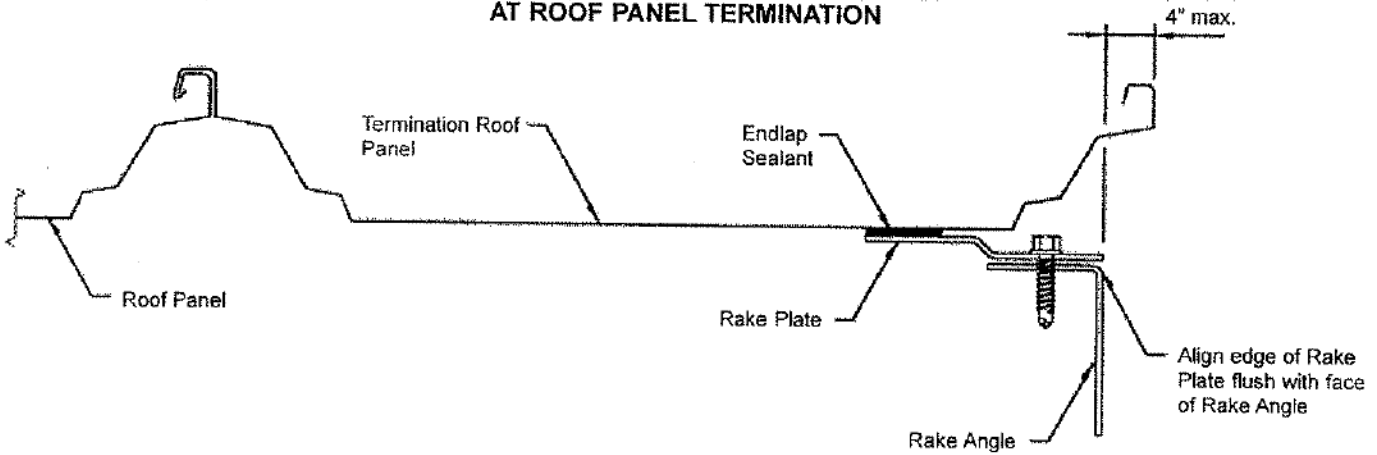


9.2.3 INSTALL START CLIPS

9.2 PREPARATION FOR ROOF PANEL INSTALLATION



STANDARD RAKE PLATE POSITION AT ROOF PANEL TERMINATION



ALTERNATE RAKE PLATE POSITION AT ROOF PANEL TERMINATION

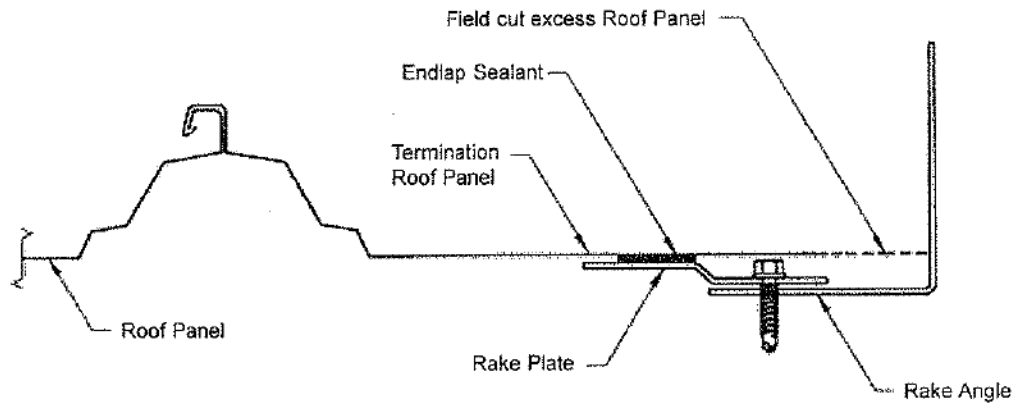
Refer to the erection drawings to determine which position to place the rake plate. The position of the rake plate will depend on the location of the termination roof panel as shown on the above illustrations.

If the leading edge of the panel extends 4" or more beyond the face of the rake angle, install the rake plate in the standard position.

If the leading edge of the panel extends less than 4" beyond the face of the rake angle, install the rake plate in the alternate position.

If the rake condition requires transition flashing, refer to the following page.

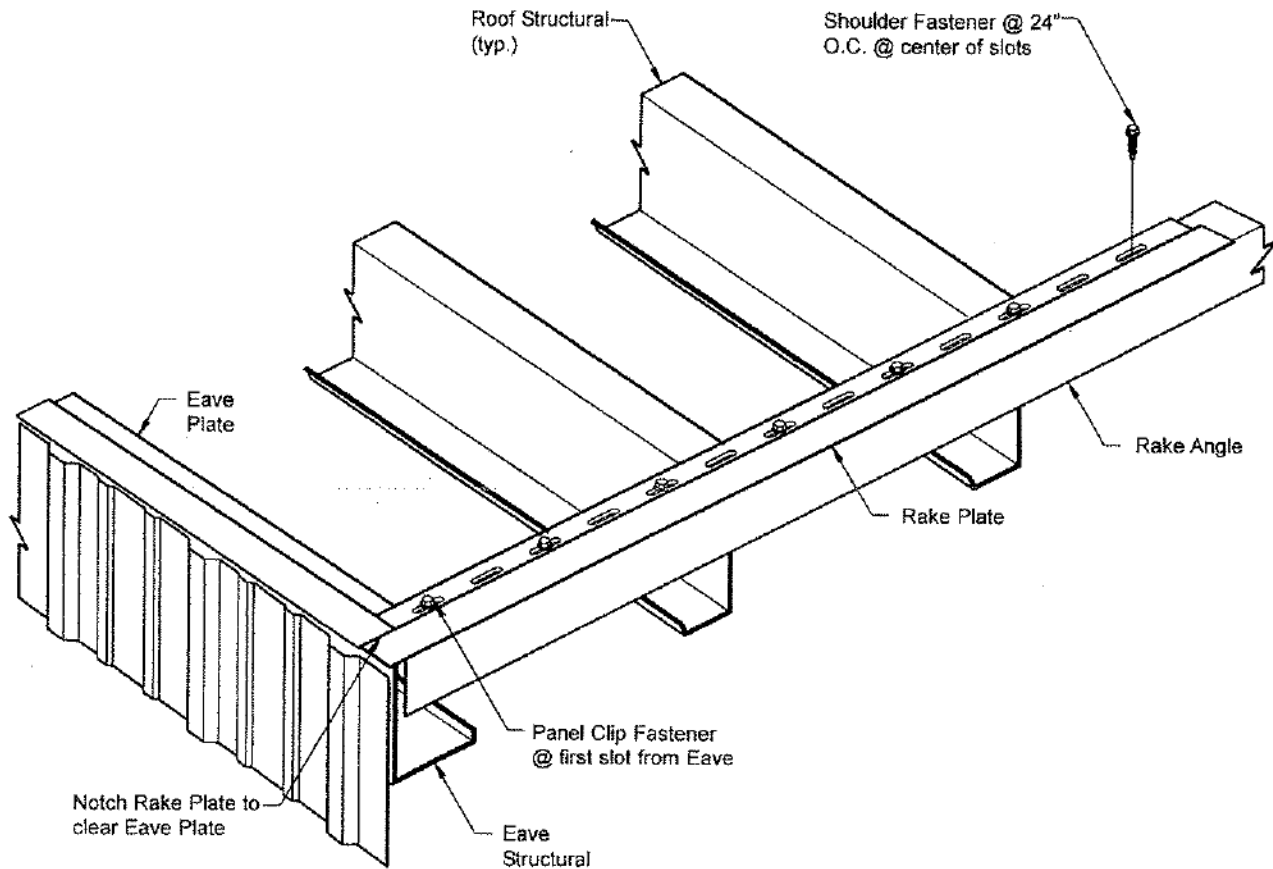
9.2 PREPARATION FOR ROOF PANEL INSTALLATION



ALTERNATE PLATE POSITION AT RAKE TRANSITION

For rake transition conditions, position rake plate as shown. Refer to the erection drawings for the required spacing of the rake plate from the face of the rake angle.

9.2 PREPARATION FOR ROOF PANEL INSTALLATION



It is important that the rake plate is installed in a straight line and parallel to the rake line.

If the rake angles have been installed straight and true, the edge of the rake angle can be used to align the rake plate.

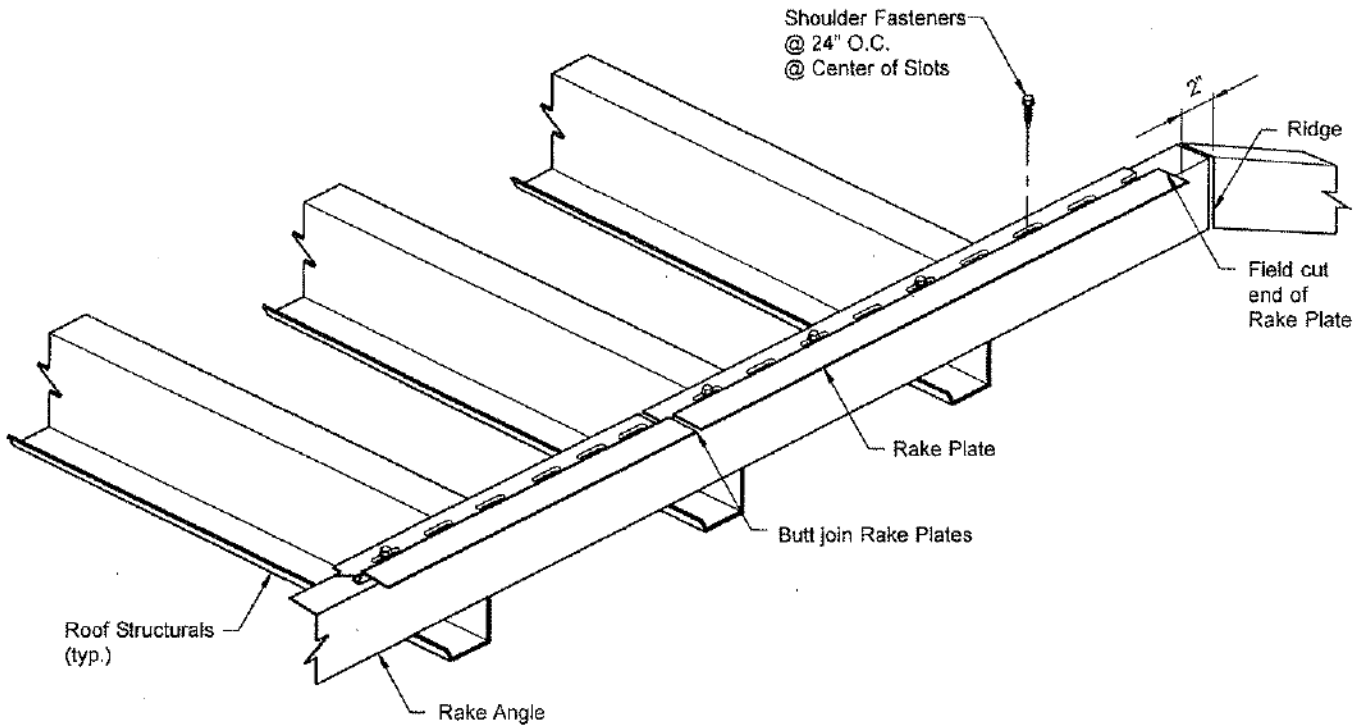
If the rake angle is not true and square, a chalkline should be used to guide the installation of the rake plate.

Start the end of the rake plate flush with the outer edge of the eave plate. Notch the bottom flange of the rake plate to clear the eave plate.

Secure the starting end of the rake plate to the rake angle with a panel clip fastener in the rake plate's first slot.

To allow for expansion/contraction movement, secure the rest of the rake plate run to the rake angle with shoulder fasteners spaced as shown. Install the shoulder fasteners in the center of the slots.

9.2 PREPARATION FOR ROOF PANEL INSTALLATION

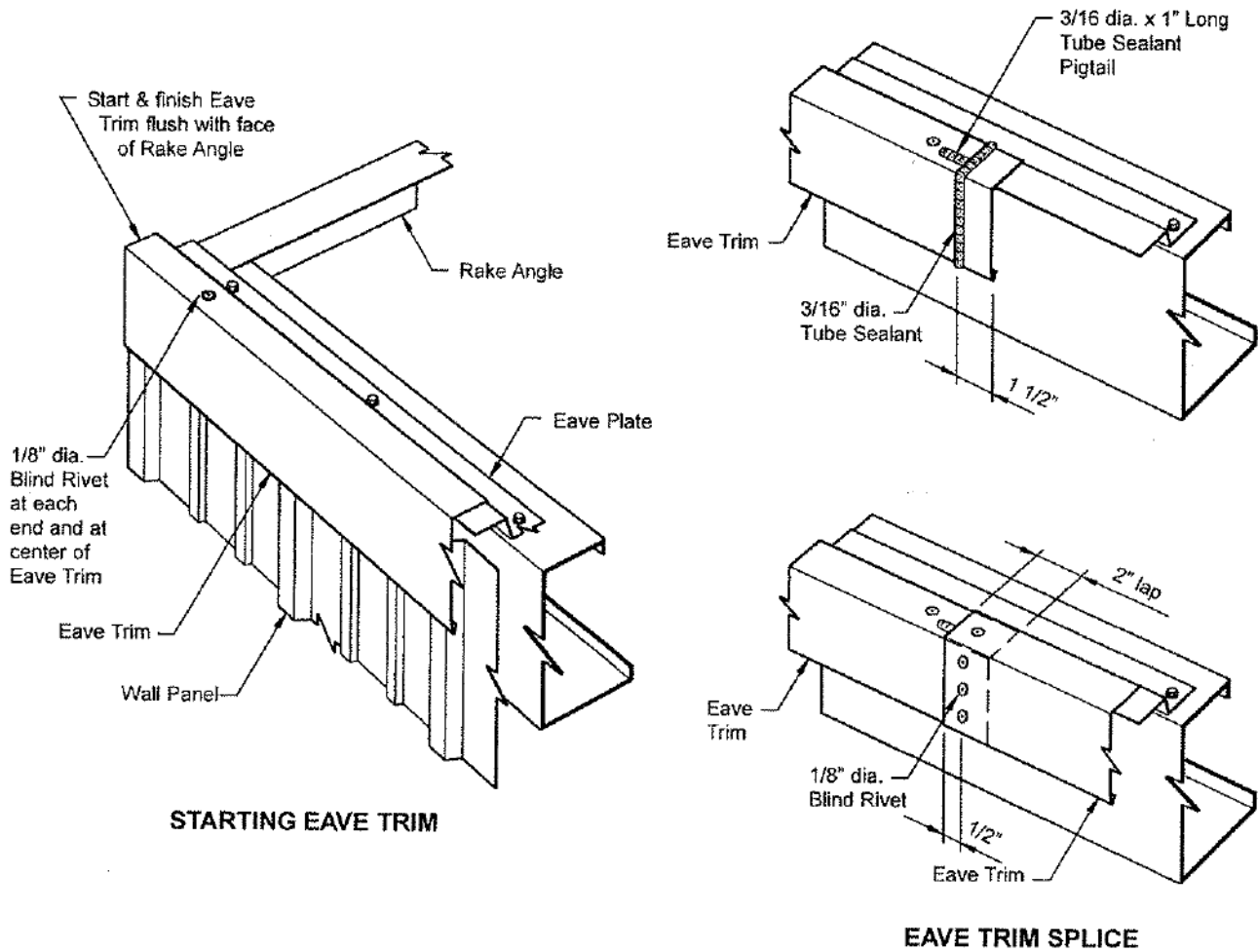


Butt join the ends of the rake plate and angle. Install the shoulder fasteners in the slots on either side of the butt joints.

Field cut the last rake plate two inches (2") from the ridge line or high eave line.



9.2 PREPARATION FOR ROOF PANEL INSTALLATION



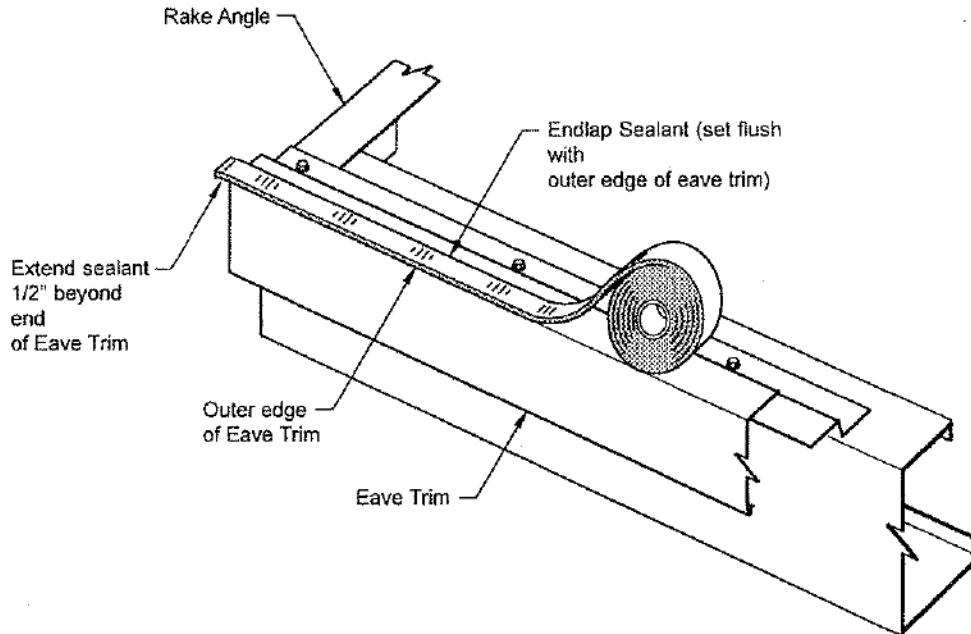
Place the upper lip of the eave trim over the eave plate as shown and align the face of the eave trim with the face of the wall panel.

Install the starting and finish ends of the eave trim flush with the ends of the eave plate.

The eave trim provides a water seal between the roof panel and the wall panels. All laps of the eave trim must be sealed with tube sealant and rivets as shown, to minimize water entry.

Fasten each piece of eave trim to the eave plate with three blind rivets. The rivets will hold the trim in position until the roof panels are installed and fastened.

9.2 PREPARATION FOR ROOF PANEL INSTALLATION



Apply a continuous strip of endlap sealant along the top edge of the eave trim.

Align the outer edge of the sealant flush with the outer edge of the eave trim.

Do not remove the paper backing from the sealant at this time.

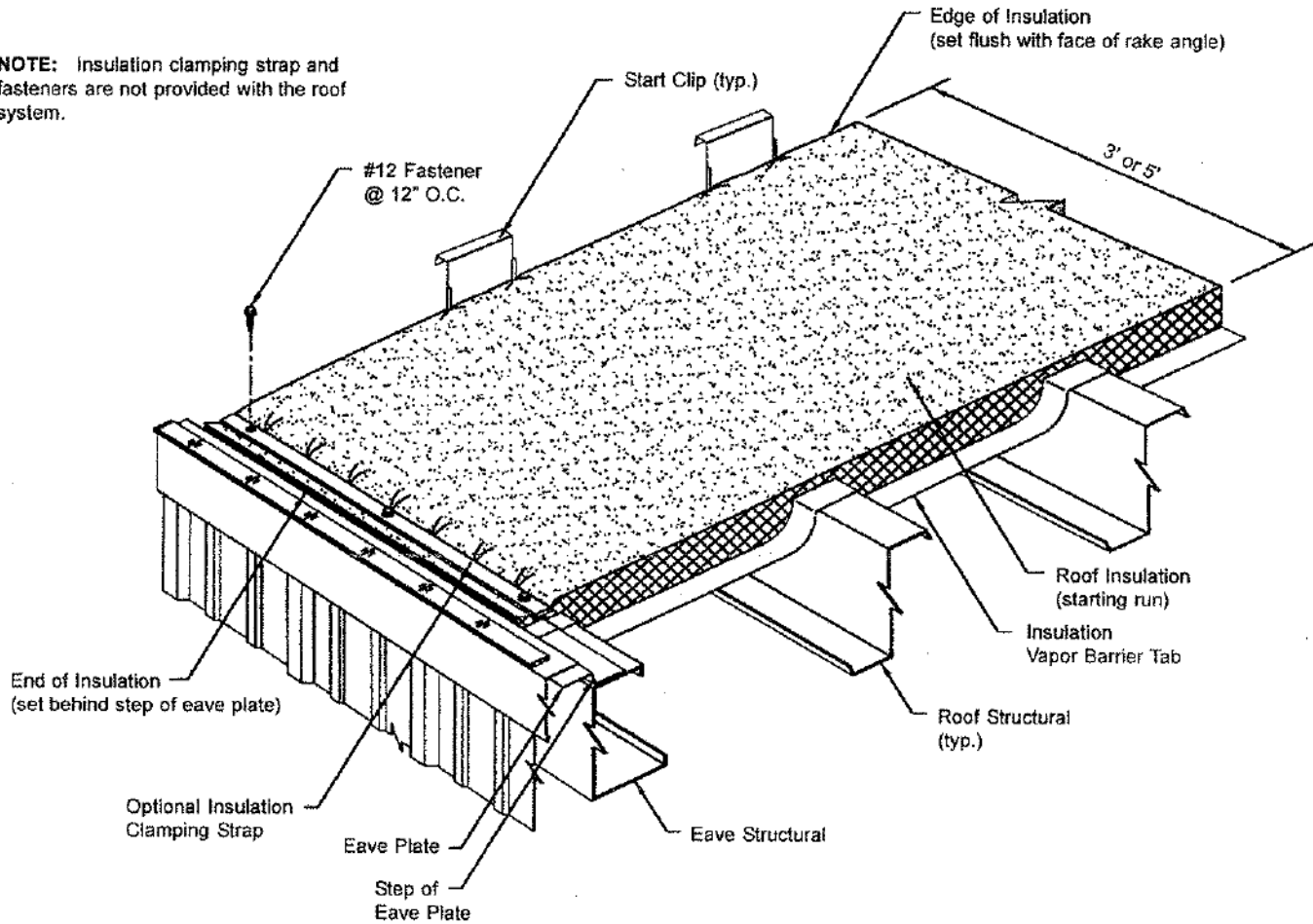
Until the roof panels are installed, the eave sealant is vulnerable to damage from foot traffic or dragging material over the eave. Do not step on or otherwise damage the sealant.

9.2.9 INSTALL EAVE SEALANT



9.2 PREPARATION FOR ROOF PANEL INSTALLATION

NOTE: Insulation clamping strap and fasteners are not provided with the roof system.



Refer to the erection drawings to determine the specific insulation required for the project. In all cases refer to the insulation manufacturer's instructions for proper insulation installation and vapor seal assembly. This detail shows fiberglass blanket insulation, which is the most commonly used insulation for metal standing seam roofs.

The leading edge of each insulation run should extend approx. 12" beyond the leading edge of the roof panel. This will allow for easy assembly of the vapor barrier seal between insulation runs.

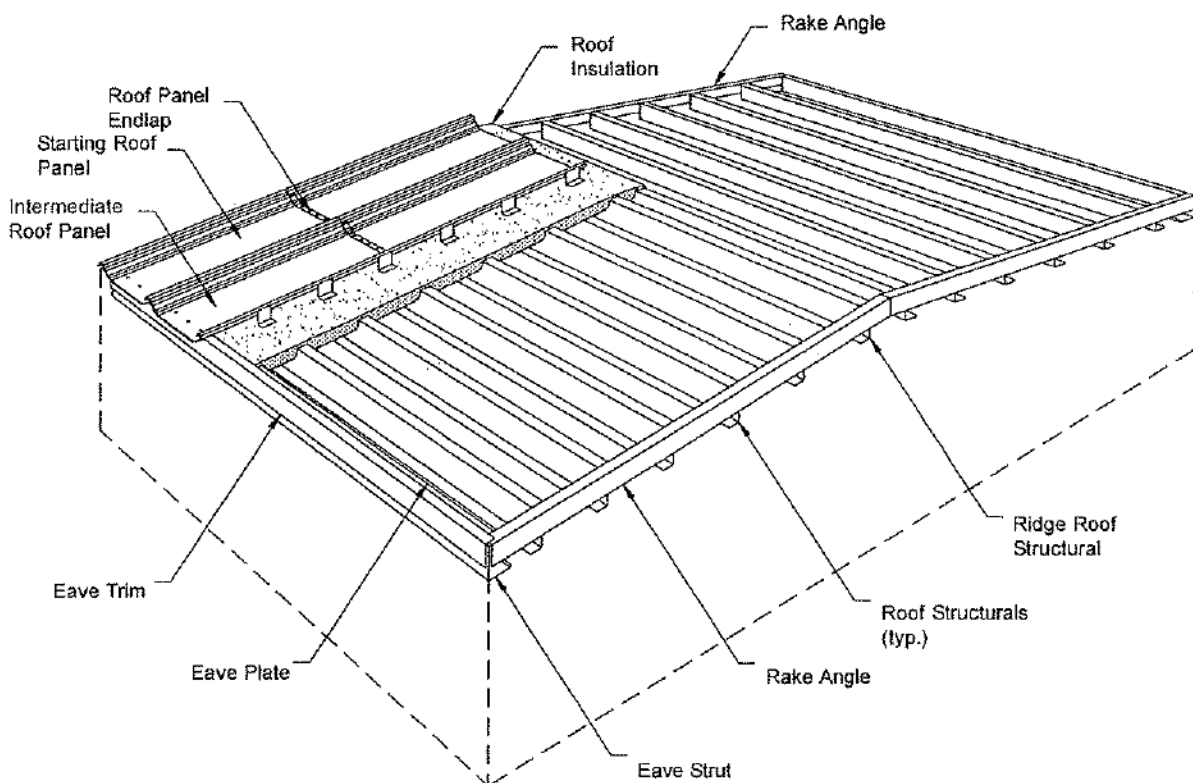
With four foot or six foot wide insulation, the first run should be installed to only cover three feet or five feet respectively.

The extra foot of width can be cut or lapped over the rake.

Use double-faced tape along the backside of the eave strut and along the rake angle to hold the insulation in place until the roof panel is installed.

In high wind areas or when using high stand-off clips, use the metal insulation retainer straps to secure the insulation to the low flange of the eave plate. In all cases do not extend the end of the insulation over the high flange of the eave plate and the eave sealant.

9.3 ROOF PANEL INSTALLATION



The details in this section show the installation of the starting and intermediate roof panels.

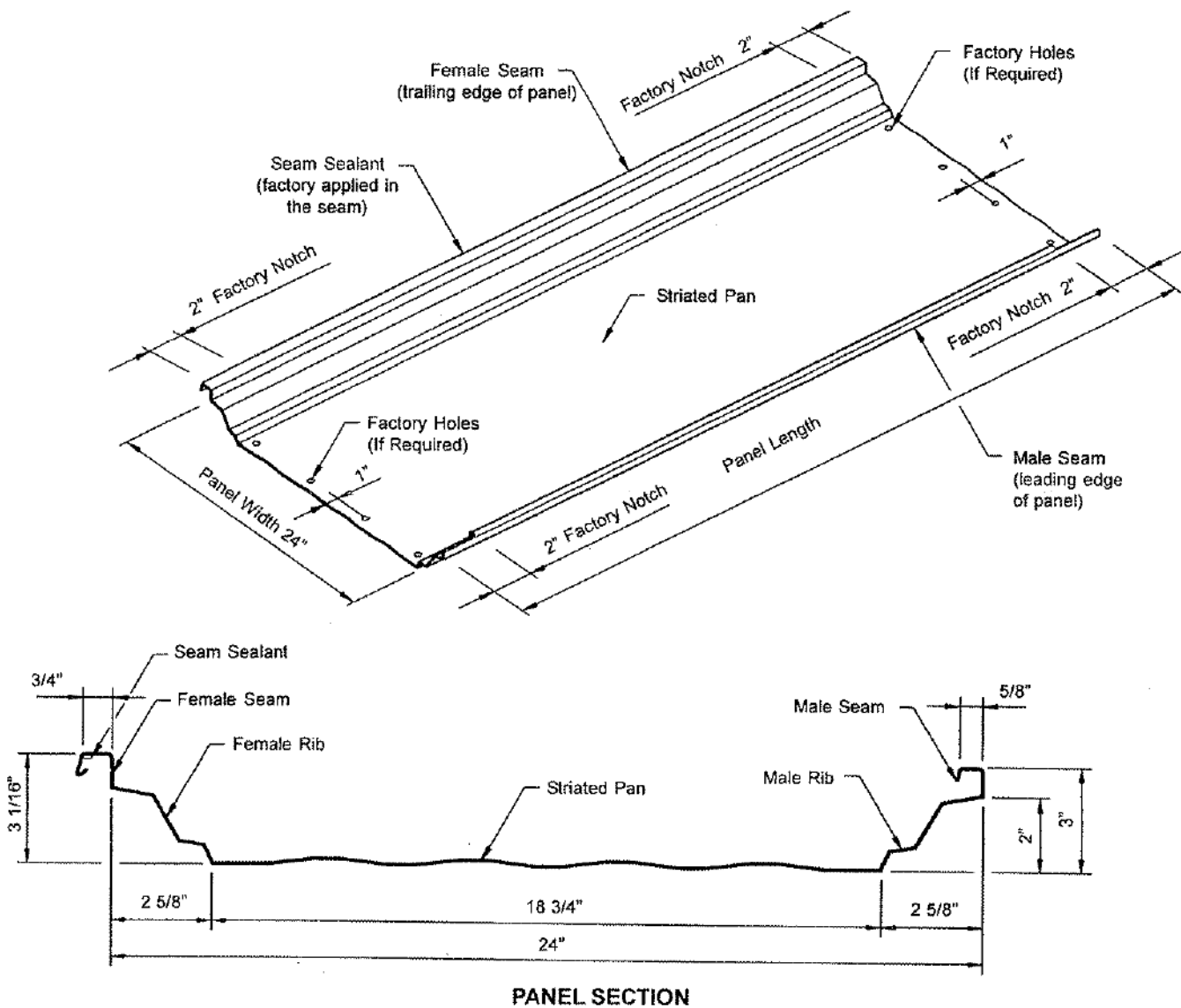
The termination roof panels require specific installation and are shown in a later section.

The roof panel endlap details are shown as an integral part of the roof panel installation. If the project does not require roof panel endlaps, the endlap details are clearly identified and can be deleted.

9.3.1 ORIENTATION VIEW



9.3 ROOF PANEL INSTALLATION



Throughout these instructions the references to the panel will be made using the terms shown on the above illustration.

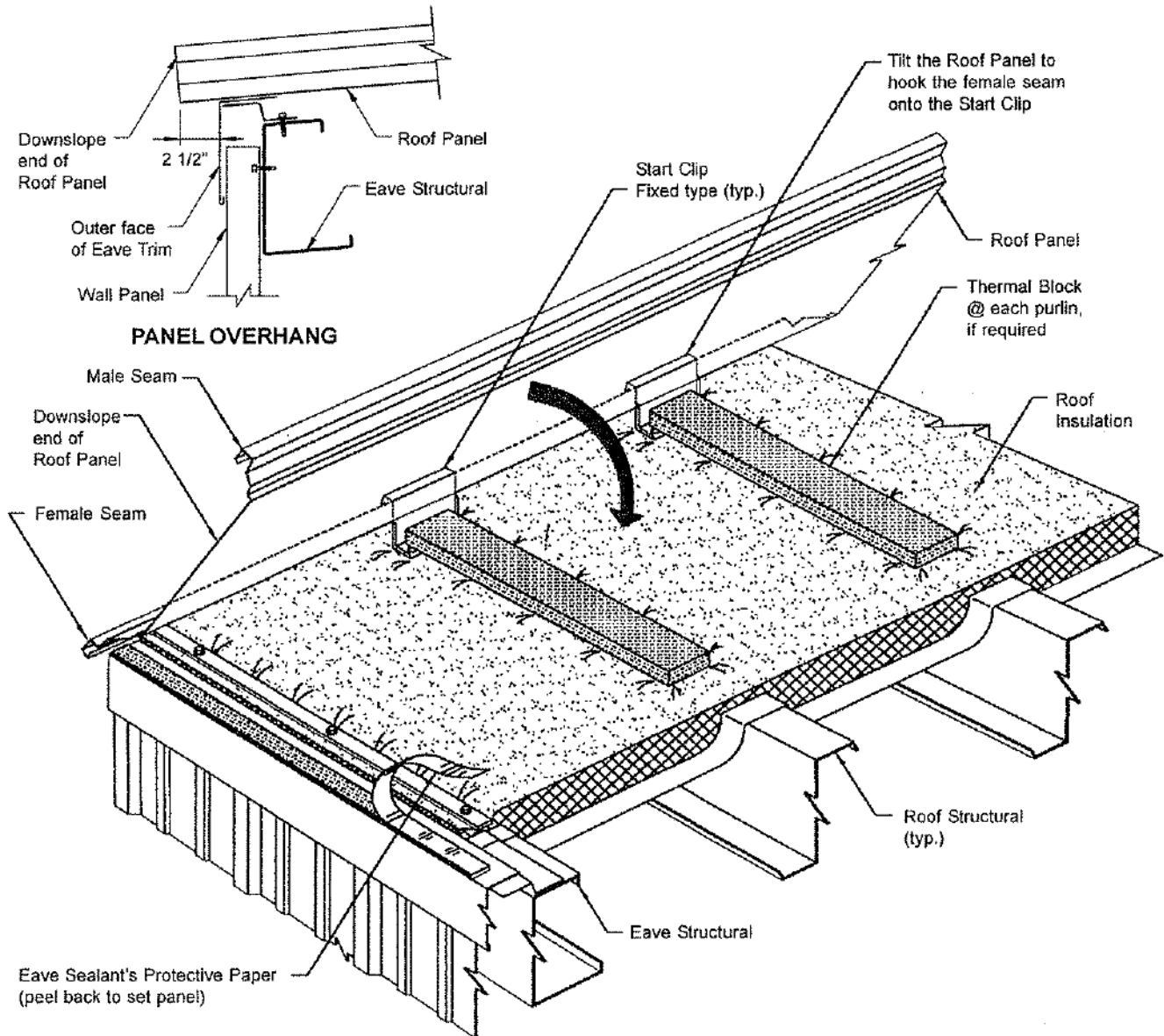
The Ludwig Buildings Inc. roof panel is designed, so it can be sheeted in either direction, (left-to-right) or (right-to-left). Check the erection drawings and job conditions to determine if the roof must be sheeted in a specific direction.

The leading edge of the roof panel is the edge towards the sheeting direction. On the Ludwig Buildings Inc. roof panel, the male seam is always the leading edge.

Before loading the panels onto the roof structurals, orient the panels so that the male seam is the leading edge.



9.3 ROOF PANEL INSTALLATION



The roof panel's eave overhang dimension is critical as it establishes the location of endlaps and ridge cover attachment points.

The edge of the roof panel extends 2 1/2" beyond the face of the eave trim, unless another dimension is specified on the erection drawings.

If insulation Thermal blocks are required, place the blocks on top of the insulation, directly over the roof structurals. Thermal blocks are not required at the eave structural.

Position the edge of the panel over the start clips fixed type and position the end of the panel 2 1/2" beyond the face of the eave trim.

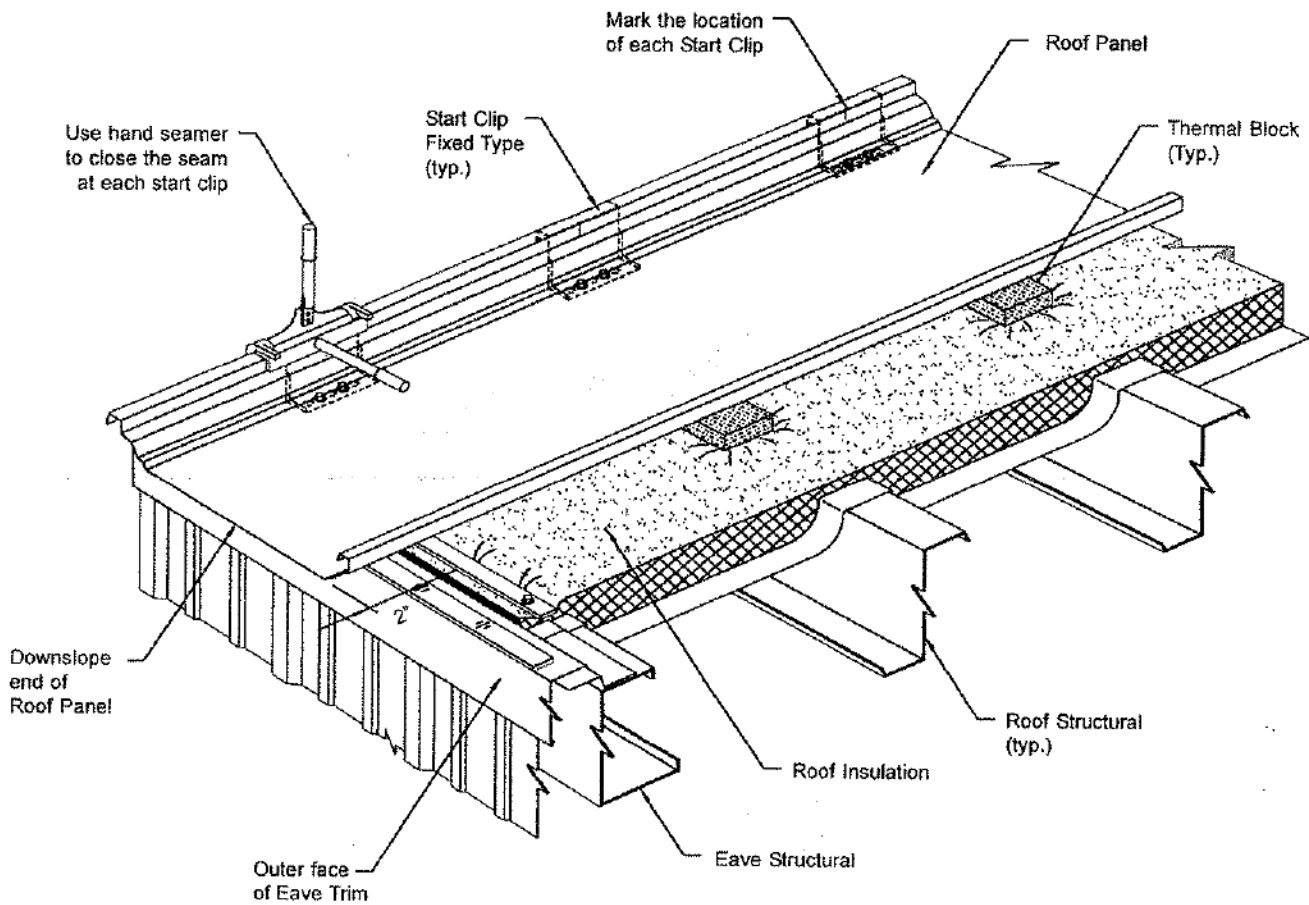
Tilt the panel as shown, so the female seam can be hooked over the start clips. Check that each clip is hooked inside of the seam.

Do not remove the eave sealant's protective paper at this time.



9.3.3 INSTALL STARTING ROOF PANEL

9.3 ROOF PANEL INSTALLATION



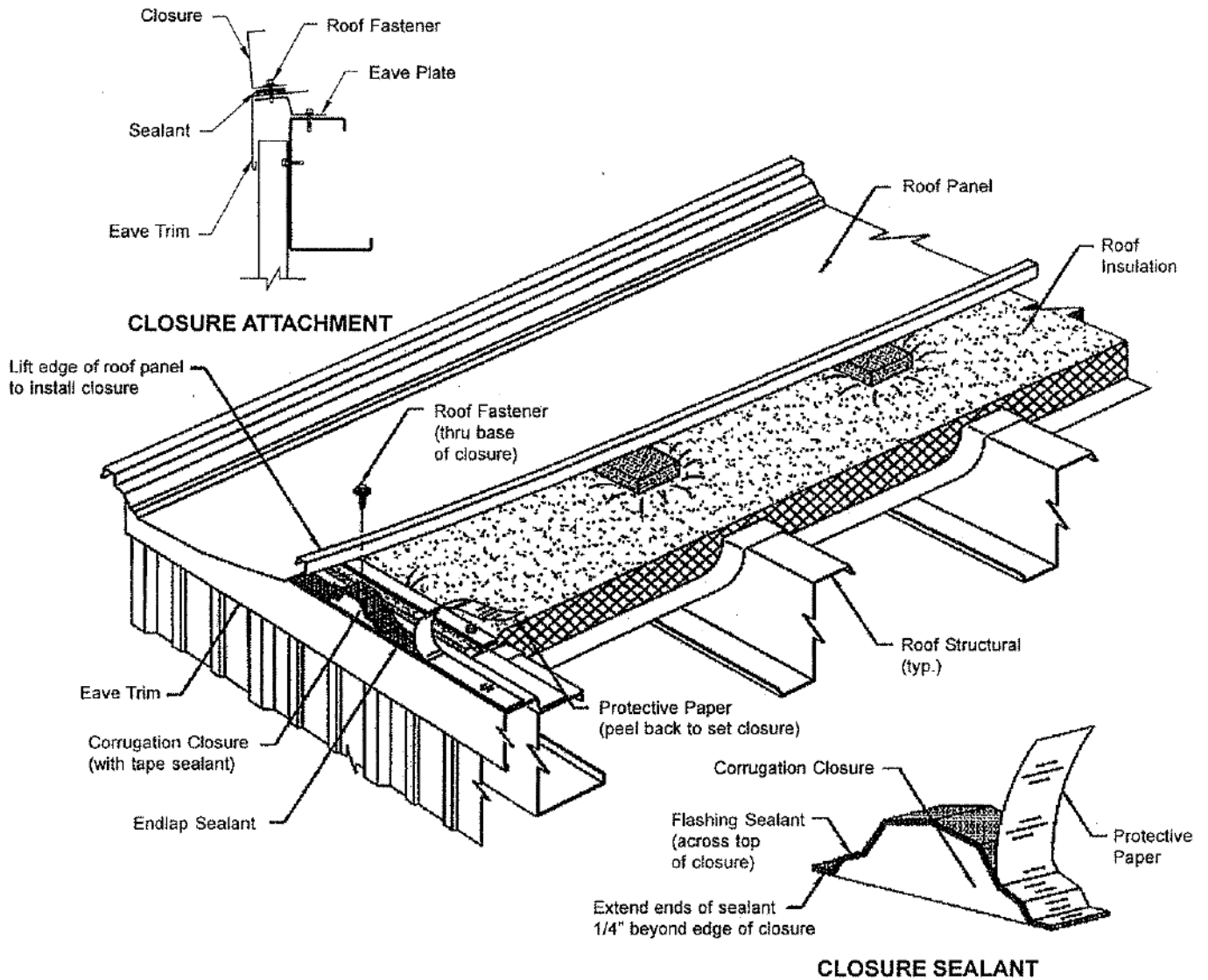
Rotate the panel down to rest on the Thermal blocks or insulation.

Verify that the roof panel's overhang dimension is correct and verify that the roof panel is aligned parallel to the rake line.

Using the hand seaming tool, close the panel seam over each start clip. For proper operation of the seaming tool, refer to the Seaming Instructions section.

Mark the roof panel's vertical leg at each clip location. This will guide the later installation of the rake trim fasteners.

9.3 ROOF PANEL INSTALLATION



Prepare the corrugation closures by applying flashing sealant along the top surfaces as shown in the above illustration. Remove the protective paper.

Peel back the protective paper from the eave sealant as shown.

Pick up the corner of the roof panel and place the closure into the panel corrugation and on top of the eave sealant.

Check that the closure is centered to the roof panel's edge.

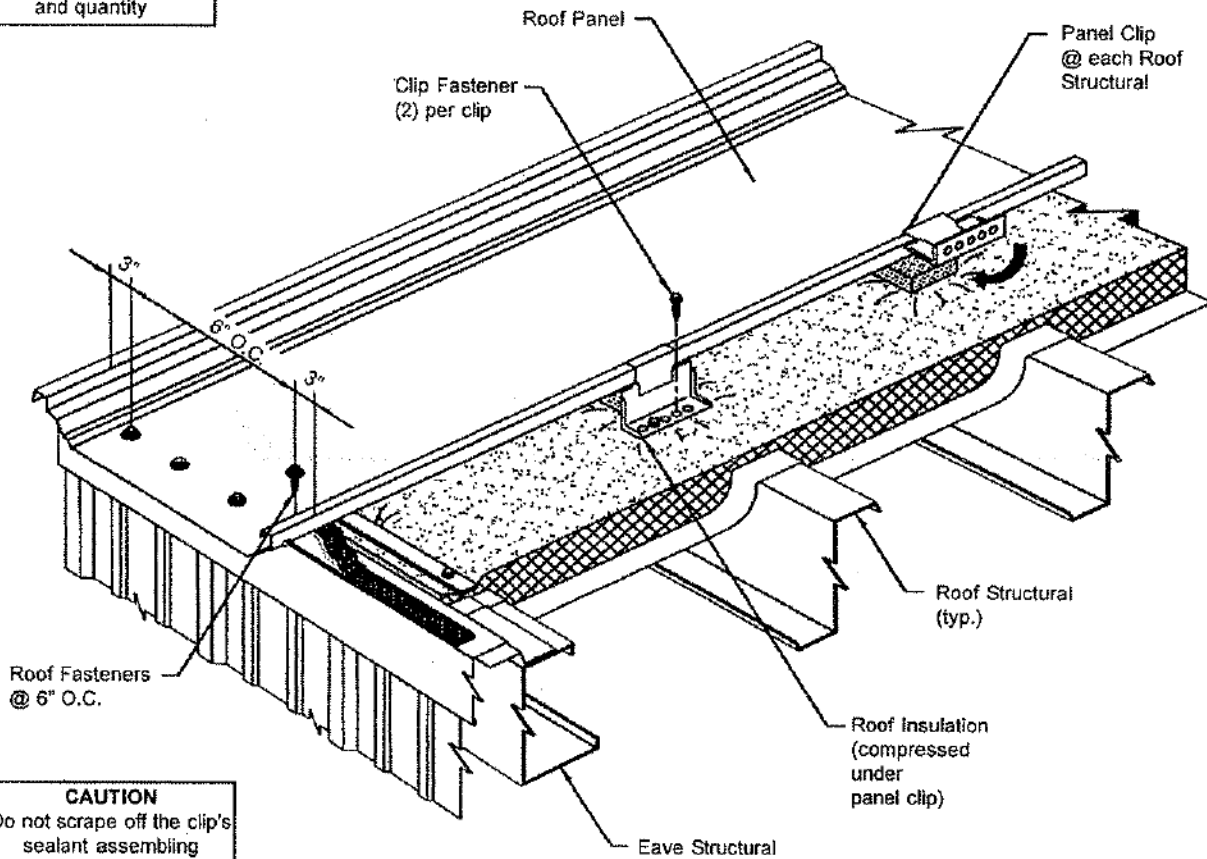
Fasten the closure to the eave plate with a roof fastener installed through the hole in the base of the closure.



9.3.5 INSTALL EAVE CLOSURE

9.3 ROOF PANEL INSTALLATION

NOTE
Refer to erection drawings
for clip fastener type
and quantity



CAUTION
Do not scrape off the clip's
sealant assembling
to the roof panel.

Before fastening the roof panel to the eave plate and fastening the leading edge of the panel with the panel clips, check that the panel coverage is correct and the leading edge of the panel is straight and parallel to the rake line.

Fasten the eave end of the panel with (4) roof fasteners, spaced 6" O.C. as shown.

Position the fasteners to penetrate through the center of the sealant, through the eave trim and into the eave plate.

Install roof panel clips to the leading edge of the roof panel, at each roof structural. Panel clips are not required at the eave structural.

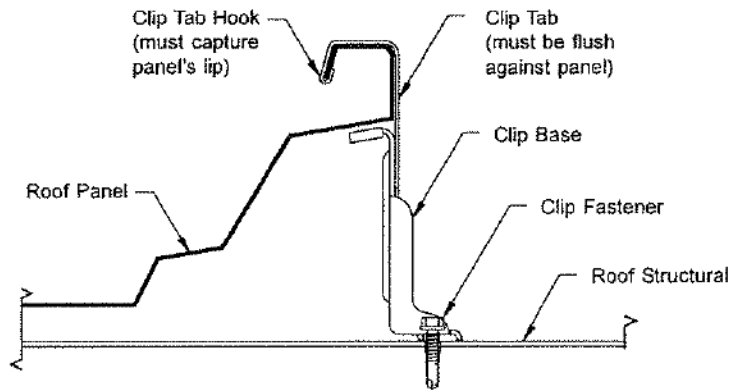
To install the clips, tilt the clip so that its tab can be hooked over the edge of the roof panel's male seam, then rotate the clip down into the vertical position. Position the clip's base so that the clip fasteners can be installed through the holes in the base and into the roof structural.

When fiberglass roof insulation is used, the panel clips normally set top of the insulation and the insulation is compressed between the clip's base and the top of the roof structural. In all cases, refer to the erection drawings to determine the required insulation assembly and the relationship of the panel clips to the insulation.

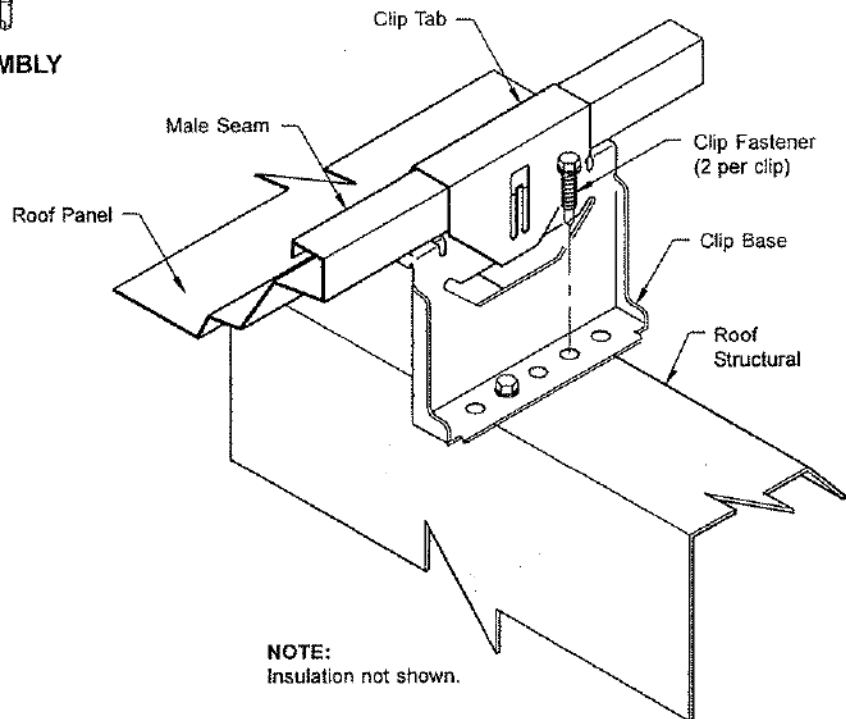
Specific panel clip details are shown on the following page.



9.3 ROOF PANEL INSTALLATION



CLIP / PANEL ASSEMBLY



NOTE:
Insulation not shown.

Panel clips are available as floating clips or fixed clips and are available in different stand-off heights. Refer to the erection drawings to determine the type of clip required for each roof condition.

Check that the panel clip's tab is seated tightly around the roof panel's seam and that the panel clip's hook has captured the panel's lip.

Check that the clip's base is vertical and that the base is set square and firmly over the roof structural.

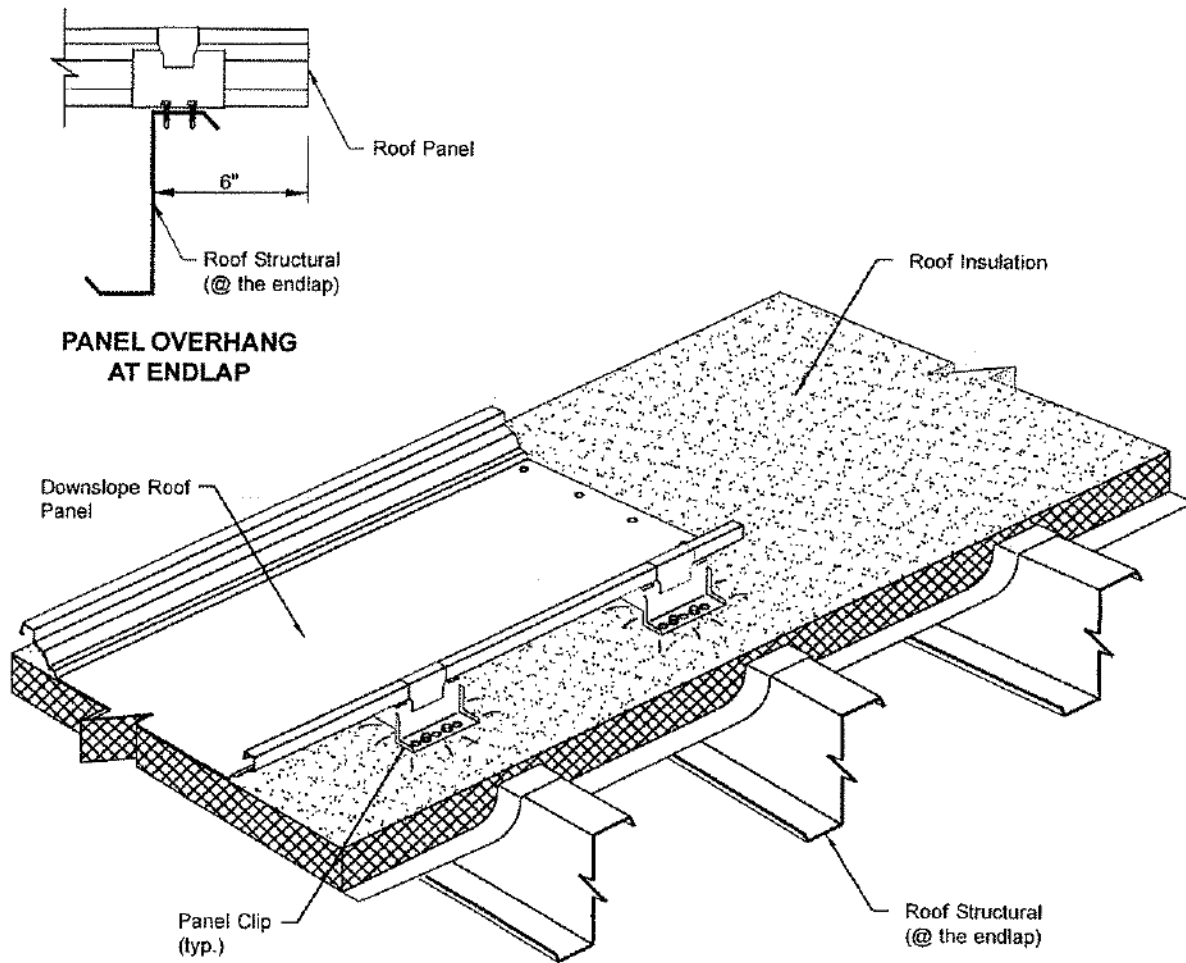
Panel clip fastener type and quantity vary according to the roof structural material and roof load requirements. Refer to the erection drawings for the required type and quantity of panel clip fasteners.

Check that the clip fasteners are equally spaced through the clip base holes and are securely engaged into roof structural.



9.3.7 PANEL CLIP DETAILS

9.3 ROOF PANEL INSTALLATION

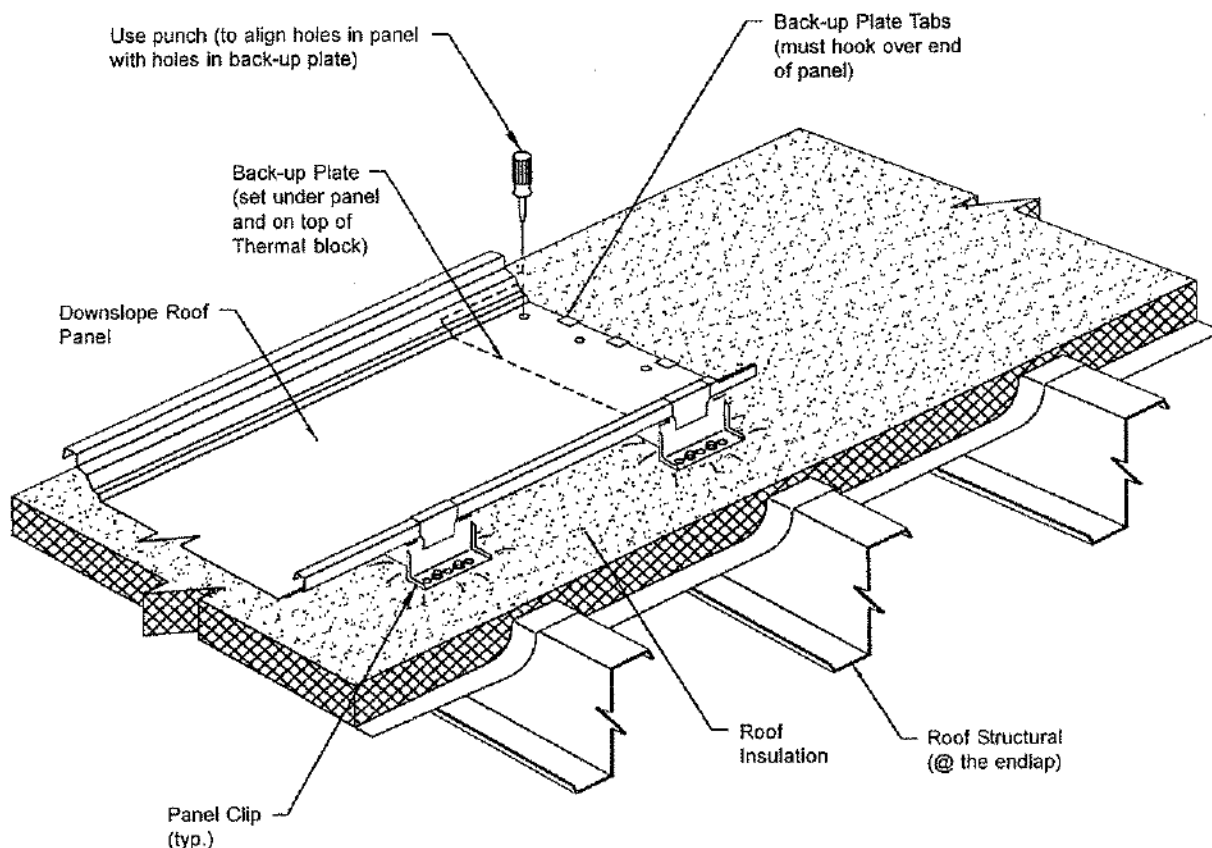


With the eave end of the roof panel attached, measure the panel overhang at the purlin (see illustration).

The panel should extend 2" to 4" beyond the up-slope edge of the purlin or joist.

If the panel overhang is not within these ranges, call Ludwig Buildings Inc. before proceeding with the installation of roof panels.

9.3 ROOF PANEL INSTALLATION



Slide the back-up plate under the roof panel, as shown.

The back-up plate must be set over the top of the roof structural. If insulation Thermal blocks are used, the back-up plate must be set over the Thermal block.

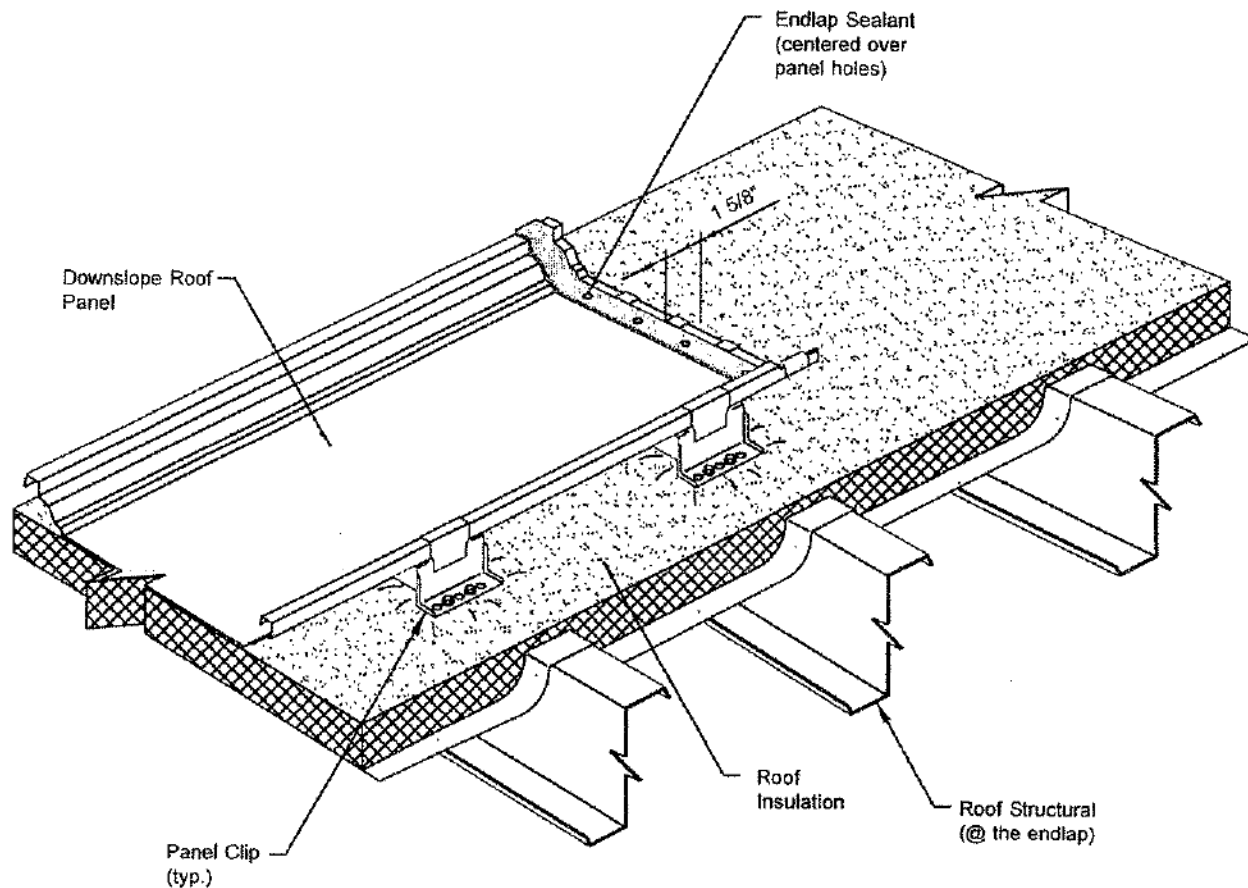
The back-up plate's tabs must hook over the end of the roof panel.

Use punches to align the holes in the back-up plate with the factory punched holes in the roof panel.



9.3.9 ENDLAP — INSTALL BACK-UP PLATE

9.3 ROOF PANEL INSTALLATION



The proper placing of the endlap sealant is critical to the weathertightness of the roof endlaps.

Before installing the endlap sealant, the roof panel's surface must be wiped clean and dry.

Install a continuous strip of endlap sealant along the end of the roof panel, as shown.

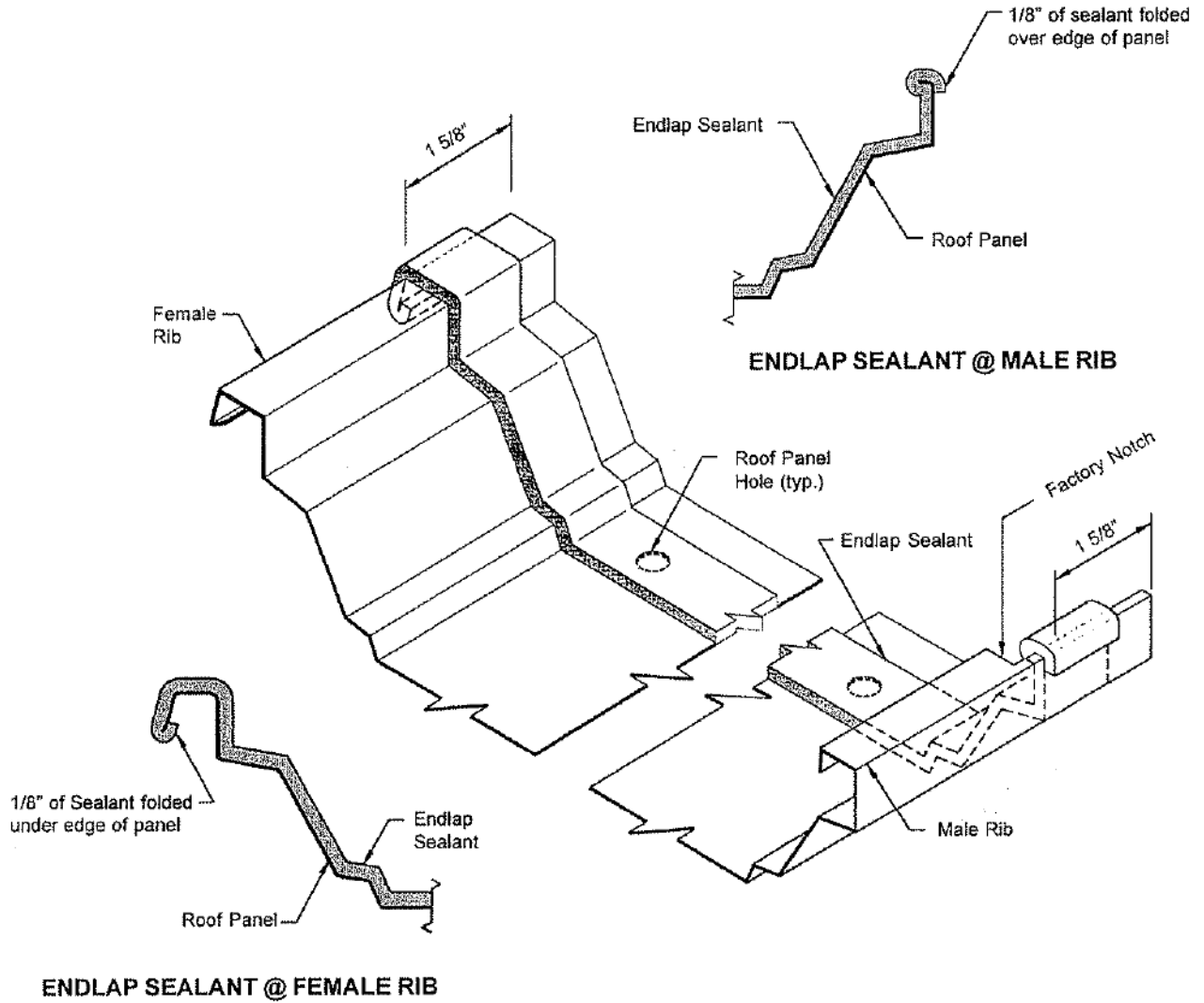
Position the sealant so that its downslope edge is uniformly 1 5/8" from the end of the panel. The sealant must be centered over the roof panel's factory punched holes.

Check that the sealant fully contacts the roof panel's surface and that it is completely fitted into the panel corners and around the seams.

The sealant's protective paper helps to retain the sealant's shape during installation and protects the sealant's surface from damage and contamination. Do not remove the protective paper until immediately before the installation of the up-slope roof panel.

Specific endlap sealant details are shown on the following page.

9.3 ROOF PANEL INSTALLATION



Cut the endlap sealant to be fitted around the roof panel's seams, as shown.

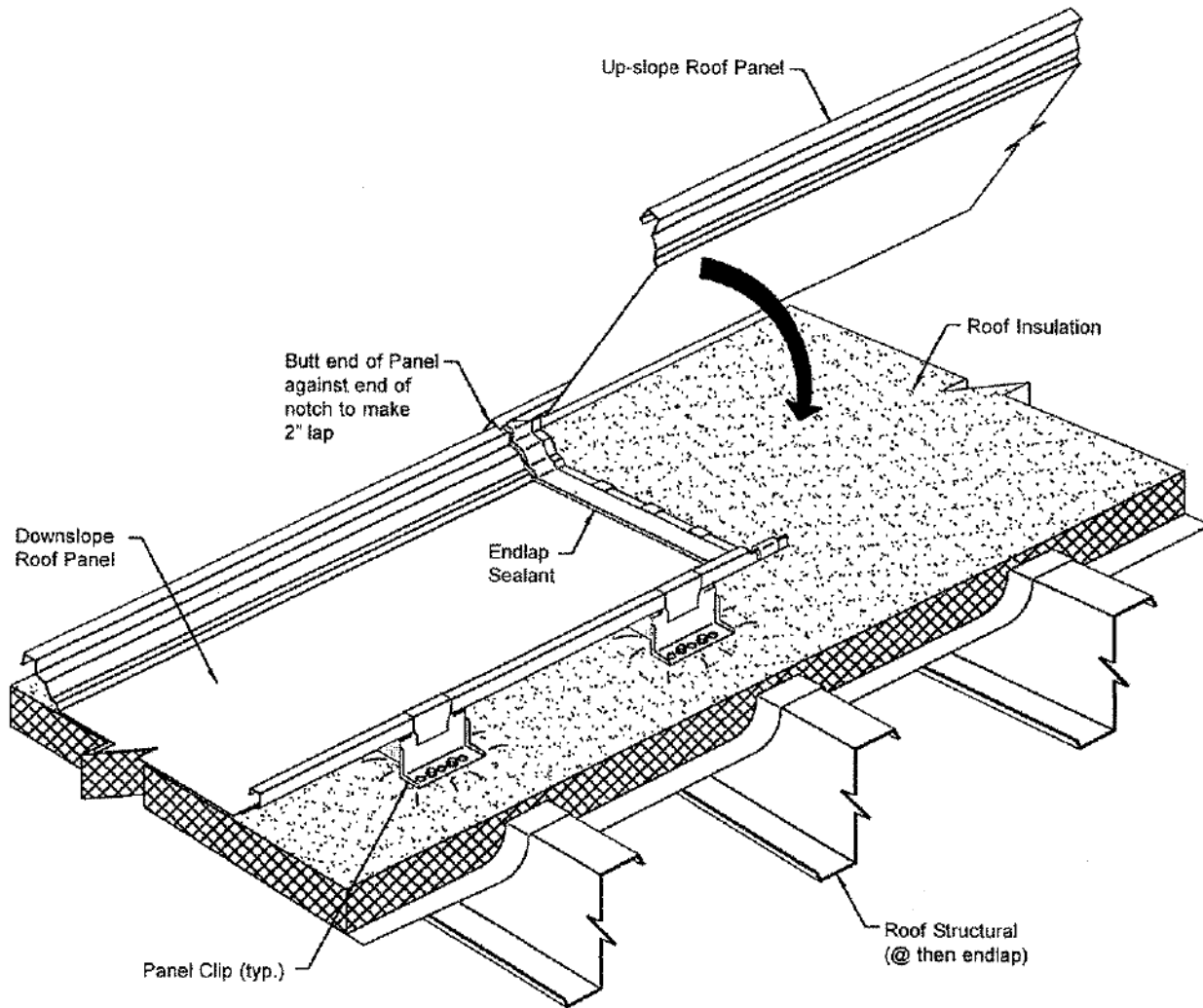
Check that the 1/8" ends of the sealant are correctly folded around the roof panel's edges. Excess sealant in the roof panel seams will cause difficult panel assembly. Remove any excess sealant.

After the sealant is correctly positioned, uniformly press the sealant against the roof panel's surface to assure adhesion. Do not use excess pressure, which can thin the sealant.



9.3.11 ENDLAP — SEALANT DETAILS

9.3 ROOF PANEL INSTALLATION



Wipe dry and clean the underside surface of the up-slope roof panel.

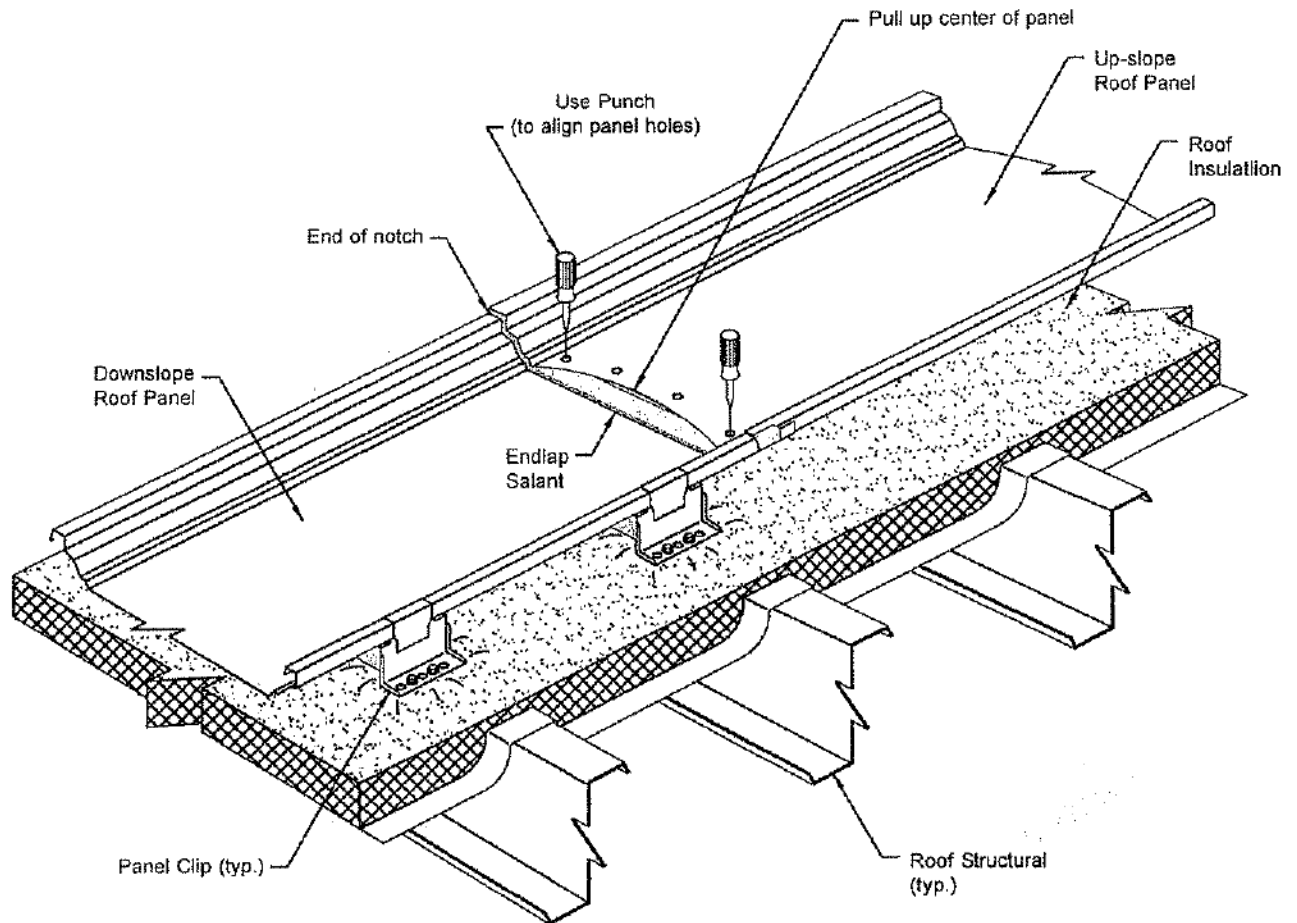
Remove the protective paper from the installed endlap sealant.

Position the end of the up-slope roof panel to make a 2" lap over the down-slope roof panel.

At the seams, the end of the up-slope roof panel should butt against the notch on the down-slope roof panel.

Check that the up-slope roof panel will correctly lap over the endlap sealant.

9.3 ROOF PANEL INSTALLATION



Lower the up-slope roof panel to lap onto the down-slope roof panel.

While lowering the up-slope roof panel, bow the end of the panel by pulling up on it's center. This will allow the panel to more readily nest into the down-slope panel.

Use punches to align the factory punched holes of the lapping panels. The punch will have to penetrate through the endlap

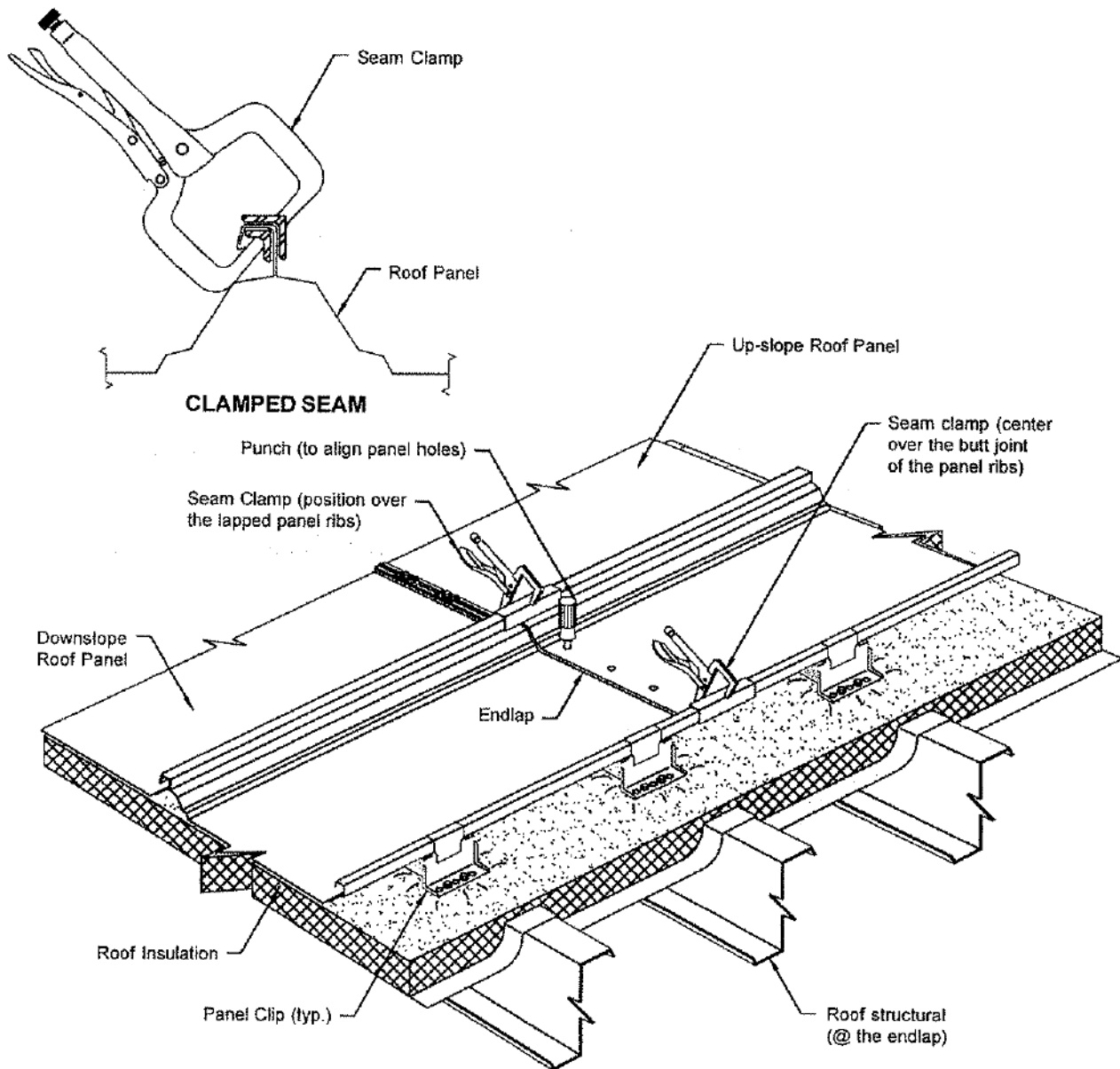
sealant and into the holes in the back-up plate. Do not disturb the position of the sealant while inserting and removing the punch.

Do not remove the punches from the roof panel holes until after the seam clamps have been installed.



9.3.13 ENDLAP — PANEL ALIGNMENT

9.3 ROOF PANEL INSTALLATION



Use the seam clamps to draw the lapping panel seams together, as shown.

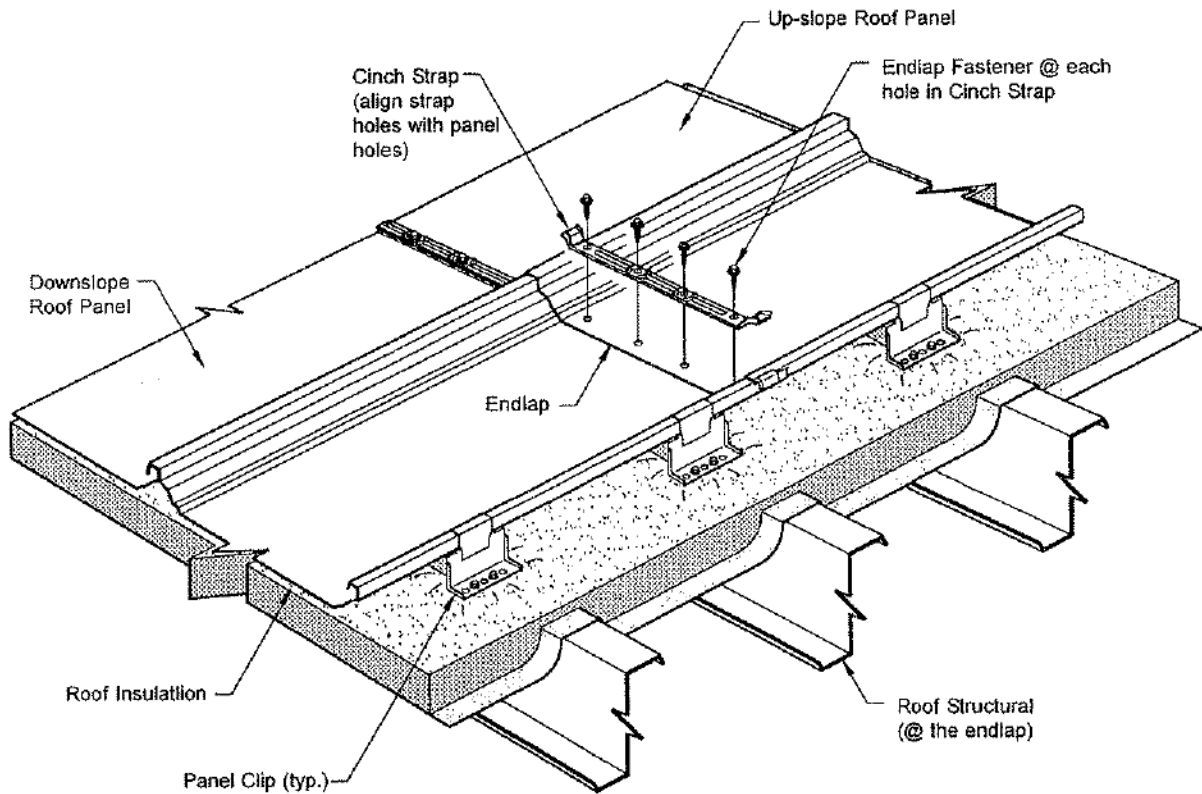
Check that the clamp jaws are correctly aligned to the seam before closing the clamp. Misaligned clamps can distort and damage the roof panel seams.

Slowly close the clamp to allow the sealant to flow between the lapped seams.

With the seam clamps installed, uniformly press down on the up-slope panel to close the panel lap and to assure adhesion to the endlap sealant.

Do not remove the seam clamps until after the endlap cinch strap has been installed.

9.3 ROOF PANEL INSTALLATION



A cinch strap is not required on all roof applications. Refer to the erection drawings to determine if a cinch strap is required.

If a cinch strap is not required, use the following procedures but without placing the cinch strap. Fastener spacing is the same as required at the eave.

If a cinch strap is required, carefully remove the punches and position the cinch strap over the factory punched holes in the roof panel.

Use a punch to align the factory punched holes in the cinch strap, roof panels and back-up plate.

Install endlap fasteners in the holes at each end of the cinch strap. Next install fasteners in the remaining holes.

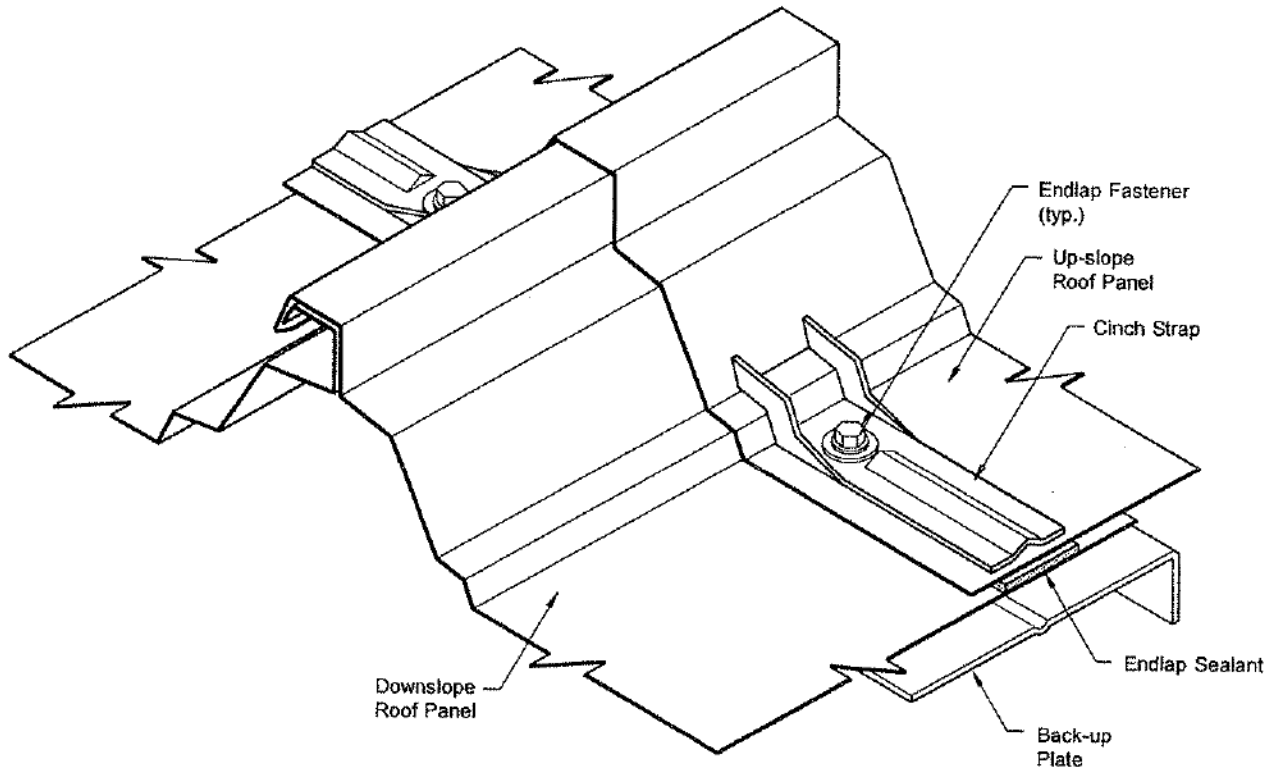
Check that the endlap fasteners penetrate thru the center of the endlap sealant and are securely engaged into the back-up plate.

Specific endlap details are shown on the following page.



9.3.15 ENDLAP — INSTALL CINCH STRAP

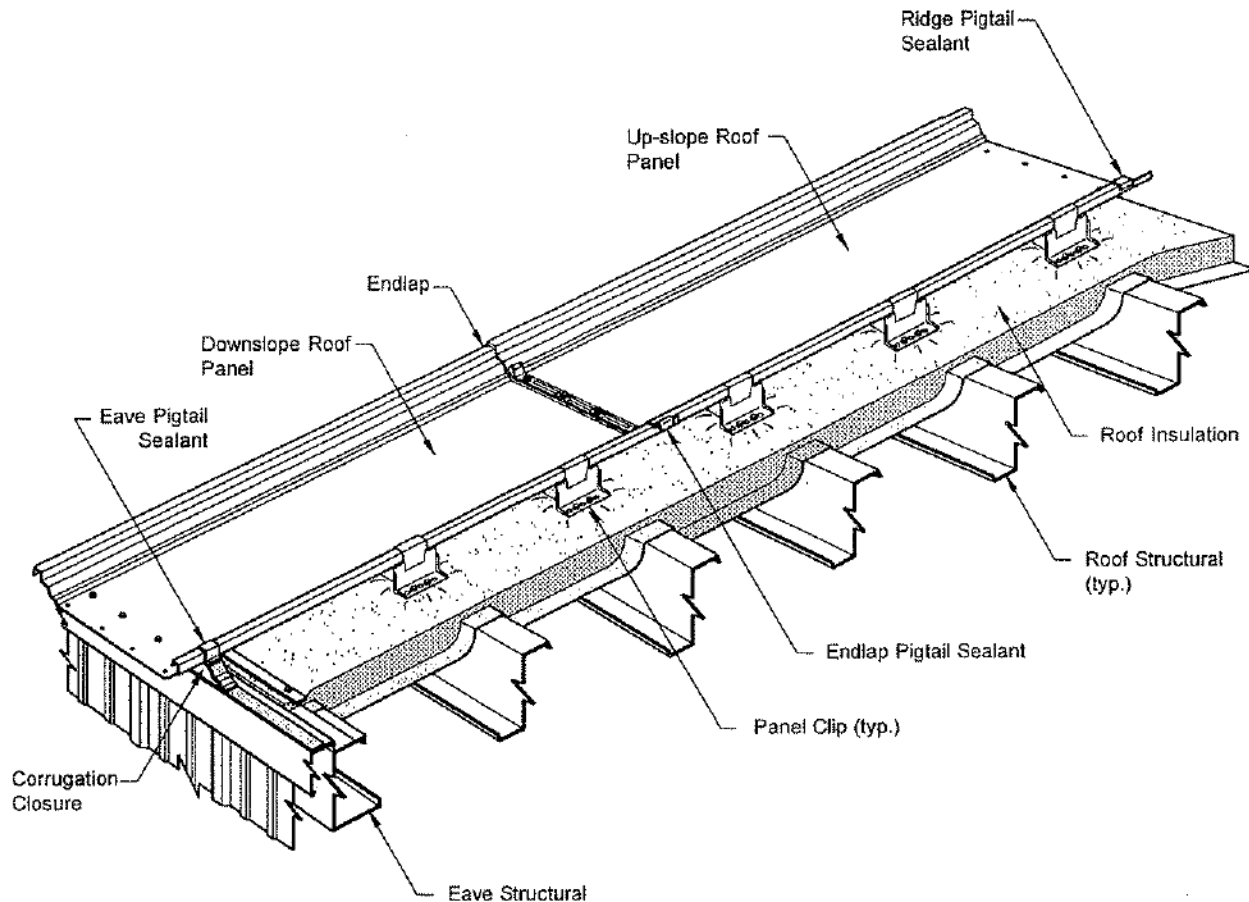
9.3 ROOF PANEL INSTALLATION



Check that the endlap is correctly assembled, as shown.

Check that there are no unsealed voids between the lapped panels, especially at the critical corner areas.

9.3 ROOF PANEL INSTALLATION



The pigtail sealants must be correctly installed before the next roof panel run can be installed.

The pigtail sealants are pieces of endlap sealant, cut to the required length.

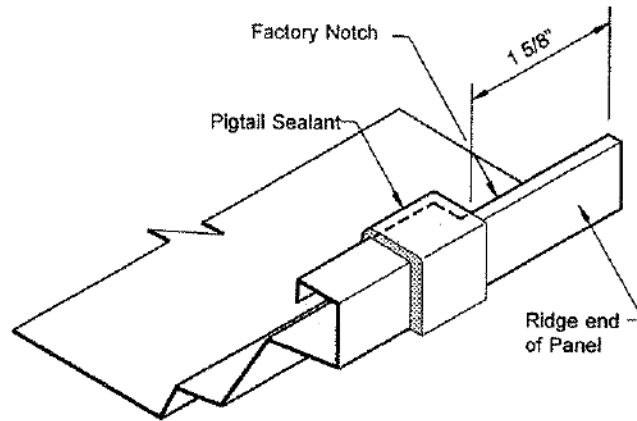
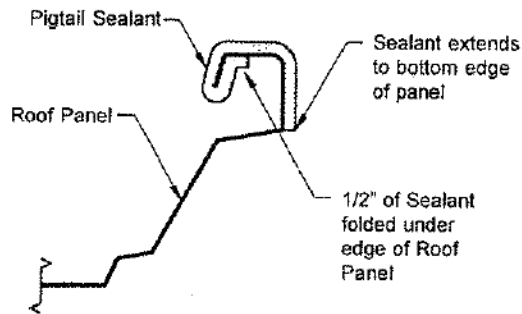
Install the eave, endlap and ridge pigtail sealants on the leading edge of the roof panel, as shown.

Refer to the next pages for specific pigtail sealant details.

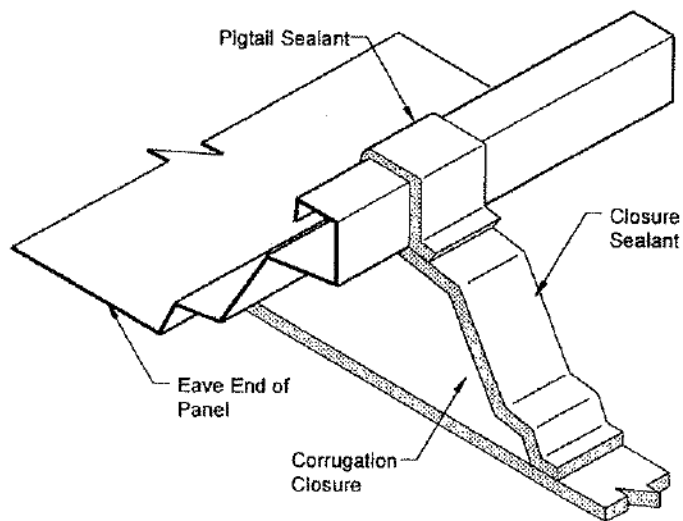
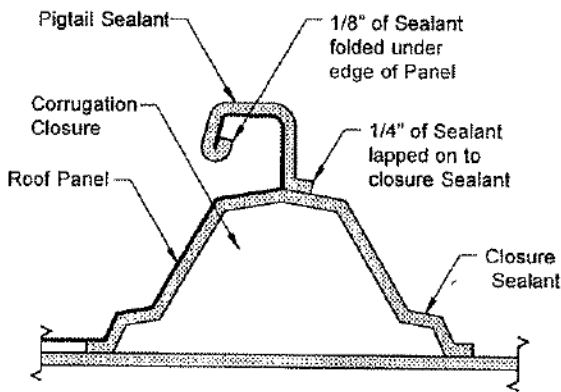


9.3.17 INSTALL PIGTAIL SEALANTS

9.3 ROOF PANEL INSTALLATION



RIDGE PIGTAIL SEALANT DETAIL



EAVE PIGTAIL SEALANT DETAIL

Cut the pigtail sealants to be fitted around the roof panel's seam as shown.

At the eave, lap a 1/4" of the pigtail sealant onto the corrugation closure's sealant. Cut the other end of the pigtail sealant so 1/8" can be folded under the edge of the roof panel.

At the ridge, position the pigtail sealant so it's edge is 1 5/8" from the end of the roof panel. The sealant must lap over the edge of the roof panel's notch.

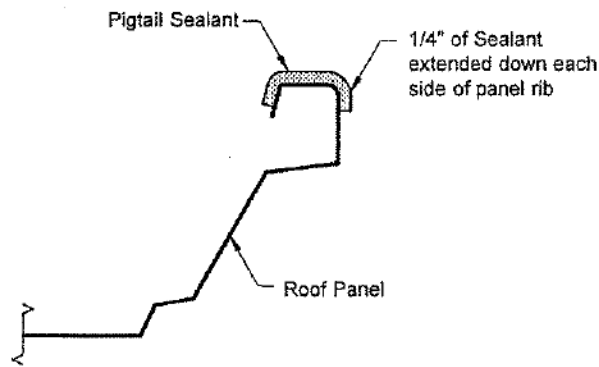
Fold 1/2" of the ridge pigtail sealant under the edge of the roof panel. Cut the other end of the sealant so it sets flush with the bottom edge of the roof panel's seam.

Excess sealant in the seams will cause difficult roof panel assembly. Remove any excess sealant.

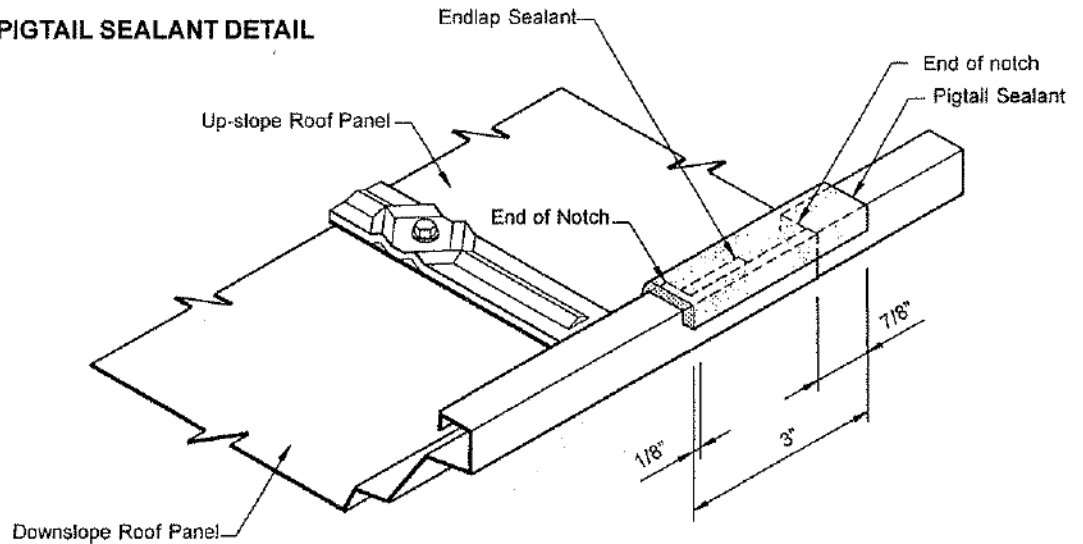
After the pigtail sealant is correctly placed, uniformly press the sealant against the panel's surface to assure adhesion.



9.3 ROOF PANEL INSTALLATION



ENDLAP PIGTAIL SEALANT DETAIL



Cut the pigtail sealant to a 3" length and fit around the roof panel's seam as shown.

Position the pigtail sealant to lap 1/8" beyond the downslope end of the roof panel's notch.

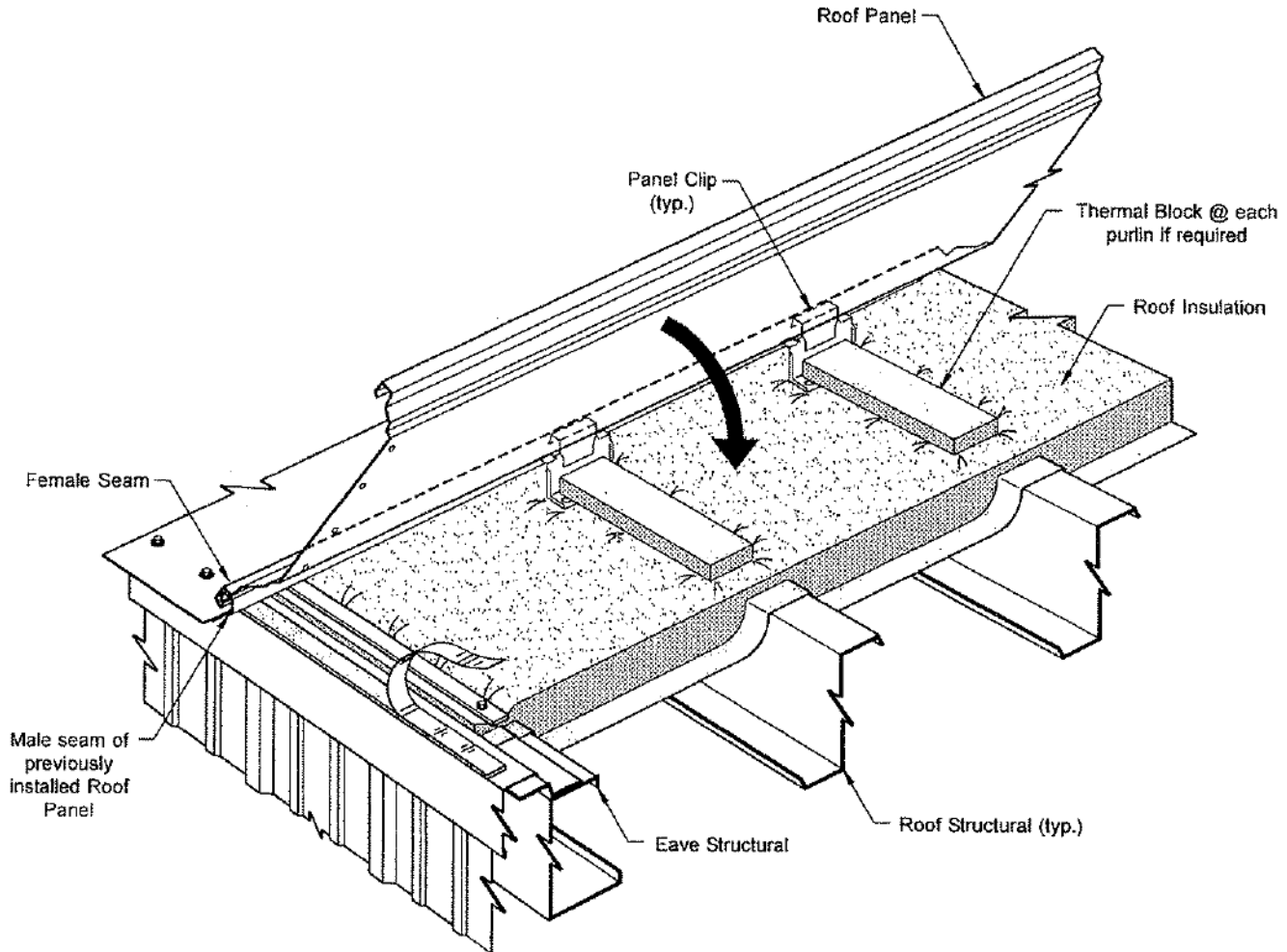
Center the sealant over the roof panel's seam. Fold the edges of the sealant down, over the sides of the seam.

Excess sealant in the seams will cause difficult roof panel assembly. Remove any excess sealant.

After the pigtail sealant is correctly placed, uniformly press the sealant against the panel's surface to assure adhesion.



9.3 ROOF PANEL INSTALLATION



Remove the protective paper from the eave sealant. Remove only enough of the protective paper to allow installation of the next roof panel.

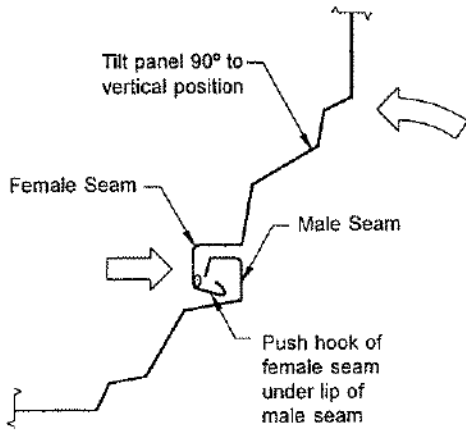
If required, place the insulation thermal blocks on top of the insulation, directly over the roof structural.

Position the trailing edge of the roof panel over the leading edge of the previously installed roof panel and position the end of the roof panel 2 1/2" beyond the face of the eave trim.

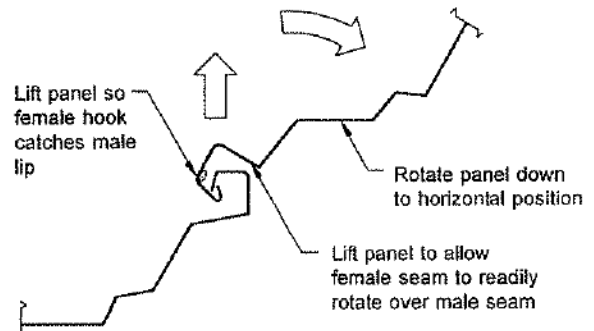
Tilt the panel as shown, so the female seam can be hooked over the male seam of the previous roof panel.

Specific roof panel sidelap assembly details are shown on the following page.

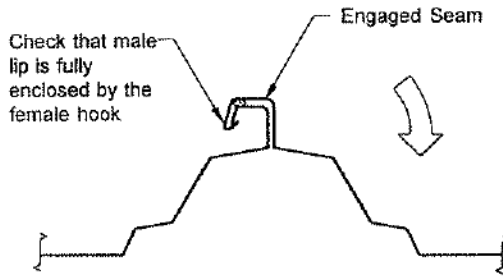
9.3 ROOF PANEL INSTALLATION



STEP 1



STEP 2



STEP 3

CAUTION
Do not scrape off seam sealant during the sidelap assembly.

It is easier to hook the roof panel seams together if the roof panel is first tilted up to the vertical position.

With the roof panel in the vertical position, align its female seam to slide under the male seam of the previous roof panel.

With the female seam under the male seam, lift up the roof panel so the female seam's hook catches the lip of the male seam.

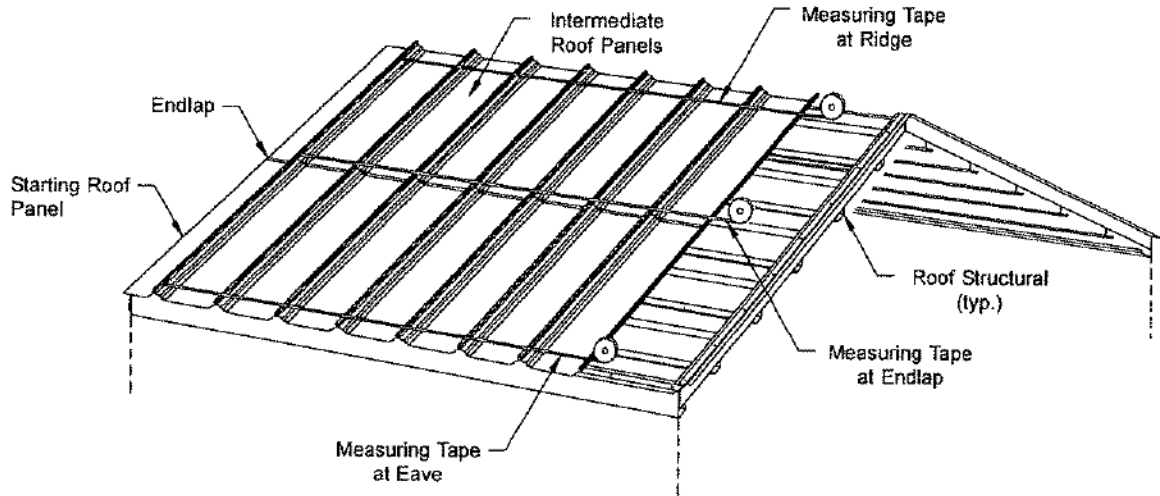
While continuing to lift up on the roof panel, rotate the panel down to rest on the insulation or thermal blocks.

IMPORTANT: Check that the female hook has enclosed the male lip along the entire length of the roof panel. If not, the roof panel sidelap must be correctly reassembled before installing the next roof panel.

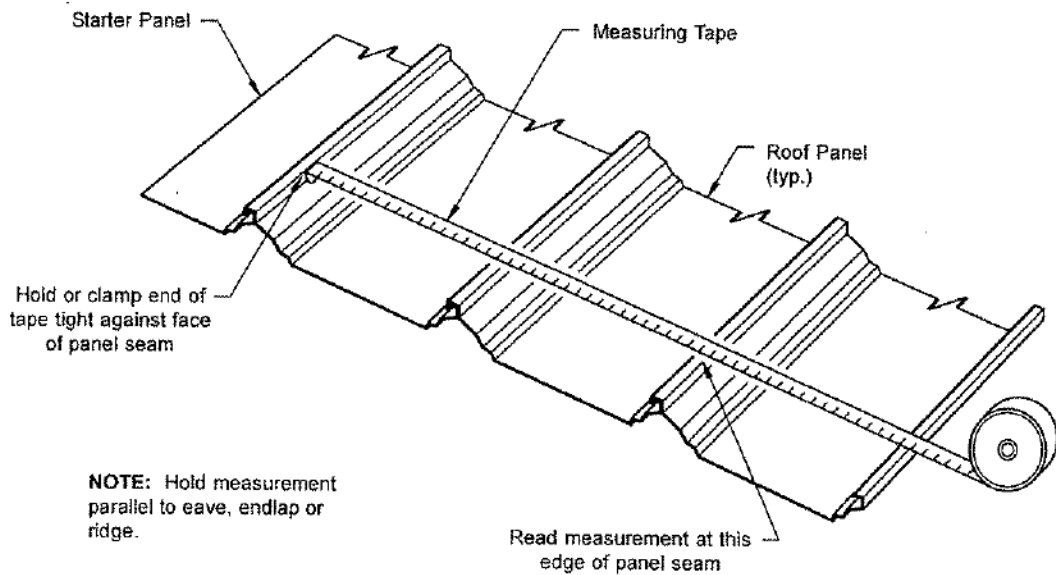


9.3.21 PANEL SIDELAP ASSEMBLY

9.3 ROOF PANEL INSTALLATION



CHECKING PANEL COVERAGE



PANEL COVERAGE MEASUREMENT

For proper fit-up of the roof panel sidelap assembly and the fit-up to the closures, flashing and curbs etc., it is critical that the roof panel coverage is checked frequently and any coverage error be corrected before it accumulates.

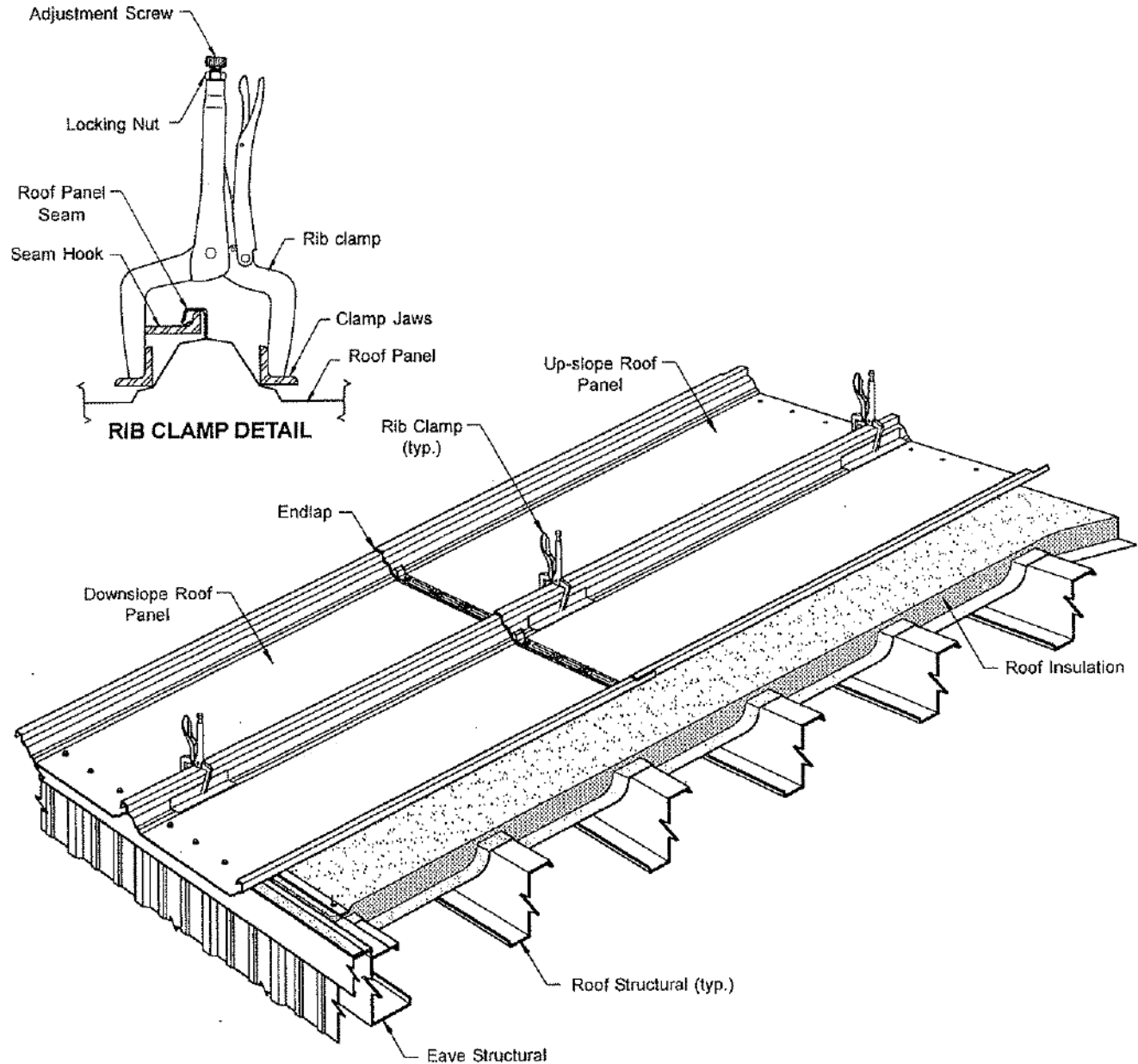
To avoid accumulation error, the coverage measurement should always be from the rake line or the starting roof panel's seam.

Coverage must be checked at the eave and ridge and at every endlap.

To avoid measurement error, the measuring tape must be free and taut and must be parallel to the eave line or ridge line.



9.3 ROOF PANEL INSTALLATION



The most common coverage error is the spreading of the roof panels, especially at the panel ends. This can cause excess panel coverage along the eave, endlaps and ridge.

To correct excess roof panel coverage, use rib clamps to squeeze together the panel ribs, as shown.

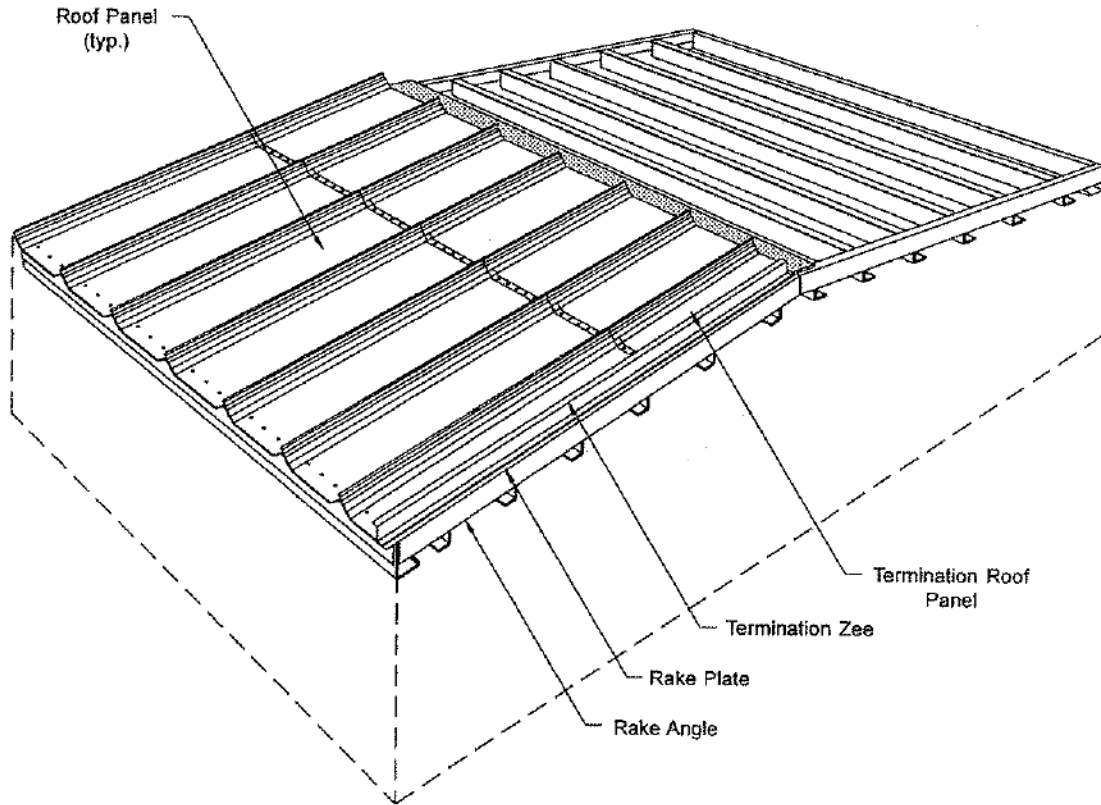
The rib clamps can be adjusted and locked, so that they will squeeze the panel ribs to provide a consistent coverage width.

If excessive coverage has accumulated over several panel runs, do not try to correct all of the error at one time. Corrected roof panel coverage must not be greater than 1/8" per panel. Correct accumulated coverage error by making the correction over several panel runs.



9.3.23 ADJUST PANEL COVERAGE

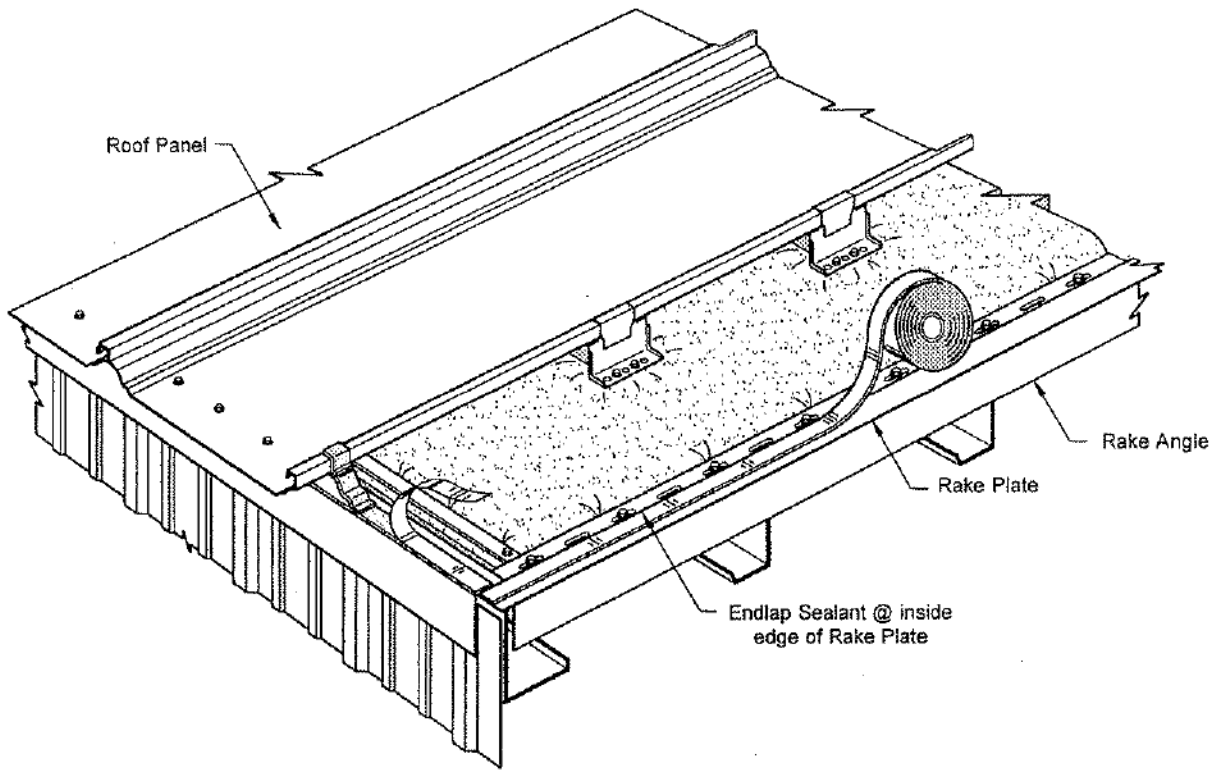
9.4 TERMINATION PANEL INSTALLATION



The details in this section show the installation of the termination roof panel and the termination zee.

The details show the termination roof panel installed at the finish rake. The installation of the termination panel at the starting rake is similar.

9.4 TERMINATION PANEL INSTALLATION



Install end lap sealant along the top flange of the rake plate as shown.

Position the edge of the sealant flush with the inside edge of the rake plate. At the eave, lap the end of the sealant on top

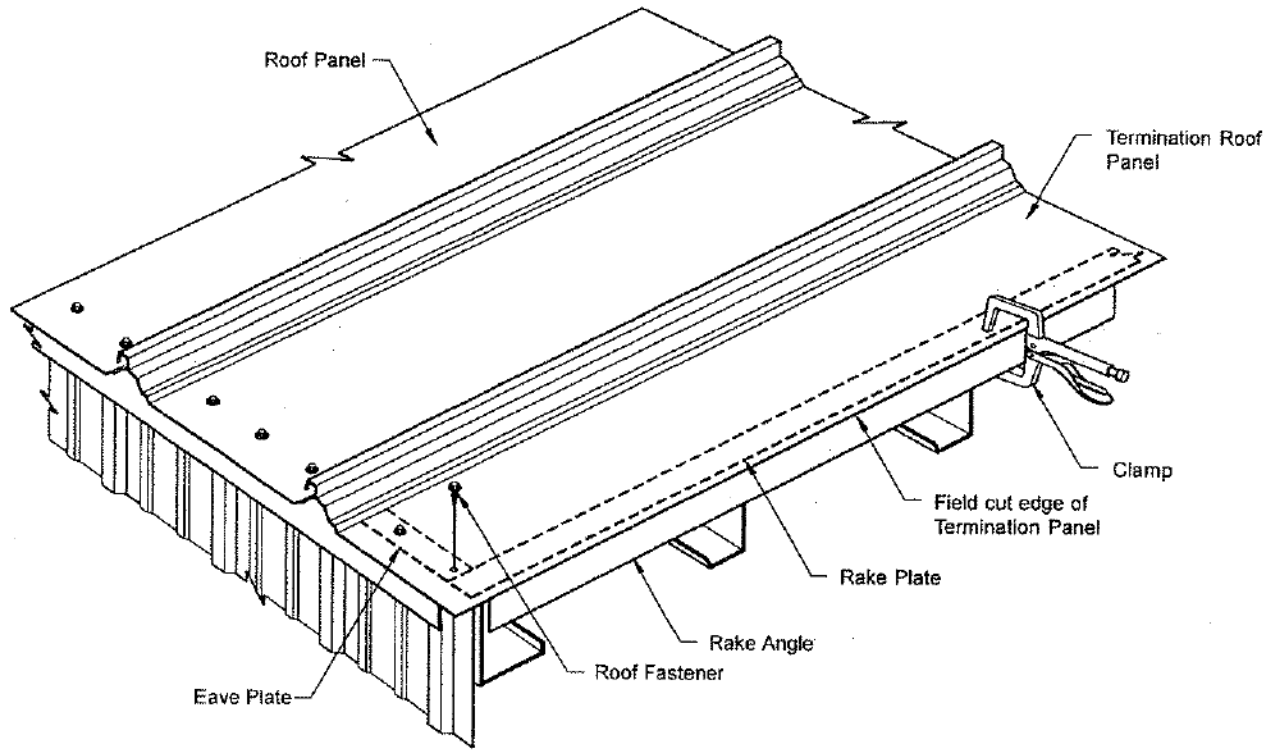
of the eave sealant.

Do not remove the protection paper until immediately before installing the termination roof panel.



9.4.2 INSTALL RAKE PLATE SEALANT

9.4 TERMINATION PANEL INSTALLATION



Remove the protective paper from the eave sealant and rake plate sealant.

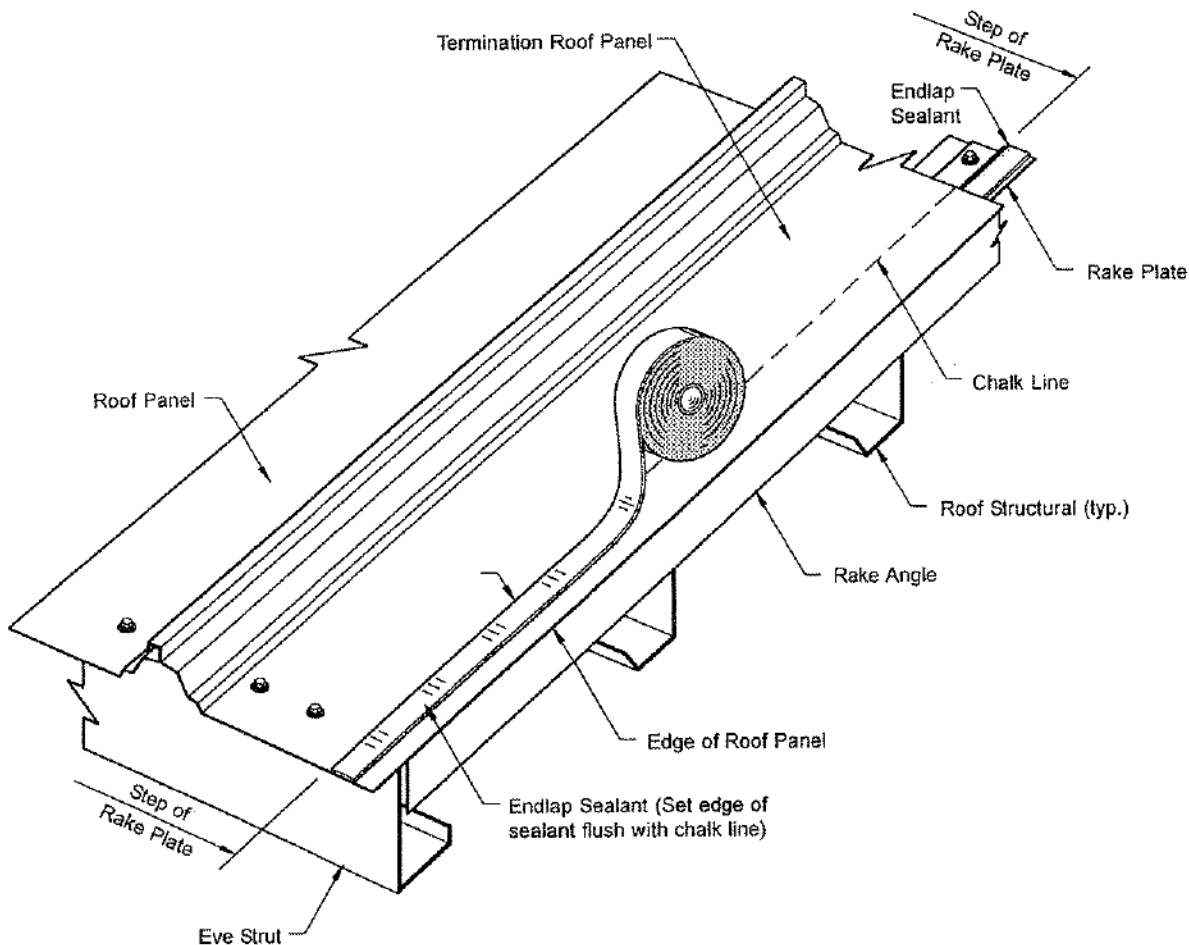
Along the cut edge of the termination roof panel, wipe the underside clean and dry.

Field cut the termination roof panel to the required width. The cut edge of the panel should extend 1" beyond the outer edge of the rake plate's top flange.

Install the termination panel into position as shown.

Install the eave fasteners and temporarily clamp the edge of the panel to the rake plate.

9.4 TERMINATION PANEL INSTALLATION



Along the cut edge of the termination roof panel, wipe the top surface clean and dry.

Install endlap sealant continuous along the edge of the termination roof panel, as shown.

The rake closure sealant must be positioned directly over the rake plate's top flange. Layout the sealant location on the panel's top surface with a chalk line as shown. Align the chalk line with the rake plate's step.

Position the edge of the sealant on the chalk line. Start and finish the ends of the sealant flush with the ends of the roof panel.

Check the entire length of the sealant to assure that it is correctly positioned and that there are no voids or thinned areas.

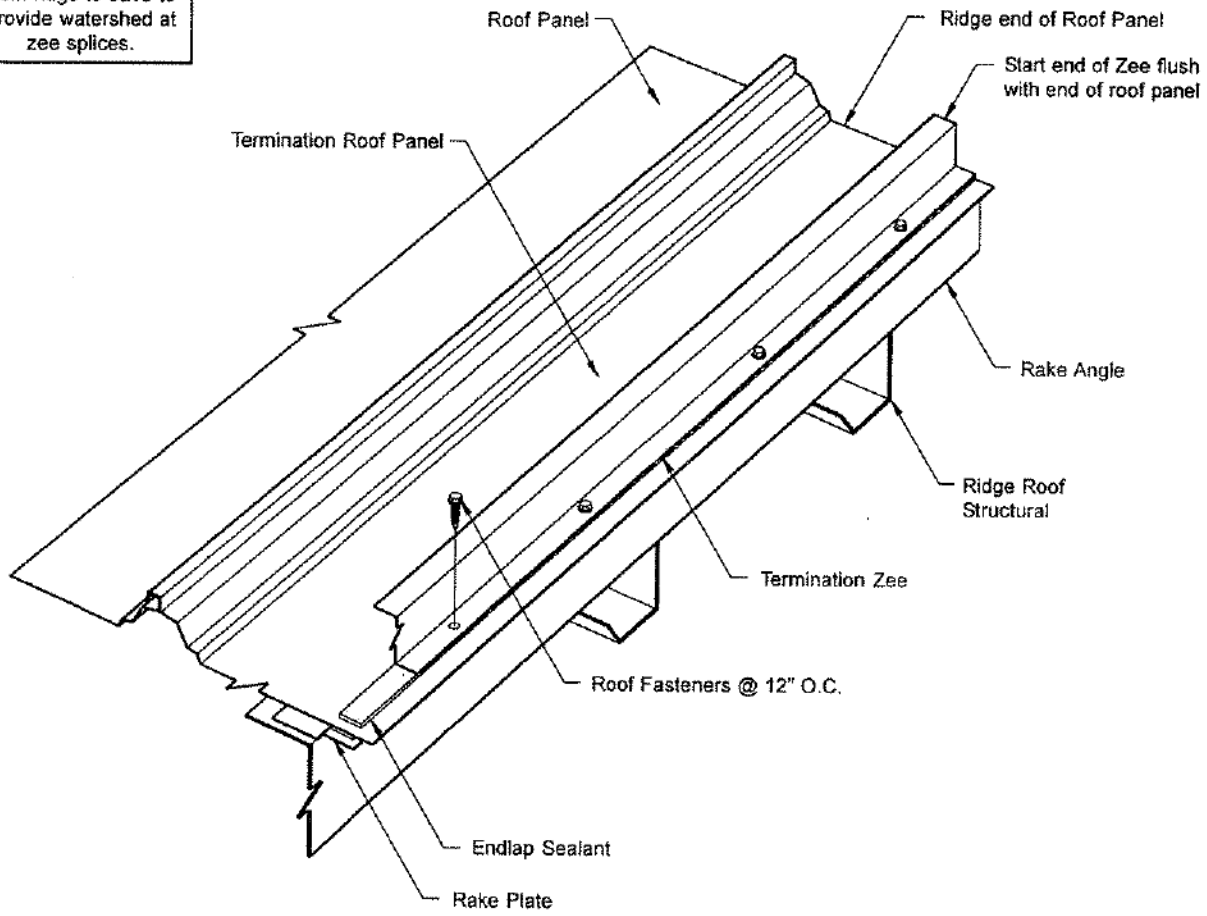
After the sealant has been correctly installed, lightly press the sealant against the roof panel to assure adhesion. Do not use excess pressure, which can thin the sealant.



9.4.4 INSTALL TERMINATION ZEE SEALANT

9.4 TERMINATION PANEL INSTALLATION

IMPORTANT
Install termination zee from ridge to eave to provide watershed at zee splices.



The termination zee must be installed from ridge-to-eave to provide for watershed at the termination zee splices.

Uniformly press the zee against the sealant to assure adhesion.

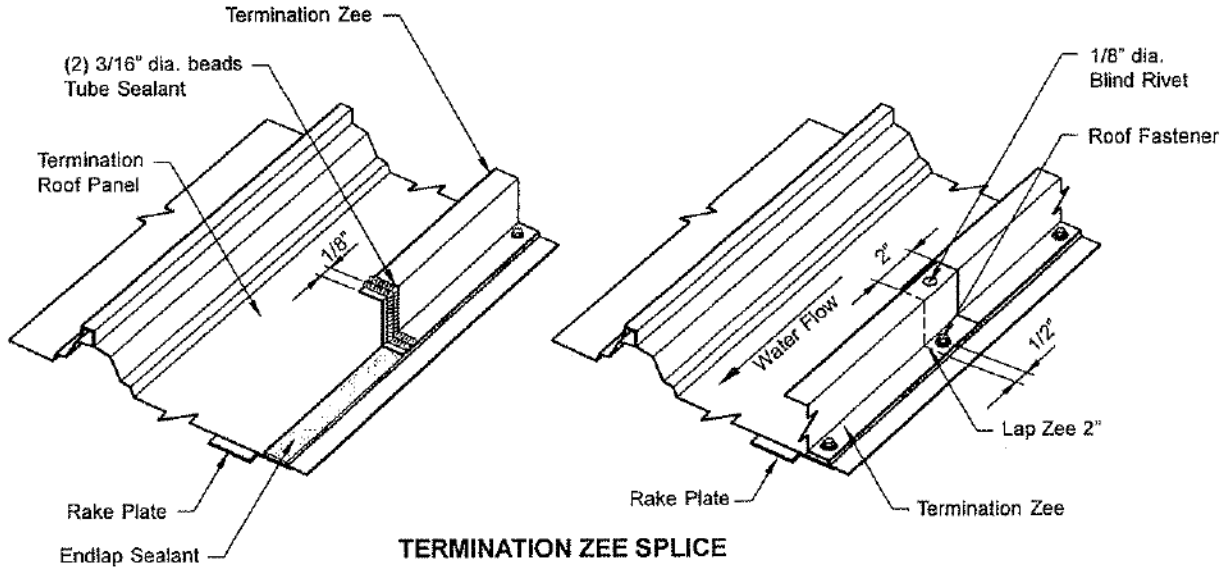
Install the termination zee on top of the sealant, as shown.

Attach the termination zee with the roof fasteners at 12" spacing. Check that the fasteners penetrate the center of the sealant, and securely engage the rake plate.

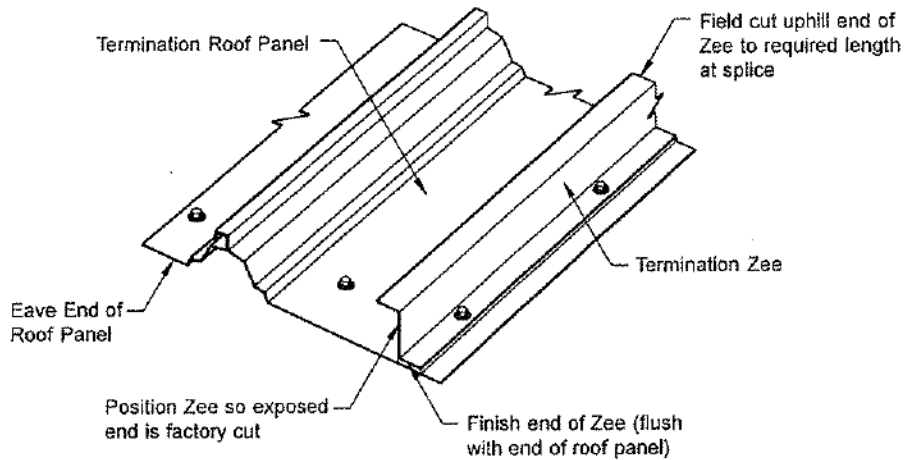
Position the zee so it's bottom flange is turned outward and it's inside edge is flush with the inside edge of the sealant. Position the end of the zee flush with the end of the roof panel.



9.4 TERMINATION PANEL INSTALLATION



TERMINATION ZEE SPLICE



TERMINATION ZEE AT EAVE

Apply two 3/16" beads of tube sealant along the downslope end of the termination zee as shown.

Attach the next zee with the roof fasteners. Install the first fastener through the lapped bottom flanges.

Position the next zee, overlapping the previously installed zee by 2".

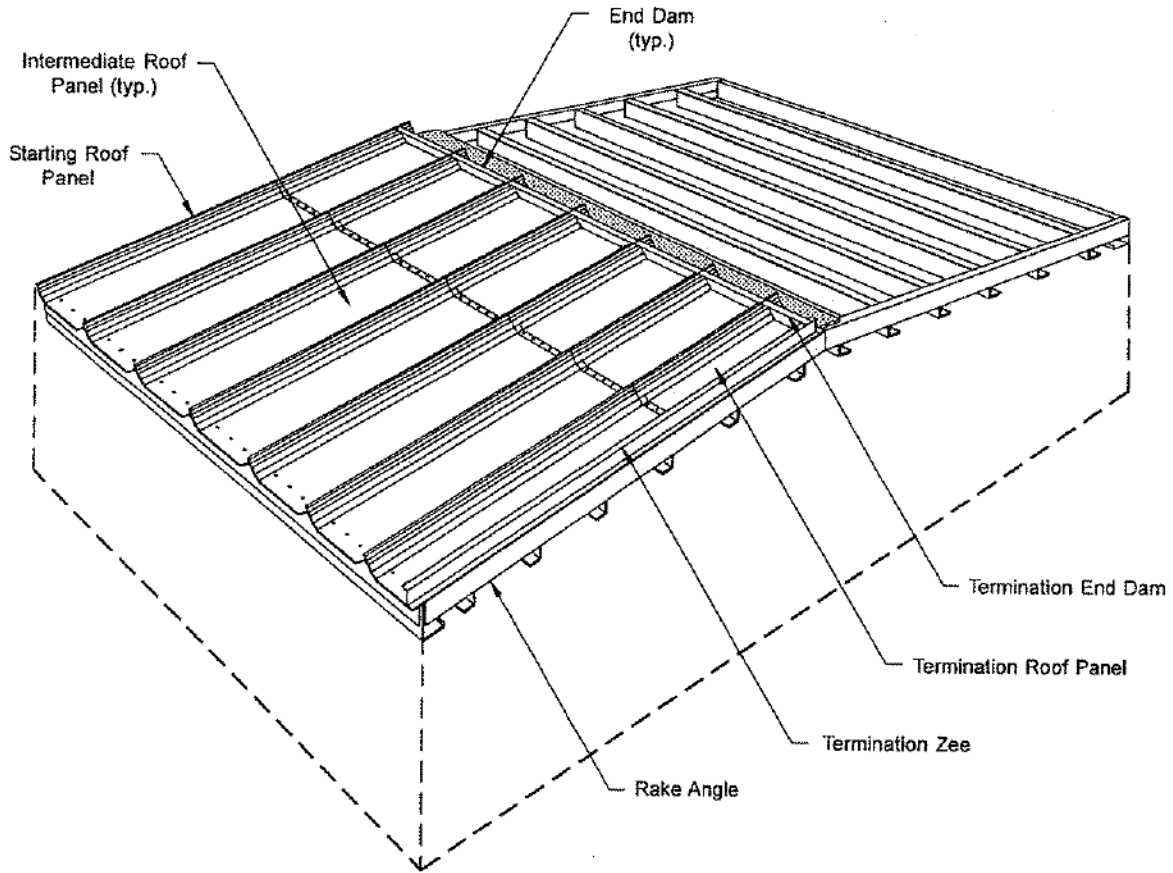
Install a 1/8" pop rivet through the lapped upper flanges.

Clamp the lapped zee while installing the fasteners.

Position the last zee so its down slope end is flush with the eave end of the roof panel. Then cut the up-slope end for a 2" lap at the splice.



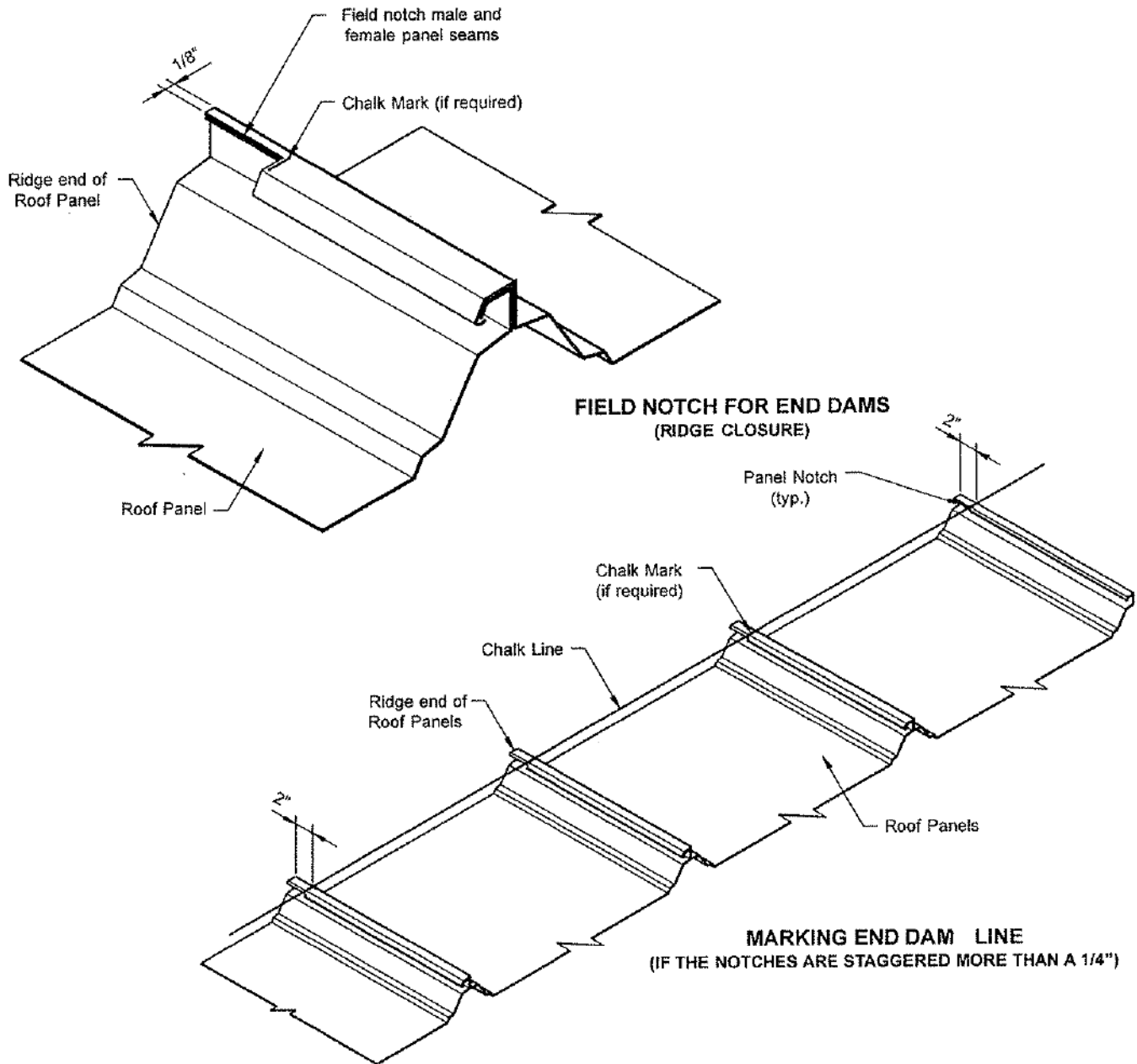
9.5 END DAM INSTALLATION



Metal end dams are used to close the ends of the roof panels at the ridge, high eave and high eave transition conditions.

The details in this section will show the installation of the end dams and the preparation of the roof panels for installation of the end dams.

9.5 END DAM INSTALLATION



The end dams should be installed as each roof panel run is completed. Installation of the roof dams helps maintain the correct roof panel coverage at the ridge. If the end dams are installed after the roof panels are in place, roof panel coverage error may prevent proper installation of the end dams.

Check the alignment of the roof notches along the ridge. If the notches are staggered more than 1/4", use a chalk line to

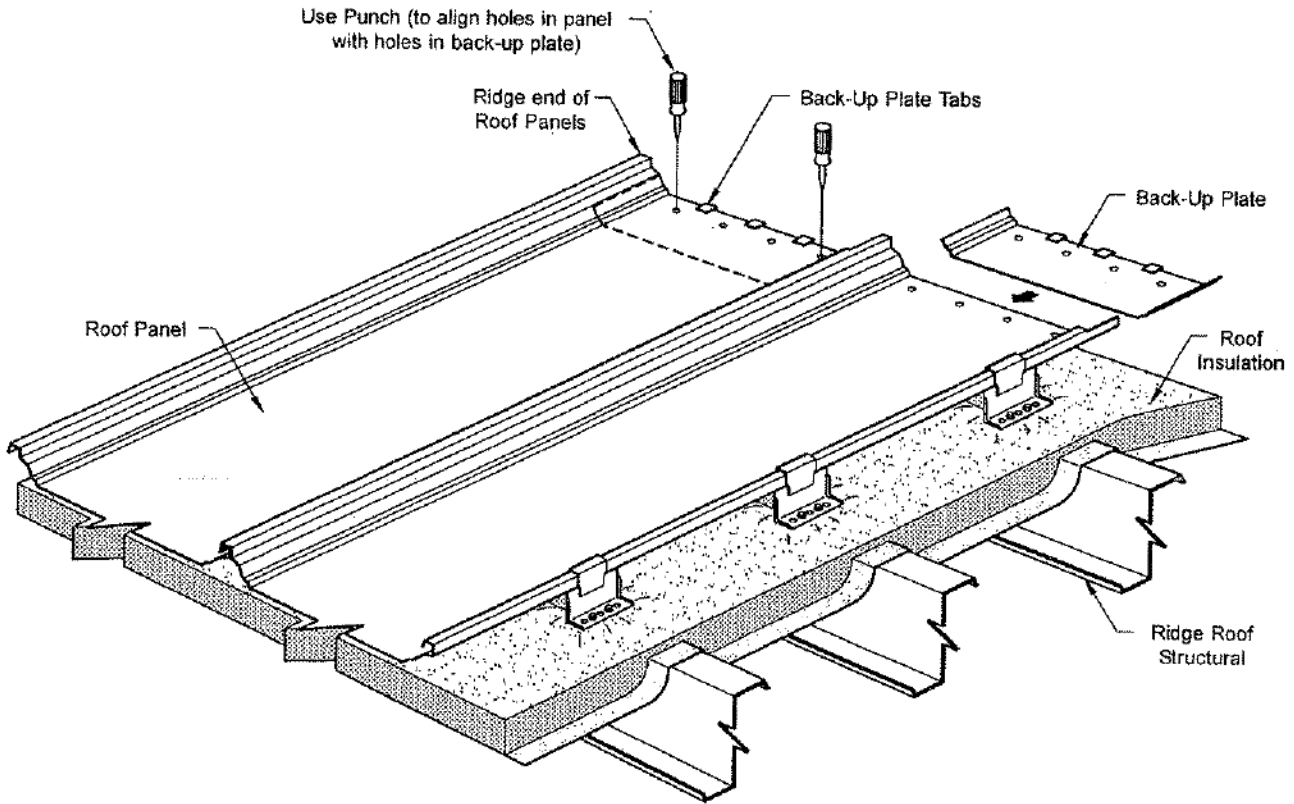
establish a straight notch line. Position the chalk line so no notch extends below the line.

Using the end of the factory notch (or chalk marks) as a guide, field cut the additional notching in both male and female portions of the seam, as shown.



9.5.2 PREPARATION FOR END DAM INSTALLATION

9.5 END DAM INSTALLATION



Slide the back-up plate under the roof panel, as shown.

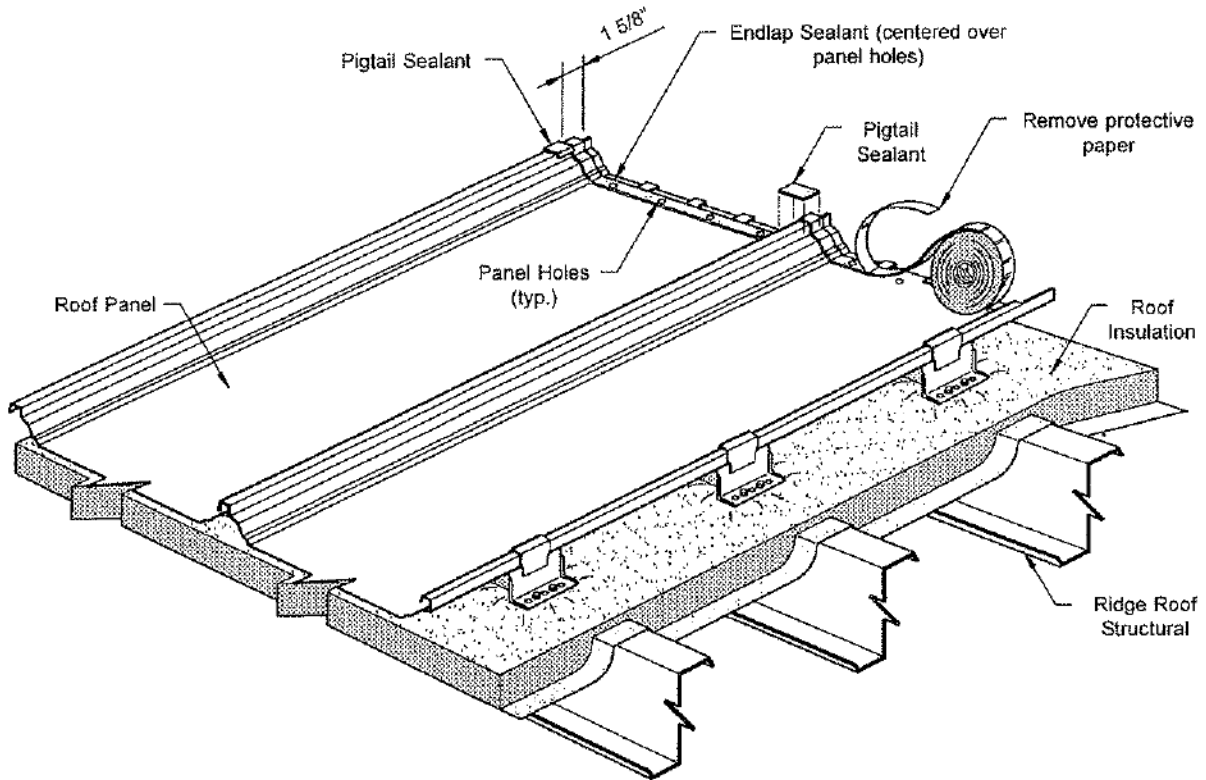
The back-up plate must be set over the top of the roof structural. If insulation thermal blocks are used, the back-up plate must be set over the thermal block.

The back-up plate's tabs must hook over the end of the roof panel.

Use punches to align the holes in the back-up plate with the factory punched holes in the roof panel.

If the ridge purlin is located too far down slope for the back-up plate to rest on the purlin or spacer plate, use a clamp to hold the back-up plate in position until after the fasteners are installed.

9.5 END DAM INSTALLATION



Before installing the endlap sealant, the roof panel's surface must be wiped clean and dry.

Install a continuous strip of endlap sealant along the end of the roof panel, as shown.

Position the sealant so that its downslope edge is uniformly 1 5/8" from the end of the panel. The sealant must be centered over the roof panel's factory punched holes.

Check that the sealant fully contacts the roof panel's surface and that it is completely fitted into the panel corners and around the seams

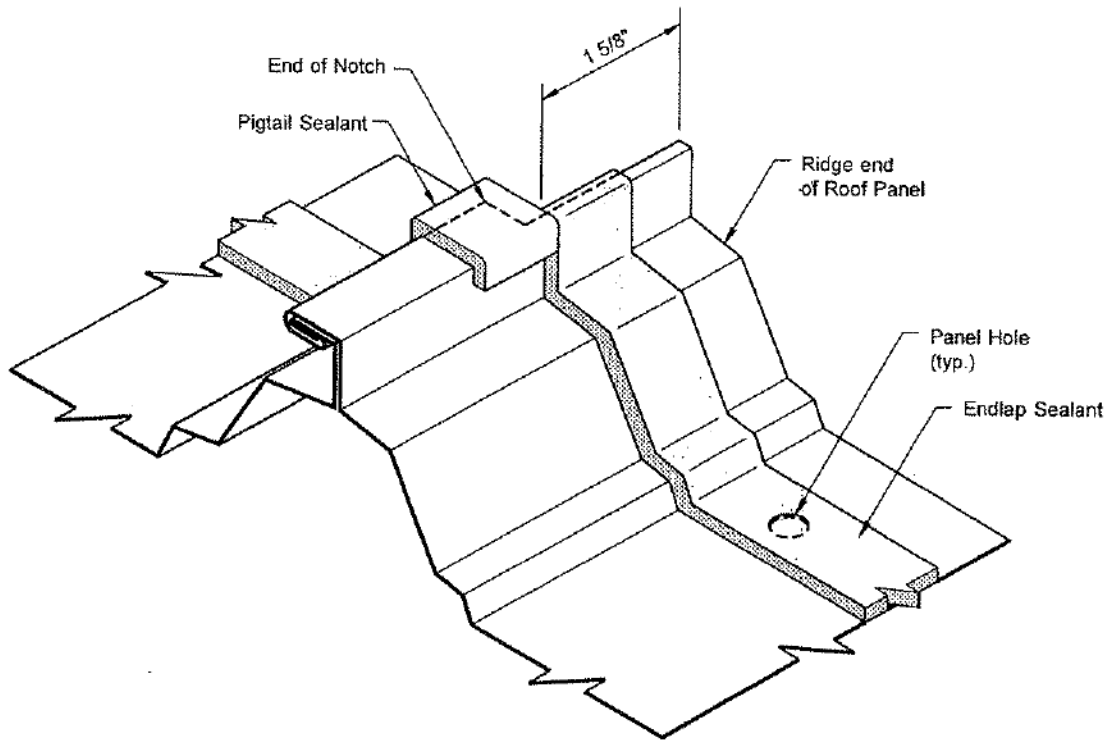
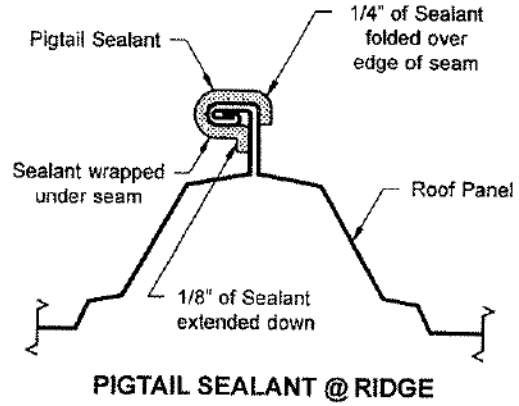
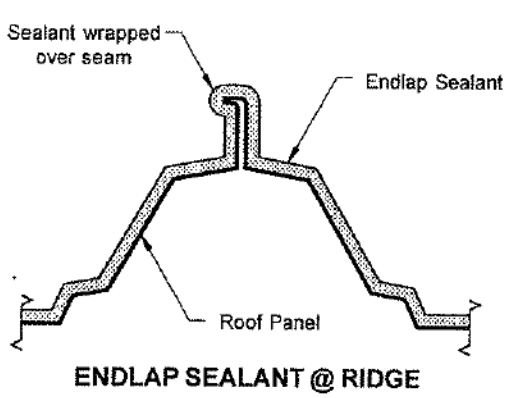
Cut a strip of endlap sealant and install as the pigtail sealant, as shown.

Specific endlap sealant details are shown on the following page.



9.5.4 INSTALL RIDGE SEALANT

9.5 END DAM INSTALLATION

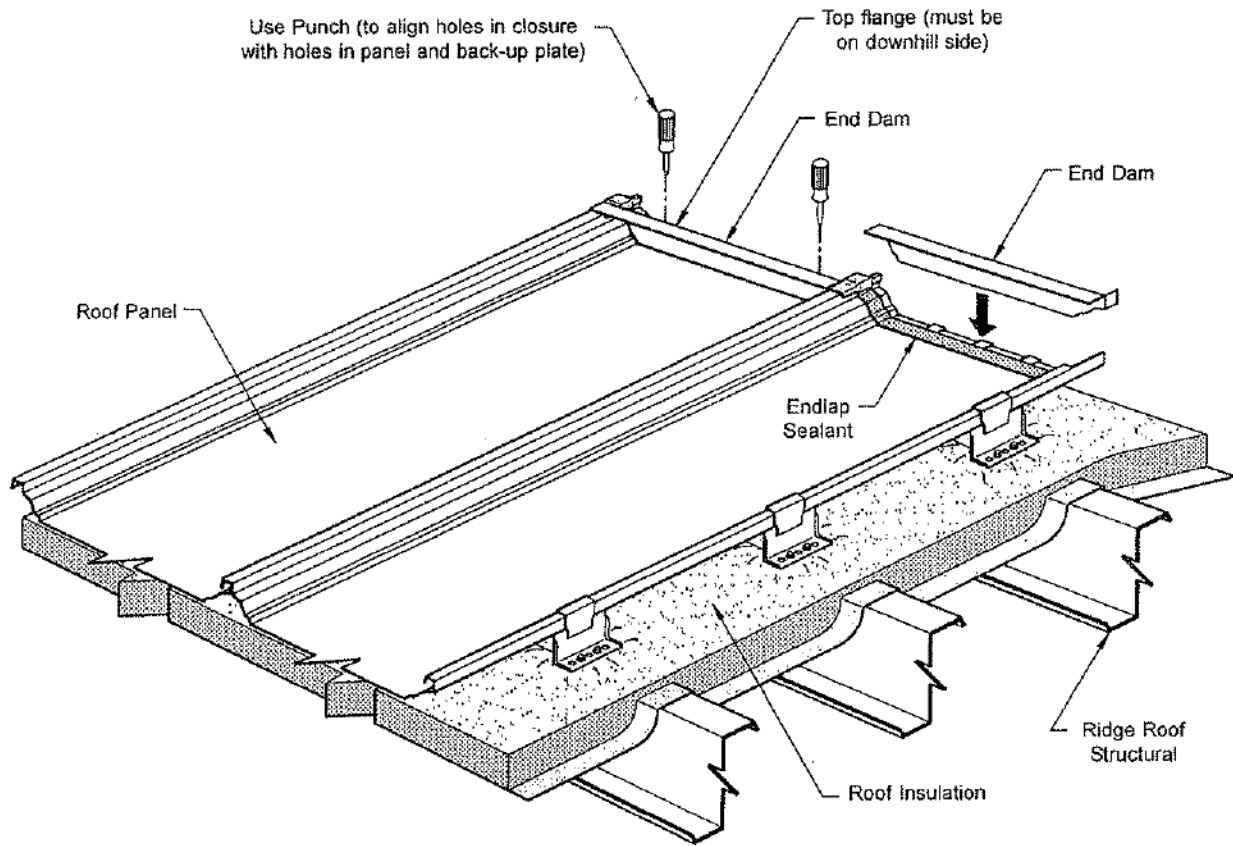


The correct installation of the ridge sealant is critical to the weather resistance of the roof system.

Be sure to verify that the sealant is installed, as shown above, before installing end dams.

After the sealant is correctly positioned, uniformly press the sealant against the roof panel's surface to assure adhesion. Do not use excess pressure, which can thin the sealant.

9.5 END DAM INSTALLATION



Wipe dry and clean the underside surface of the end dam flanges.

Remove the protective paper from the installed ridge sealant.

Position the end dam so it's bottom flanges are turned up-slope and it's top flange is downslope.

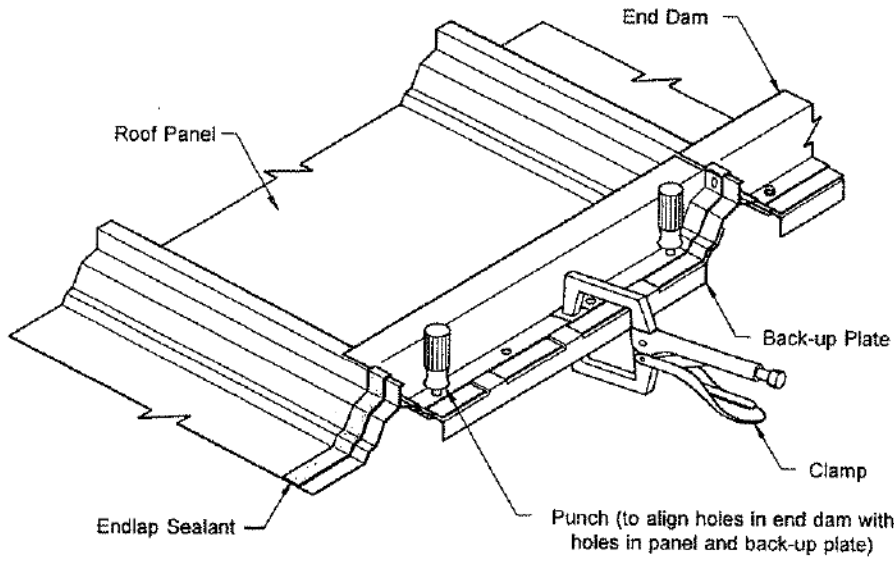
Position the end dam's bottom flange directly over the ridge sealant and use punches to align the holes in the end dam with the factory punched holes in the roof panel and back-up plate.

Be careful not to displace or damage the sealant while installing the end dam and punches.

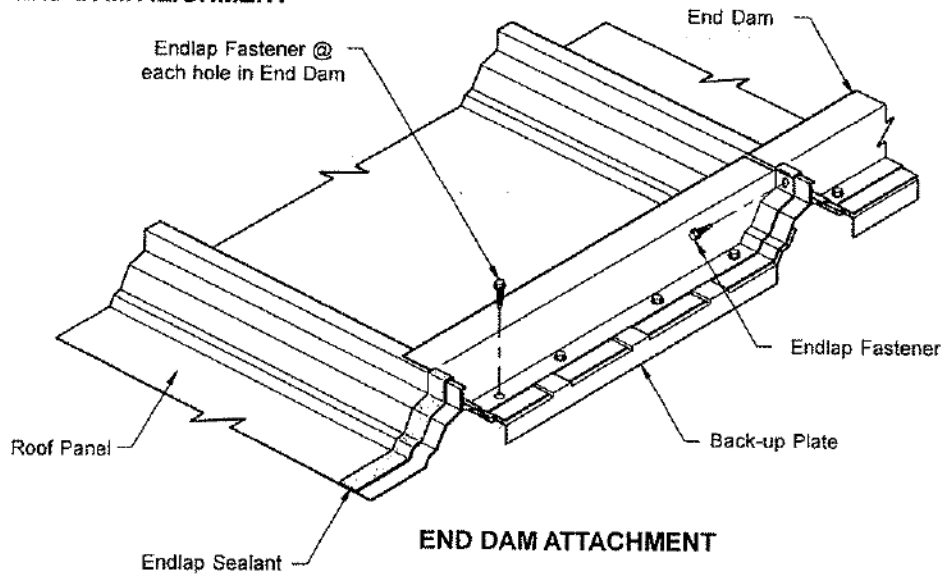


9.5.6 INSTALL END DAMS

9.5 END DAM INSTALLATION



END DAM ALIGNMENT



END DAM ATTACHMENT

While the matching holes are aligned by the punches, uniformly press the end dam into the ridge sealant to assure adhesion. Use a clamp to hold the assembly together while installing the fasteners.

If not, push the top of the end dam to the correct position.

Install a lap fastener through the hole at the top of the end dam, through the roof panel seam and into the hole in the opposite end dam.

Install endlap fasteners through the holes in the end dam's bottom flange.

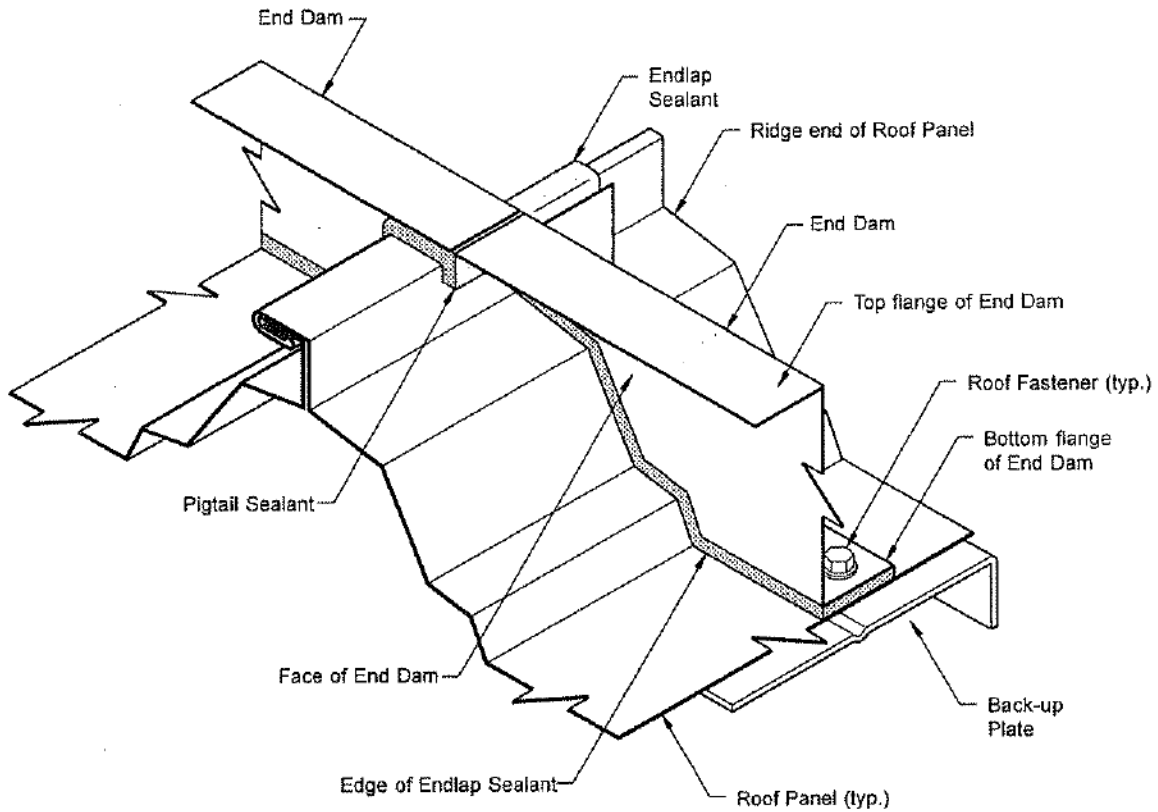
Important: Overtightening this fastener will squeeze the roof panel sidelap assembly together and effect the roof panel's coverage width. Carefully tighten the fastener only as necessary to maintain the correct panel width.

Check that the fasteners penetrate through the center of the ridge sealant and are securely engaged into the back-up plate.

Check that the face of the end dam is perpendicular to the roof panel and aligned with the previously installed end dams.



9.5 END DAM INSTALLATION



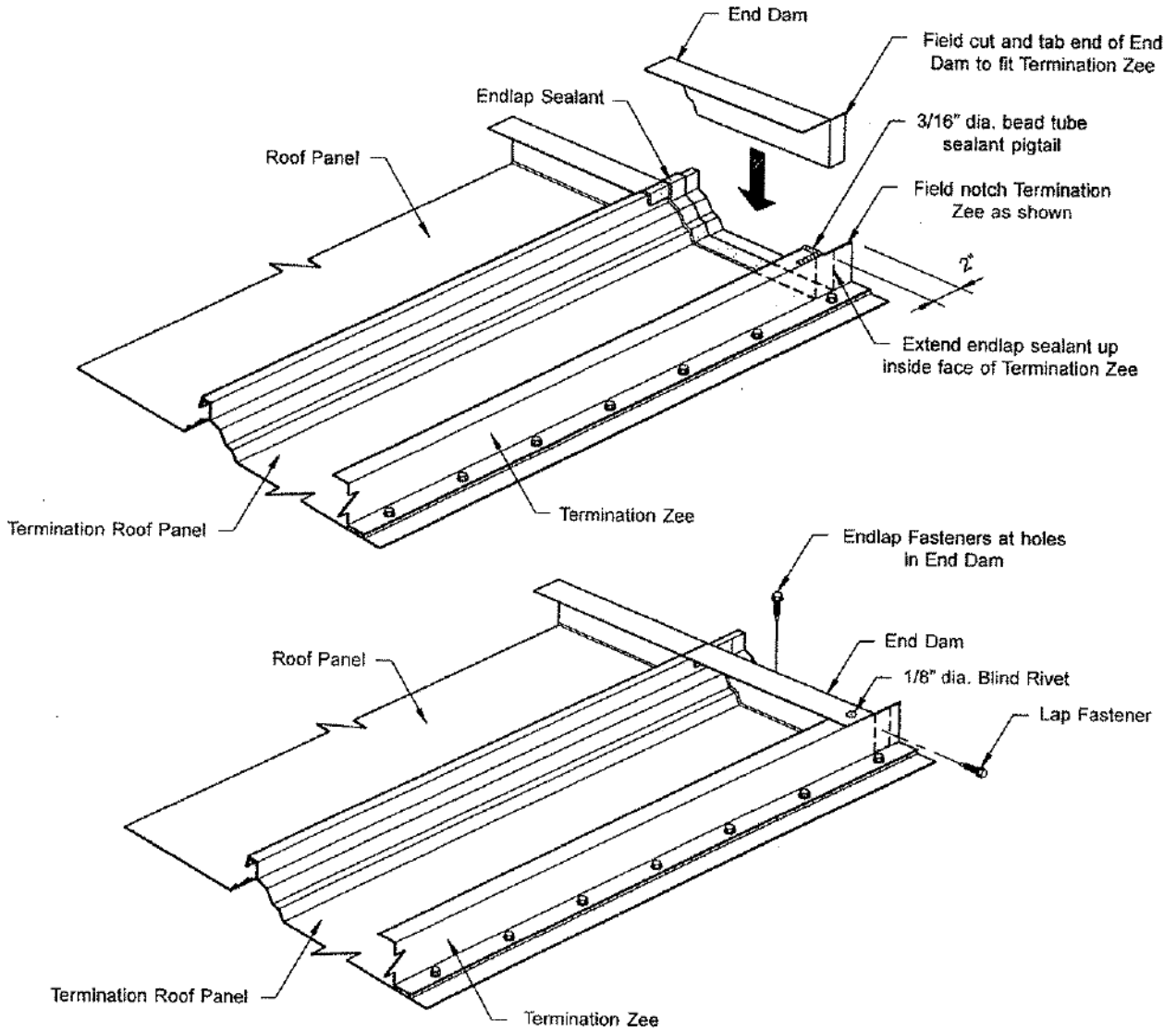
Verify that the end dam is correctly assembled as shown.

Check that there are no un-sealed voids between the roof panel and the end dam, especially in the critical areas around the roof panel ribs and seams.



9.5.8 END DAM ASSEMBLY

9.5 END DAM INSTALLATION

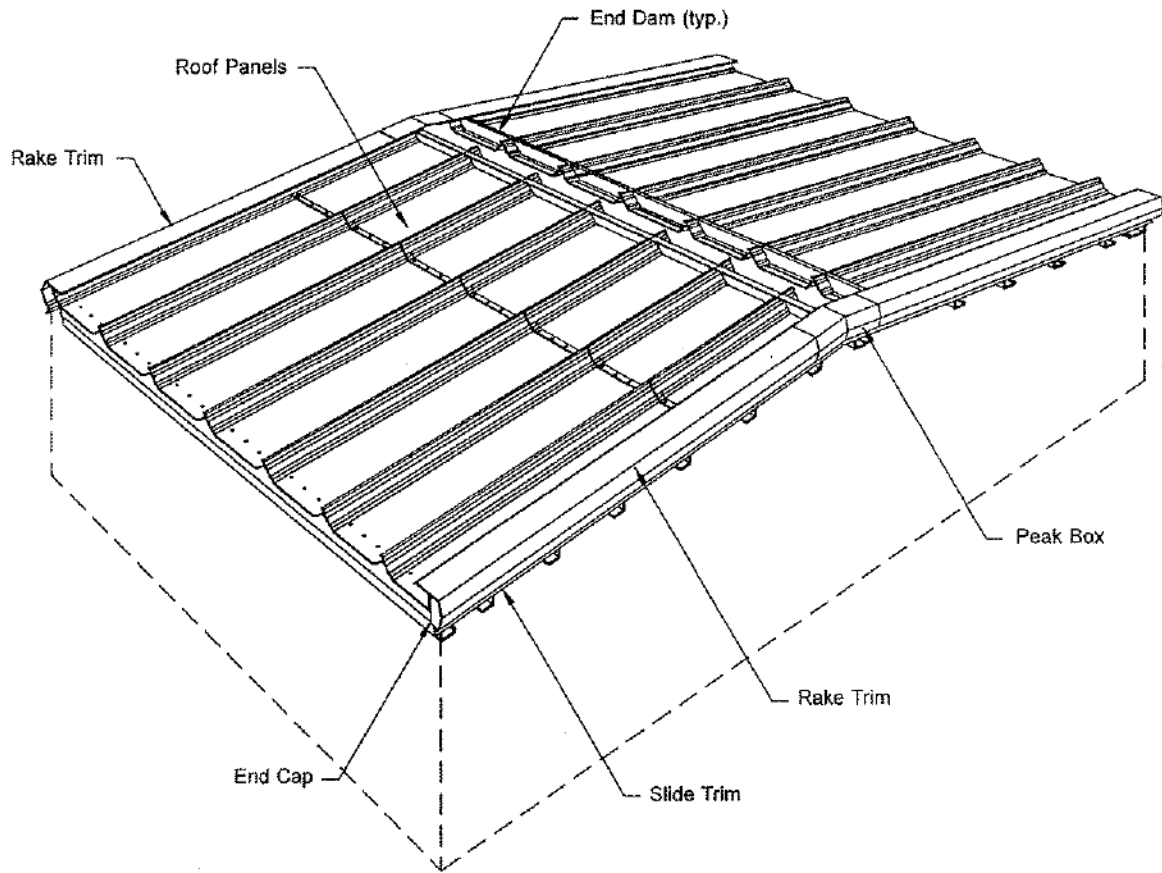


An end dam must be field modified to fit between the roof panel rib and the termination zee.

Field modify the end dam as shown above and install as shown.

Install the ridge sealant to extend up the face of the termination zee, as shown.

9.6 RAKE TRIM INSTALLATION



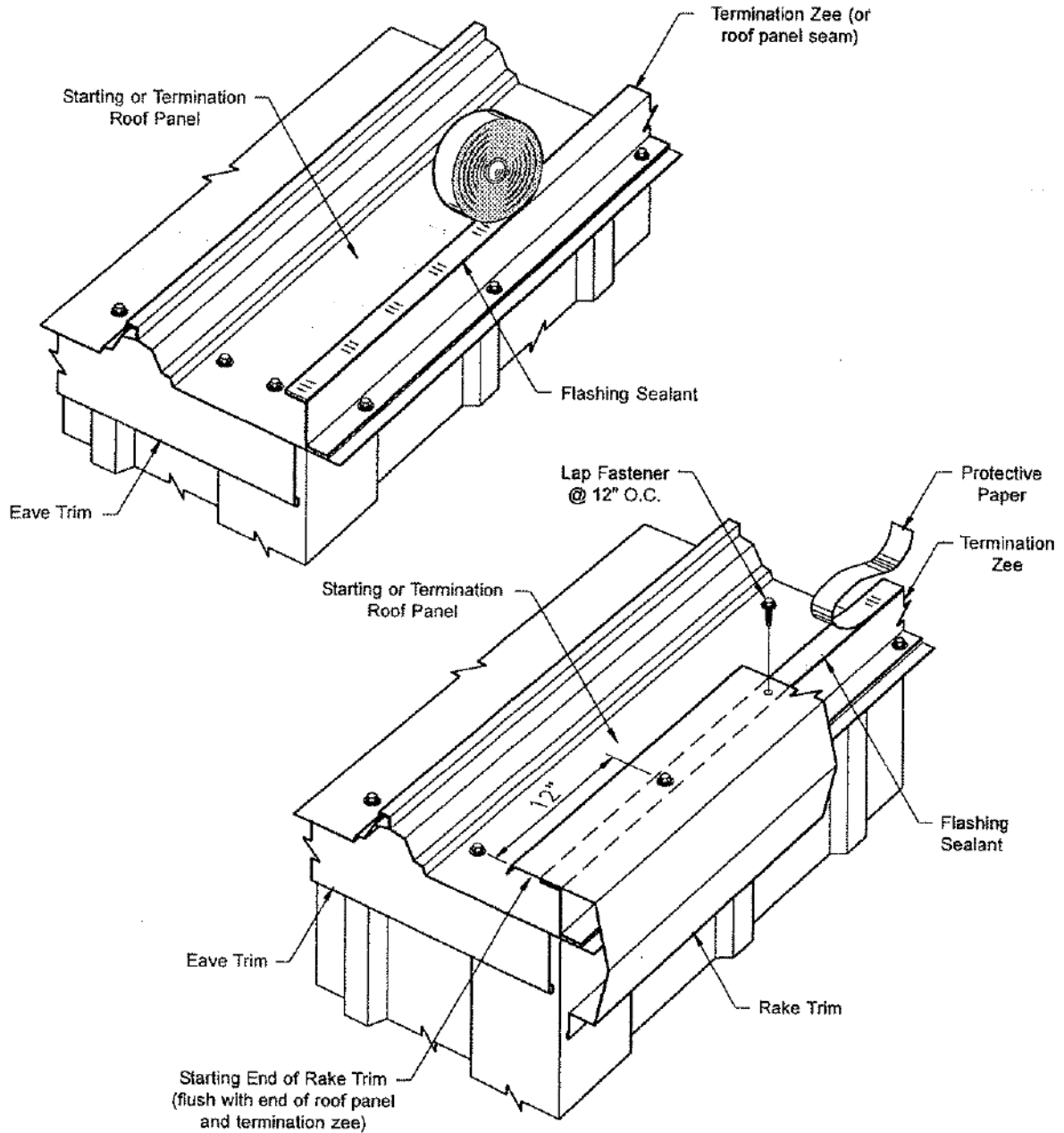
The details in this section show the installation at the rake trim, peak box and end caps.

These details show the rake trim at a termination roof panel condition. The details at a starting roof panel condition are similar.



9.6.1 ORIENTATION VIEW

9.6 RAKE TRIM INSTALLATION



Install the rake trim from eave to ridge, to provide for watershed at the splices.

Install flashing sealant continuous along the top flange of the termination zee (or roof panel seam).

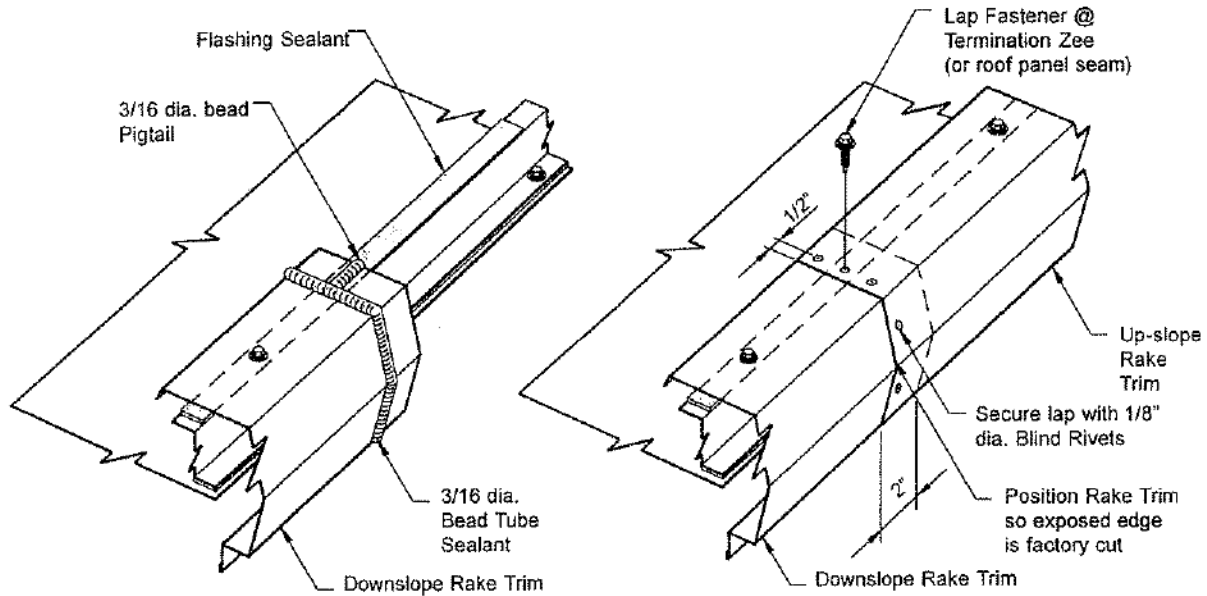
Start the down-slope end of the rake trim flush with the end of the roof panel.

Check that the rake trim is properly aligned with the face of the wall panel.

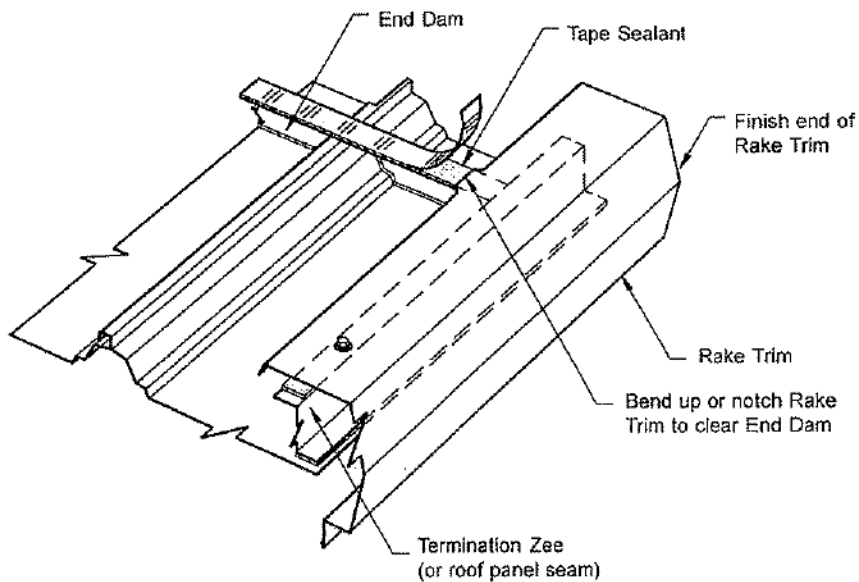
Fasten the rake trim of the termination zee with lap fasteners at 12" spacing, as shown.

Check that the fasteners penetrate the center of the sealant and securely engage the termination zee (or roof panel seam).

9.6 RAKE TRIM INSTALLATION



RAKE TRIM SPLICE



RAKE TRIM @ RIDGE

Assemble rake trim splices with tube sealant and rivets, as shown.

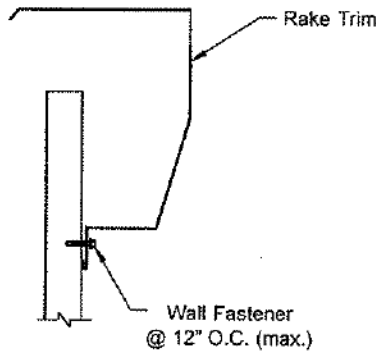
At the ridge, field cut the end of the rake trim 2" away from the center line of the ridge.

Bend or notch the rake trim's lip to clear the top flange of the end dam.

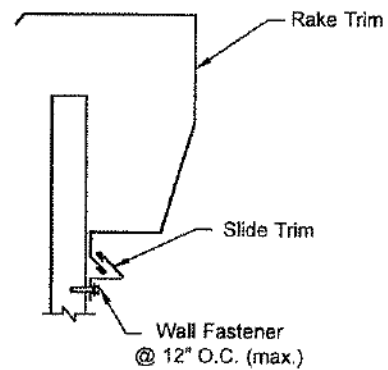
At a high eave transition, field cut the end of the rake trim as required for a weathertight joint with the adjacent construction.



9.6 RAKE TRIM INSTALLATION

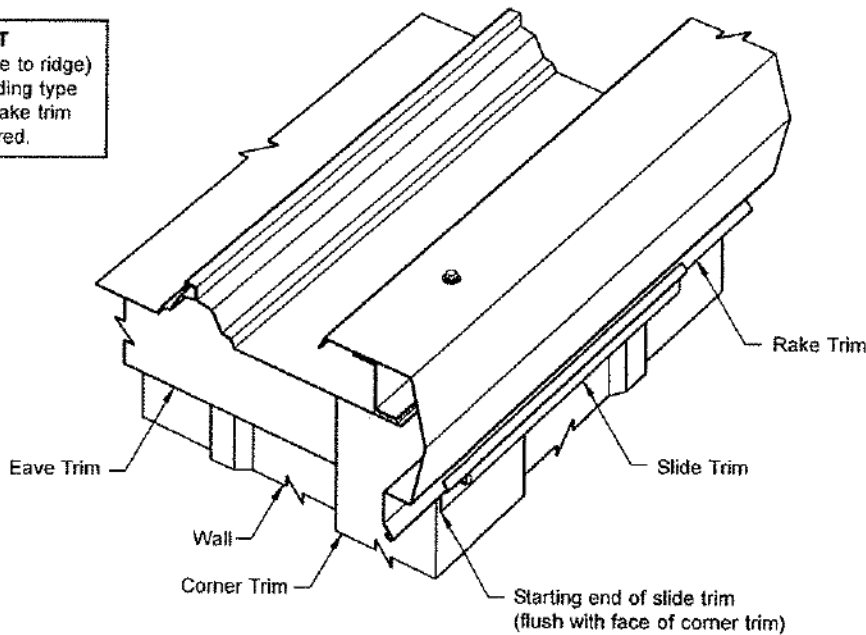


FIXED ATTACHMENT



SLIDING ATTACHMENT

IMPORTANT
For rake lengths (eave to ridge) exceeding 50', a sliding type attachment of the rake trim to wall is required.



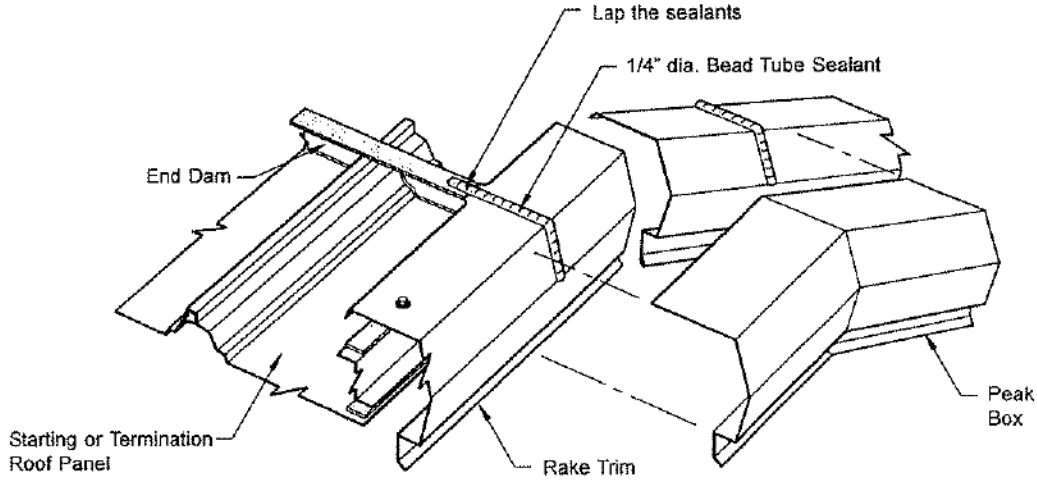
If the rake trim run is 50' or less, the bottom edge of the rake trim can be attached directly to the wall with wall fasteners, as shown.

Install the slide trim continuous along the bottom edge of the rake trim as shown.

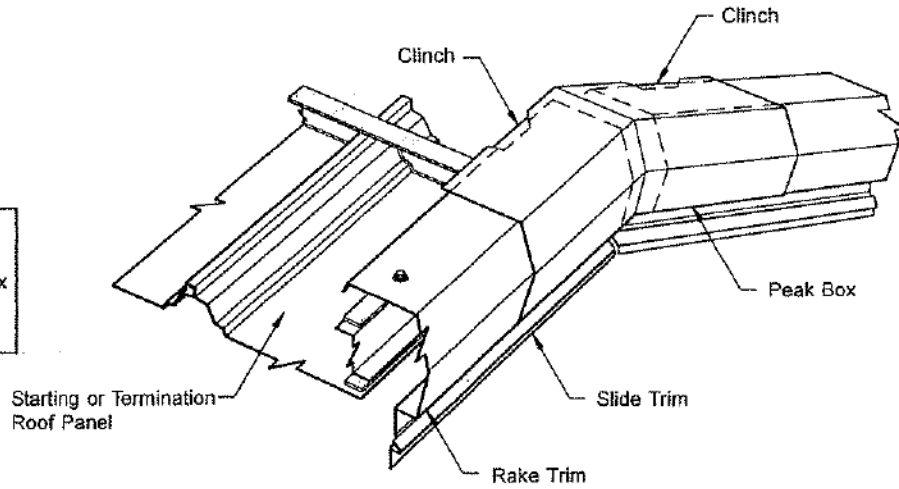
If the rake trim run exceeds 50', the bottom edge of the rake trim must be secured with the slide trim to allow for expansion/contraction.

In all cases, the bottom edge of the rake trim must be installed straight and parallel to the roof line. Use a chalk line to guide the alignment of the rake trim's bottom edge.

9.6 RAKE TRIM INSTALLATION



NOTE
 If slide trim is not required, attach Peak Box to Rake Trim with 1/8" dia. blind rivets.



If the rake trim does not require the slide trim for expansion/contraction, the peak box can be installed with tube sealant and rivets in the same manner as a splice.

If the rake trim requires the slide trim for expansion/contraction, the peak box must be installed as shown on the above details.

Secure the top of the peak box by clinching it's top edge around the top edge of the rake trim.

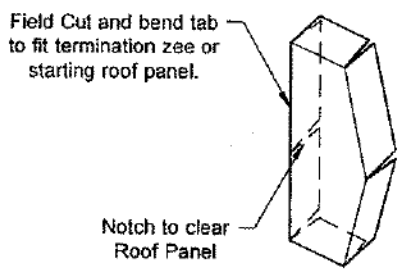
Secure the bottom edge of the peak box with the slide trim.



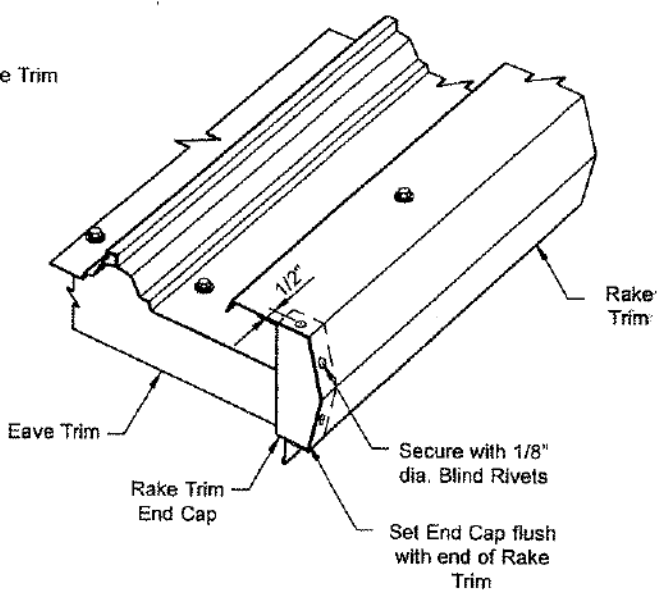
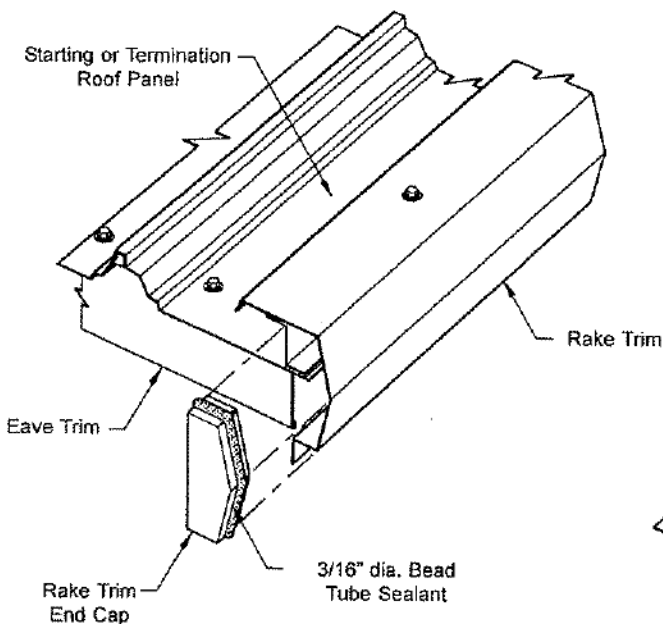
9.6.5 INSTALL PEAK BOX

9.6 RAKE TRIM INSTALLATION

NOTE
 Rake Trim End Cap is not required when eave has Eave Gutter or Eave Box Trim



END CAP DETAIL



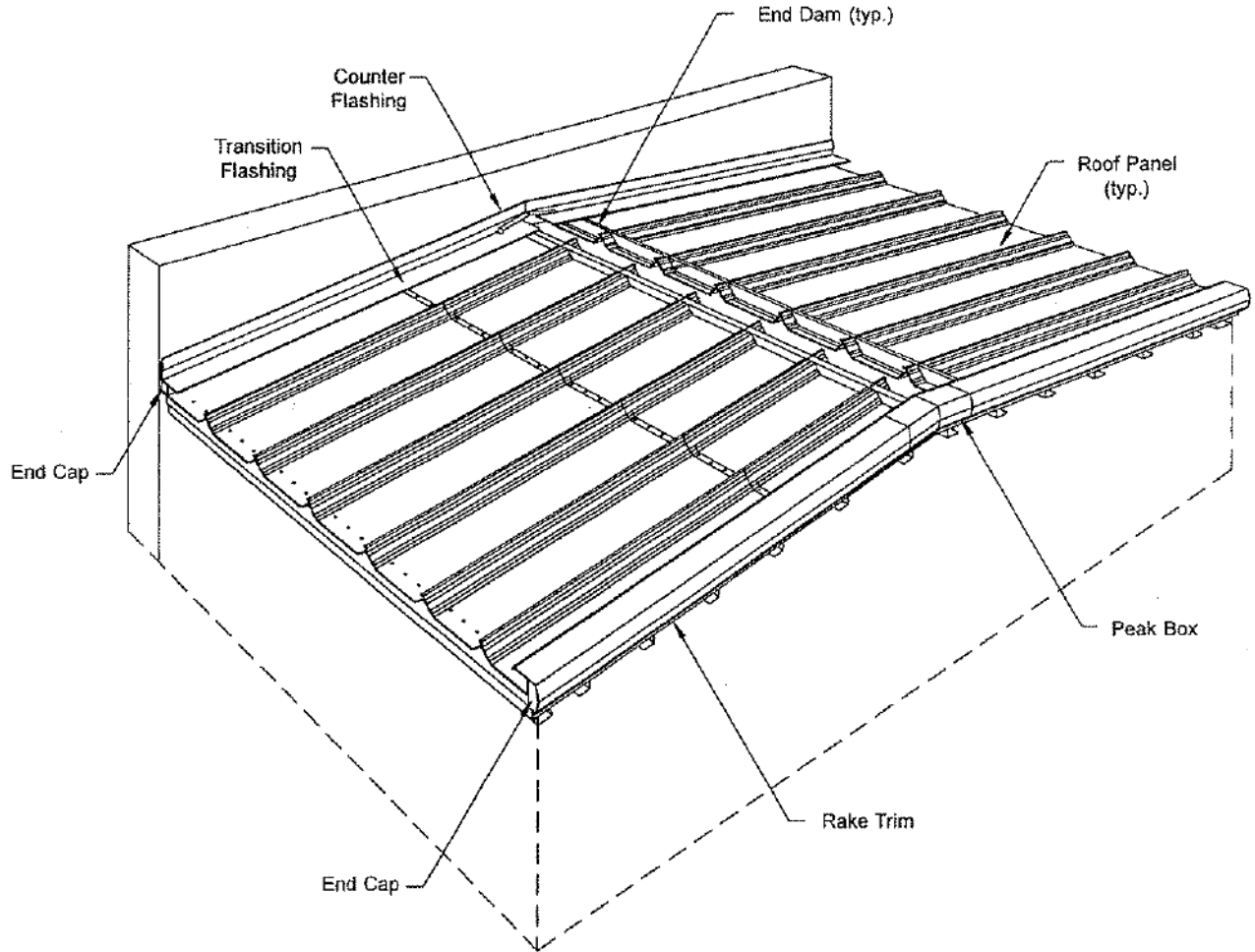
The rake trim end cap is only required for roof applications without eave gutter.

Install the end cap with tube sealant and rivets in the same manner as a splice.

The end cap must be field cut and a tab bent to fit the termination zee or starting roof panel as shown.



9.7 RAKE TRANSITION INSTALLATION



The details in this section show the installation of the rake transition flashing.

Counter flashing details are not shown. Refer to the erection drawings for the required counter flashing.

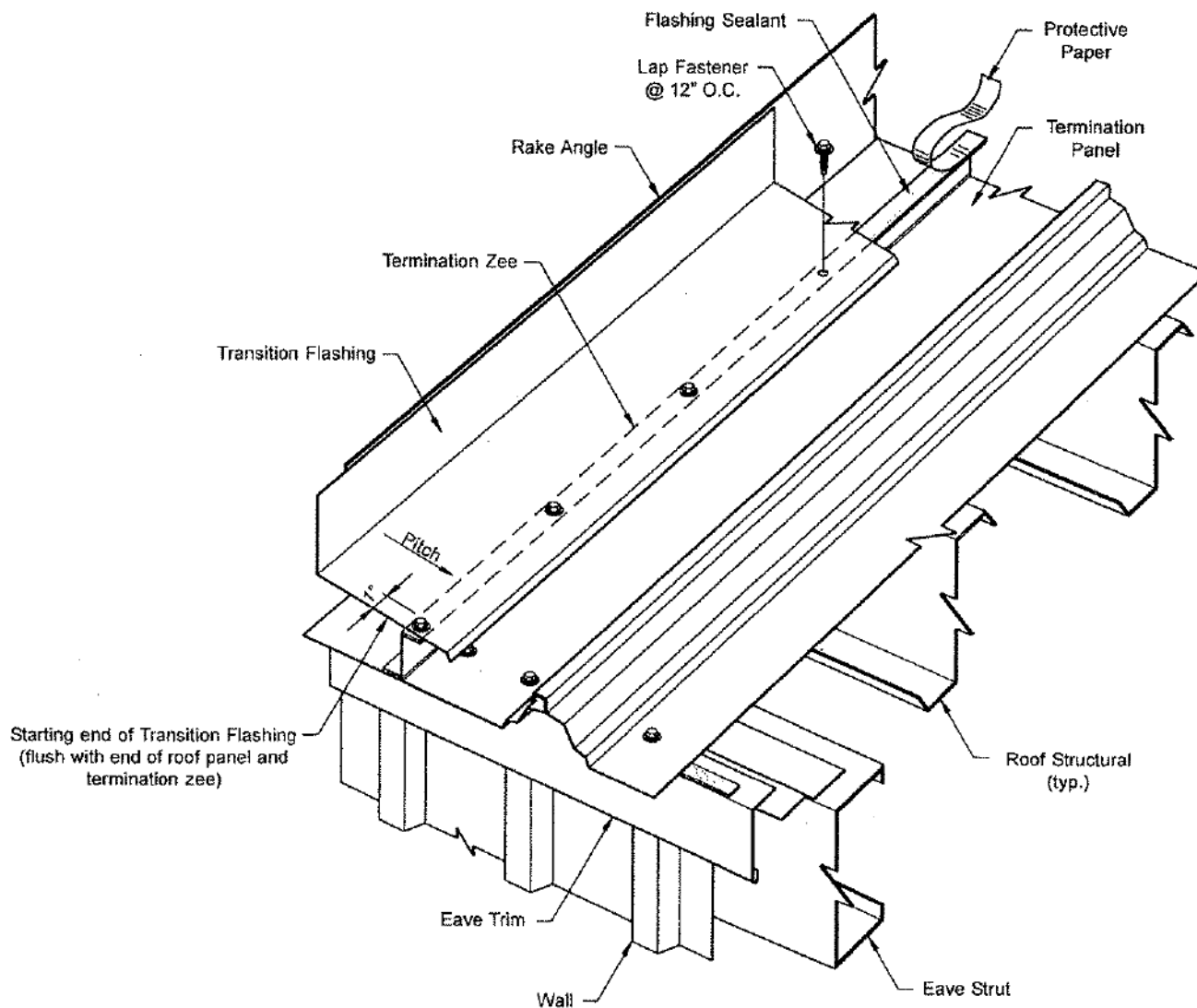
In all cases, verify that counter flashing will:

1. Allow expansion/contraction of the transition flashing.
2. Restrain the transition flashing during roof live loads and wind loads.
3. Provide a weather resistant seal between the transition flashing and the wall.



9.7.1 ORIENTATION VIEW

9.7 RAKE TRANSITION INSTALLATION



Install the transition flashing from eave to ridge, to provide for watershed at the splices.

Check that the flashing is set at a positive pitch, to assure watershed.

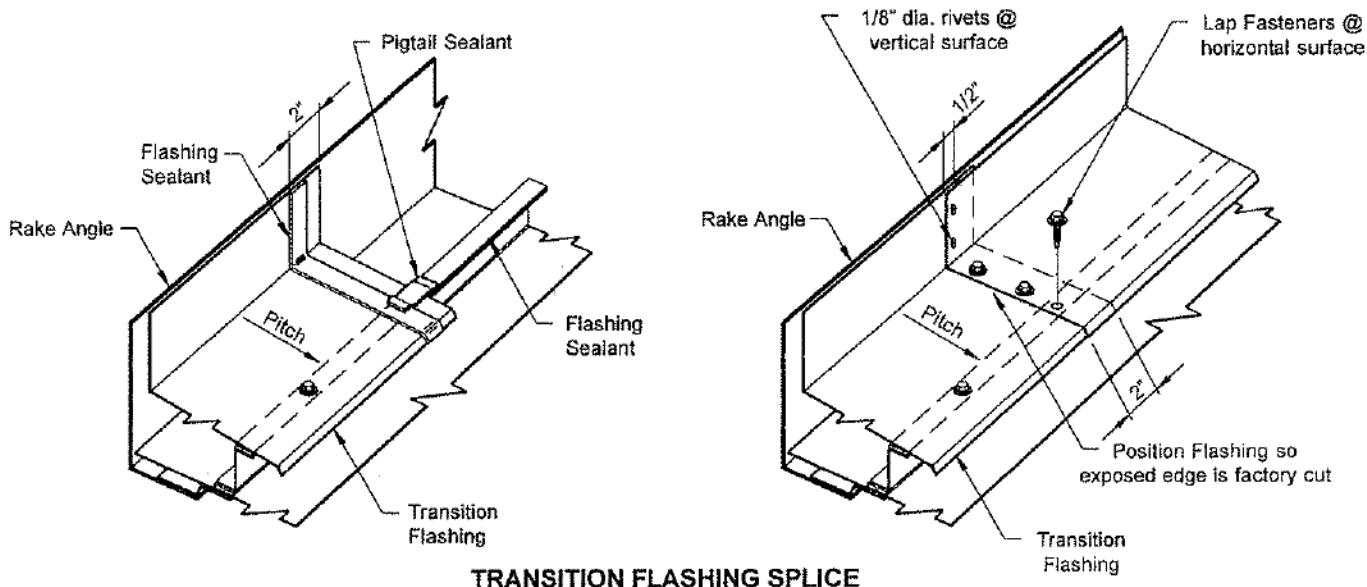
Install flashing sealant continuous along the top flange of the termination zee.

Attach the flashing to the termination zee with the lap fasteners at 12" spacing, as shown.

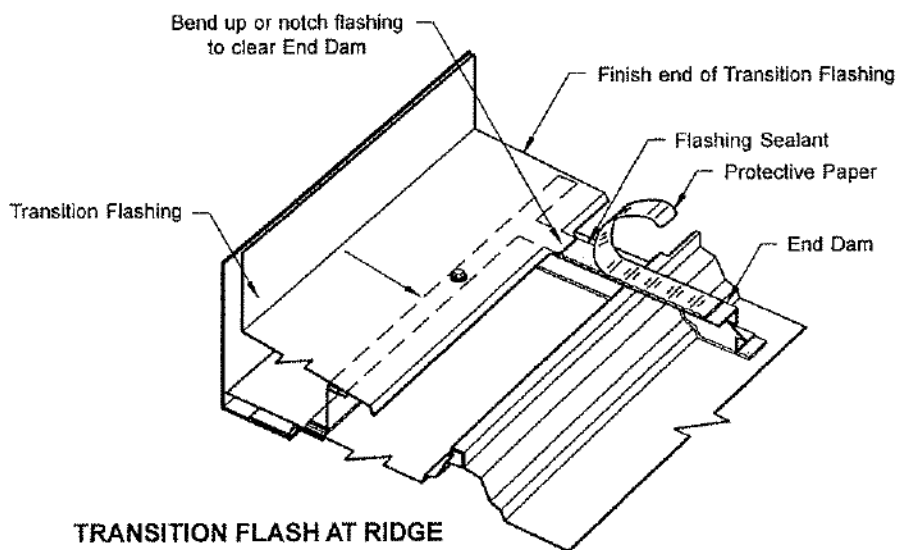
Start the downslope end of the flashing flush with the end of the roof panel and position the back leg flush with the rake angle or wall construction.

Check that the fasteners penetrate the center of the sealant and securely engage the termination zee.

9.7 RAKE TRANSITION INSTALLATION



TRANSITION FLASHING SPLICE



TRANSITION FLASH AT RIDGE

Assemble transition flashing splices with flashing sealant and lap fasteners, as shown. Wipe dry and clean the lapping surfaces of the flashing.

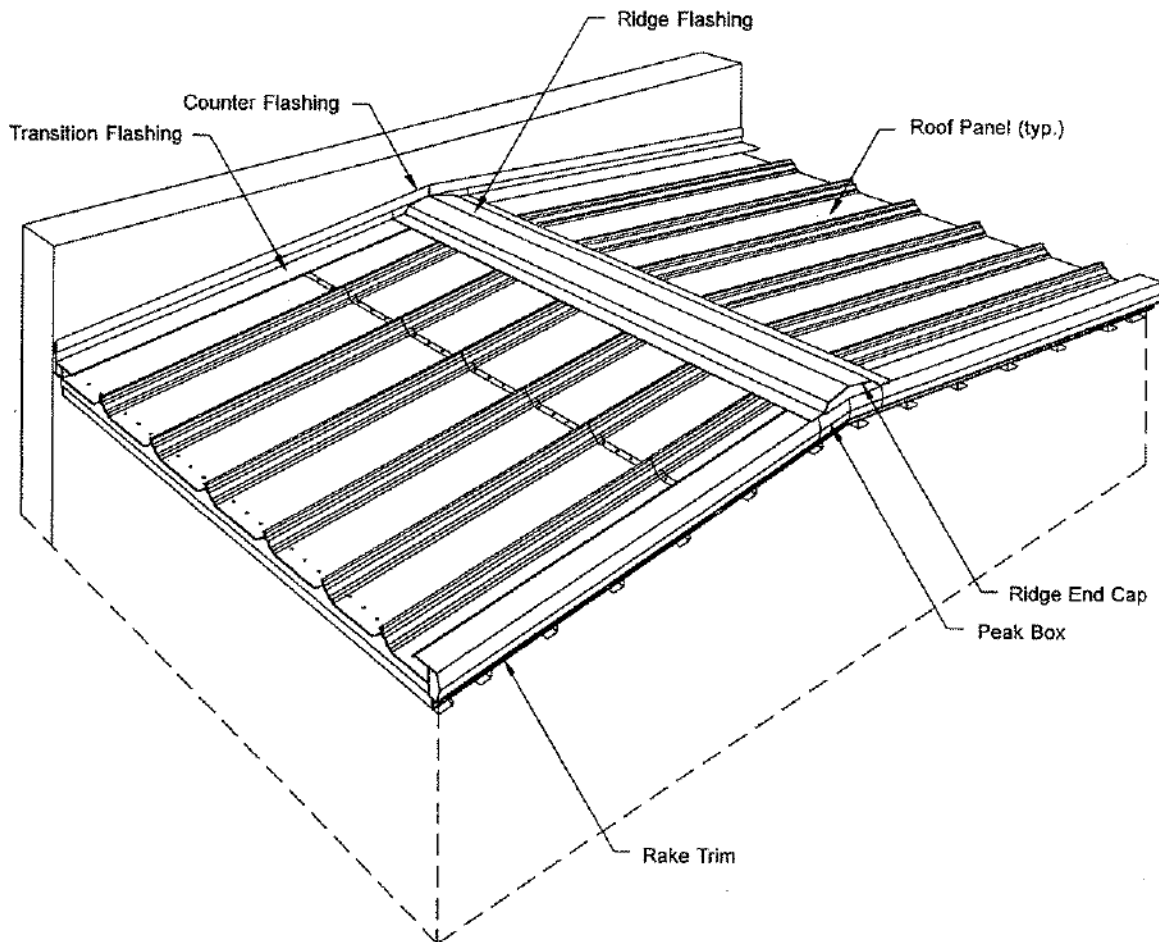
At the ridge, field cut the end of the flashing 2" away from the center line of the ridge.

Bend or notch the flashing's lip to clear the top flange of the end dam.

At a high eave transition, field cut the end of the flashing as required for a weathertight joint with the adjacent construction.



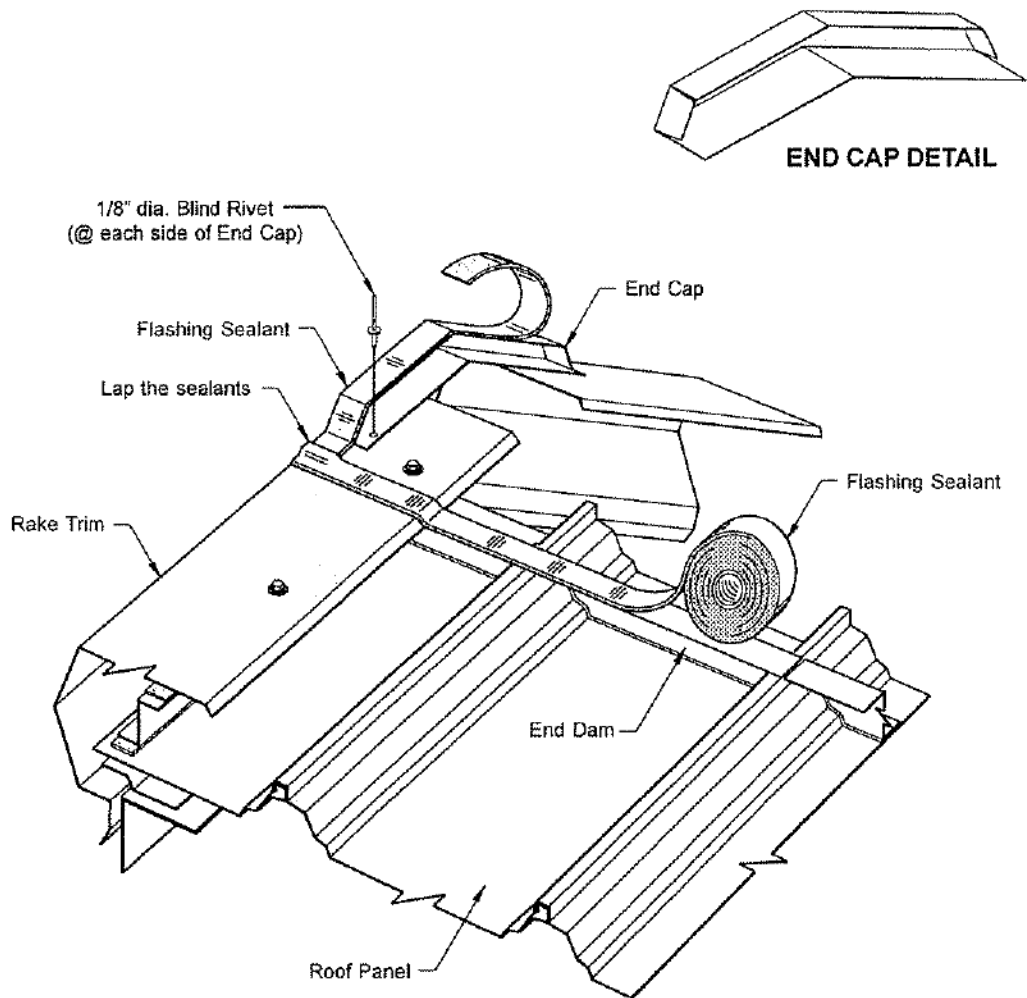
9.8 RIDGE COVER INSTALLATION



The details in this section show the installation of the ridge cover.

The ridge cover can start or finish at either a rake trim condition or a rake transition condition.

9.8 RIDGE COVER INSTALLATION



Position the end cap so it's face is flush with the face of the rake trim.

Fasten the end cap to the rake trim with (2) rivets, as shown.

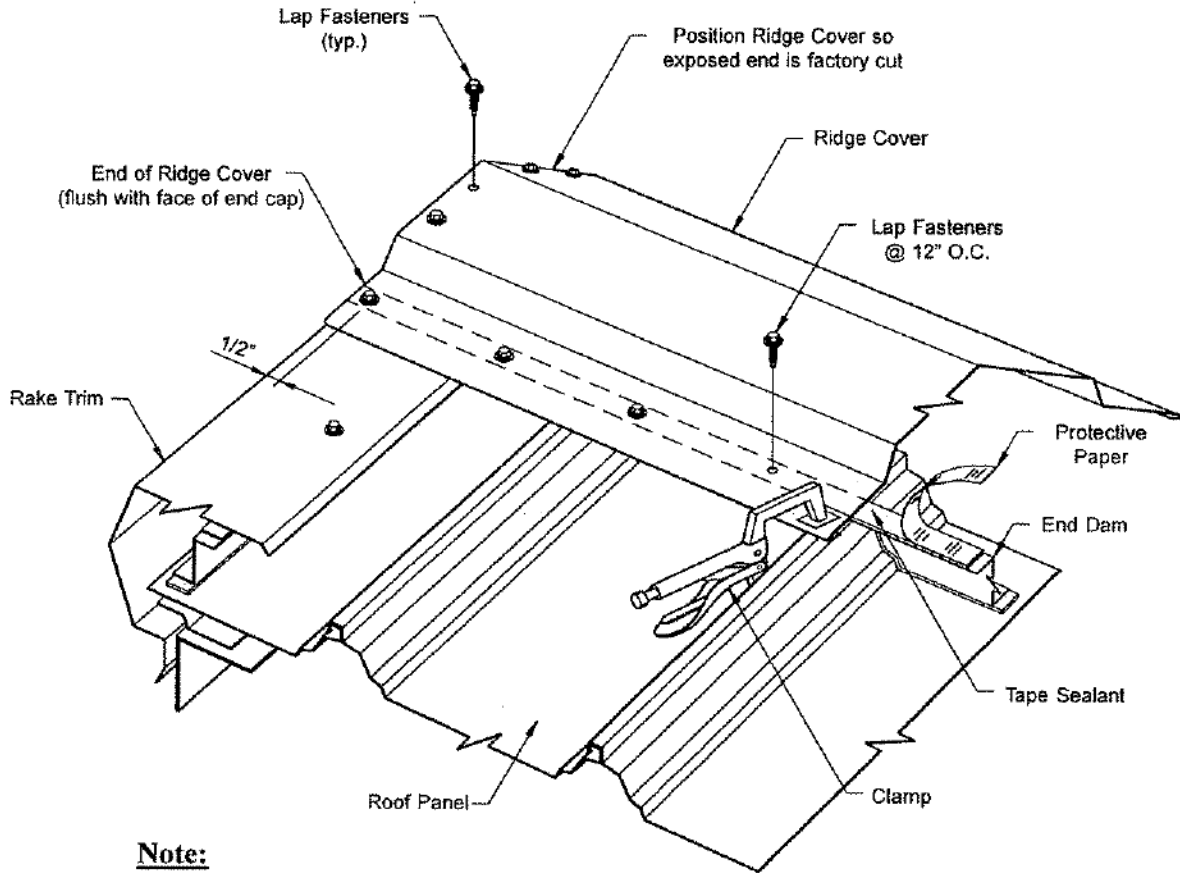
Install flashing sealant on top of the end cap as shown. Align the edge of the sealant flush with face of the end cap and extend the sealant to align with the end dams.

Install flashing sealant continuous along the top flange of the end dams. Lap the end of the sealant over the end cap sealant.



9.8.2 INSTALL END CAP AT RAKE TRIM

9.8 RIDGE COVER INSTALLATION



Note:
Opposite slope roof panels
omitted for clarity.

Install the ridge cover to span across the opposing end dams runs, as shown.

Position the end of the ridge cover flush with the face of the end cap.

Align the center of the ridge cover over the ridge centerline. Use a string line to assure a straight ridge cover installation.

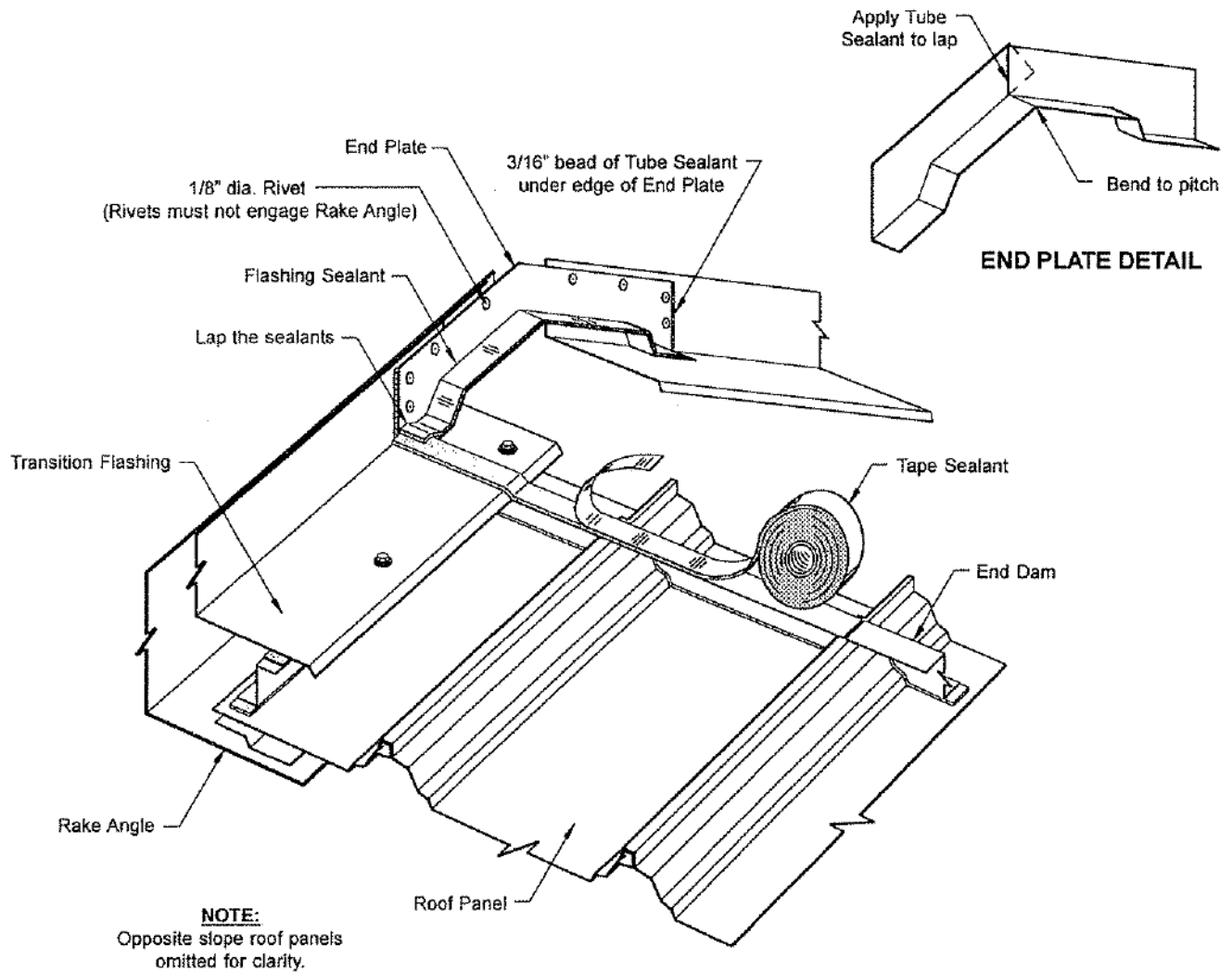
Fasten the ridge cover to the end dams with the lap fasteners, spaced as shown. Check that the fasteners

penetrate the center of the sealant and securely engage the termination zee.

Important: to provide watershed, the ridge cover has to have a positive pitch, even during roof panel contraction.

To increase the ridge cover's pitch: first fasten only one edge of the ridge cover, then push on the opposite edge of the ridge cover to deflect it's center upward, then hold it in this position with clamps while fastening the other edge.

9.8 RIDGE COVER INSTALLATION



Position the end plate so it's face is flush with the face of the transition flashing.

Fasten the end plate to the transition flashing with rivets, as shown.

Install flashing sealant on top of the end plate as shown. Position the edge of the sealant flush against the face of

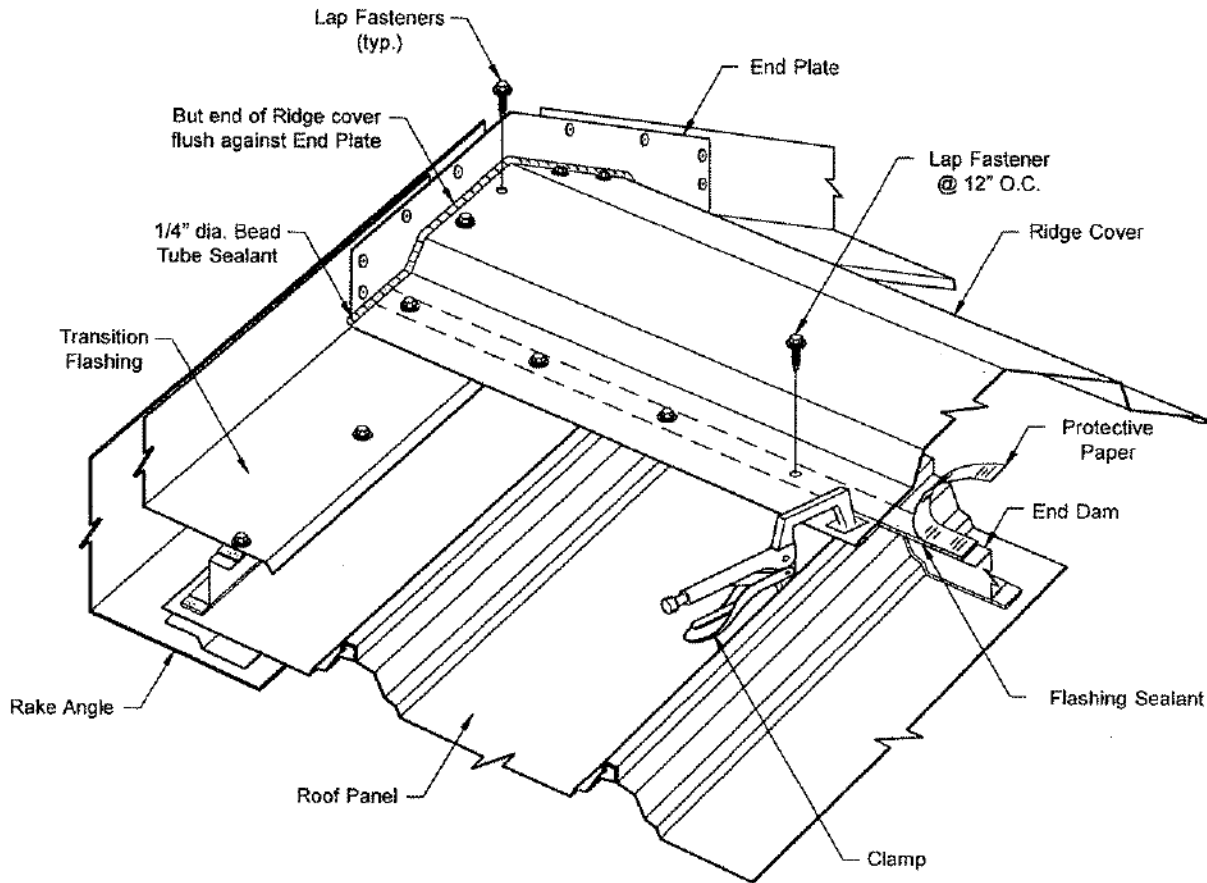
the transition flashing and extend the ends of the sealant to align with the end dams.

Install flashing sealant continuous along the top flange of the end dams. Lap the end of the sealant over the end cap.



9.8.4 INSTALL END CAP AT RAKE TRANSITION

9.8 RIDGE COVER INSTALLATION



NOTE:
Opposite slope roof panels
omitted for clarity.

Install the ridge cover to span across the opposing end dams runs, as shown.

Position the end of the ridge cover flush against the face of the transition flashing.

Align the center of the ridge cover over the ridge centerline. Use a string line to assure a straight ridge cover installation.

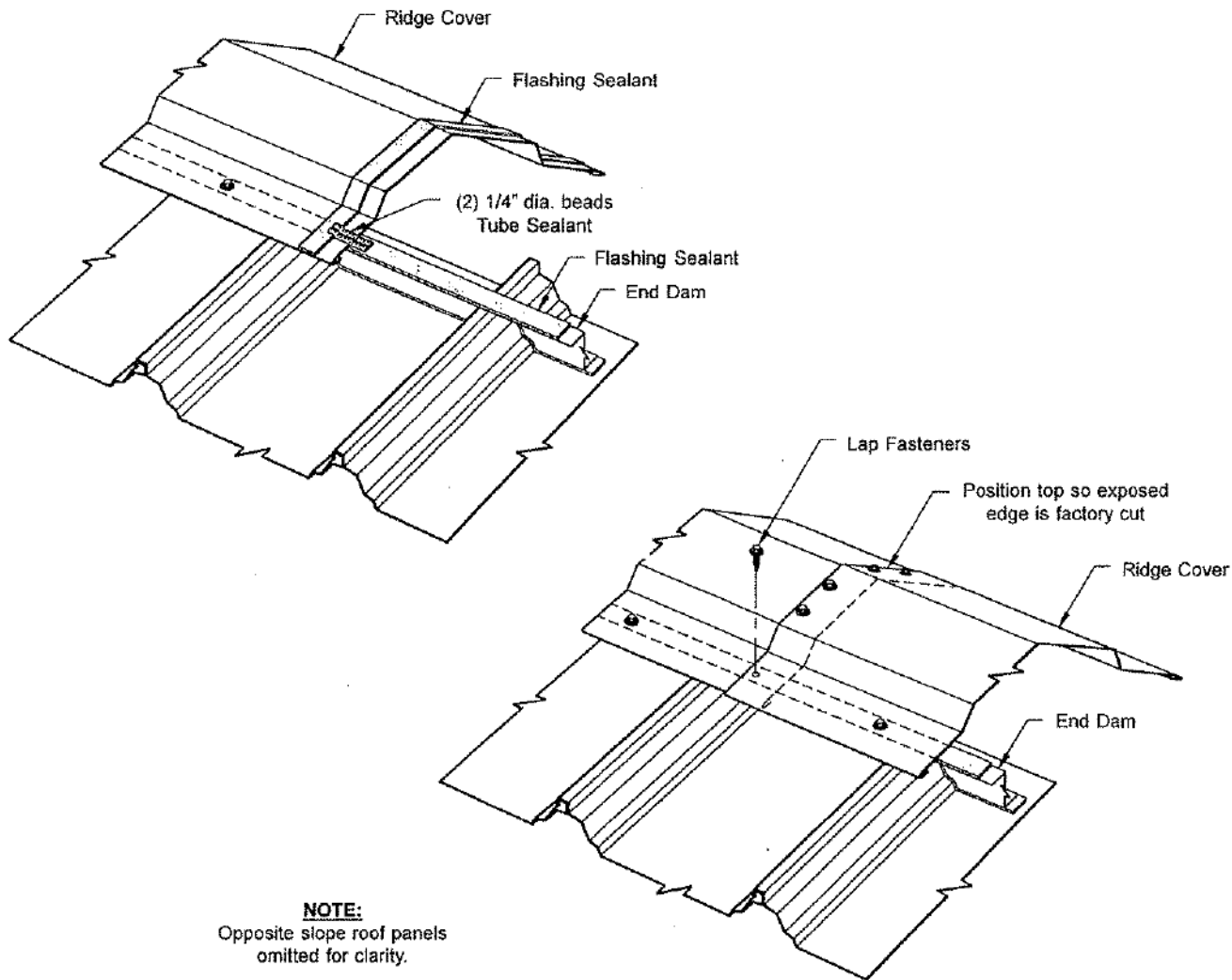
Fasten the ridge cover to the end dams with the lap fasteners, spaced as shown. Check that the fasteners

penetrate the center of the sealant and securely engage the termination zee.

Important: to provide watershed, the ridge cover has to have a positive pitch, even during roof panel contraction.

To increase the ridge cover's pitch: first fasten only one edge of the ridge cover, then push on the opposite edge of the ridge cover to deflect it's center upward, then hold it in this position with clamps while fastening the other edge.

9.8 RIDGE COVER INSTALLATION



NOTE:
 Opposite slope roof panels
 omitted for clarity.

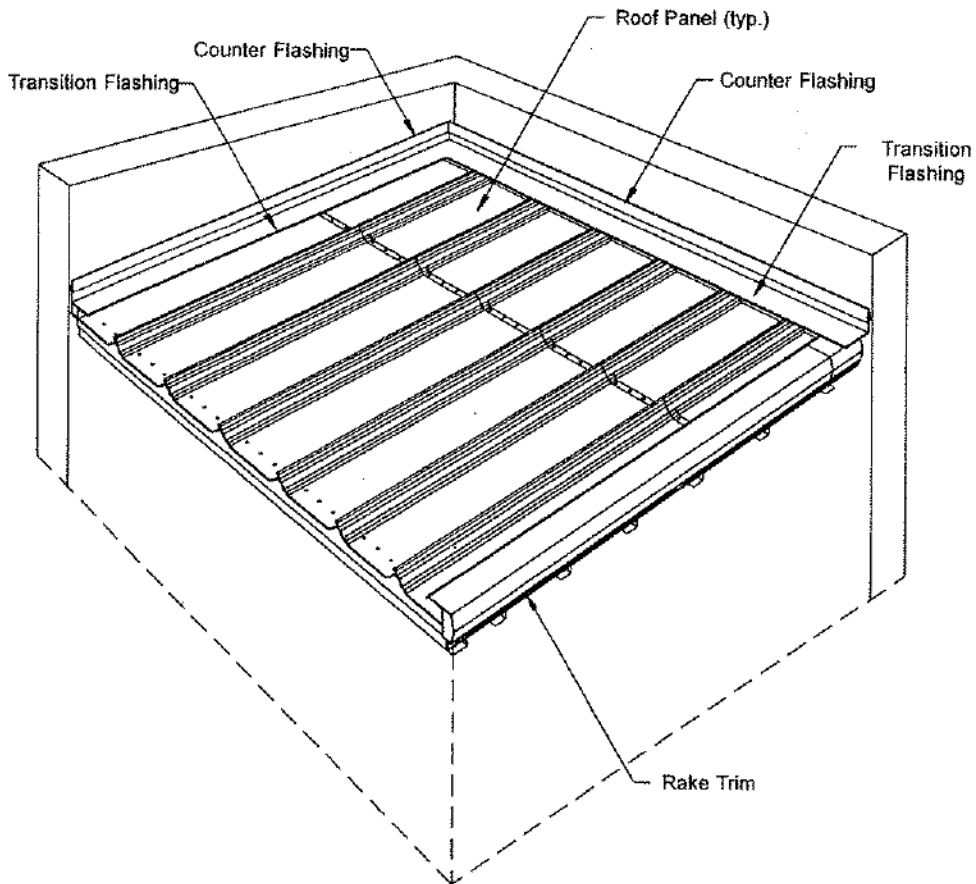
Assemble the ridge cover splices with flashing sealant and lap fasteners, as shown.

Important: the splice fasteners must be installed carefully to avoid downward deflection and buckling of the ridge cover ends.



9.8.6 RIDGE COVER ASSEMBLY
 AT SPLICE

9.9 HIGH EAVE TRANSITION INSTALLATION



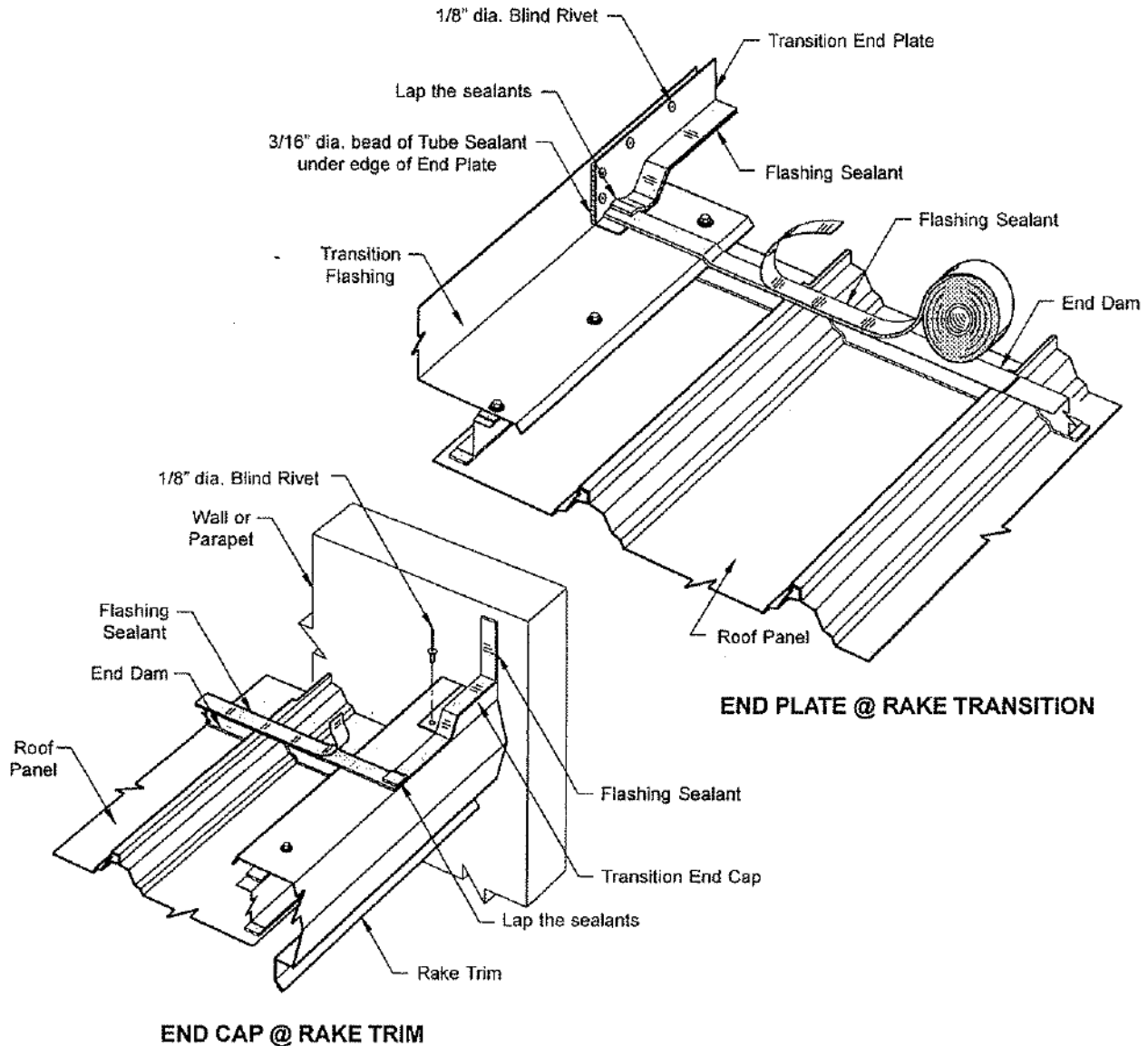
The details in this section show the installation of the high eave transition flashing.

The transition flashing can start or finish at either a rake trim condition or a rake transition condition.

In all cases, verify that counter flashing will:

1. Restrain the transition flashing during roof live loads and wind loads.
2. Provide a weather resistant seal between the transition flashing and the wall.

9.9 HIGH EAVE TRANSITION INSTALLATION



Field cut the end cap or end plate to fit, as shown.

Position the end plate so it's face is flush with the face of the rake trim or transition flashing.

Fasten the end cap or end plate with rivets, as shown.

Install flashing sealant on top of the end cap or end plate, as shown. Align the edge of the sealant flush with face of

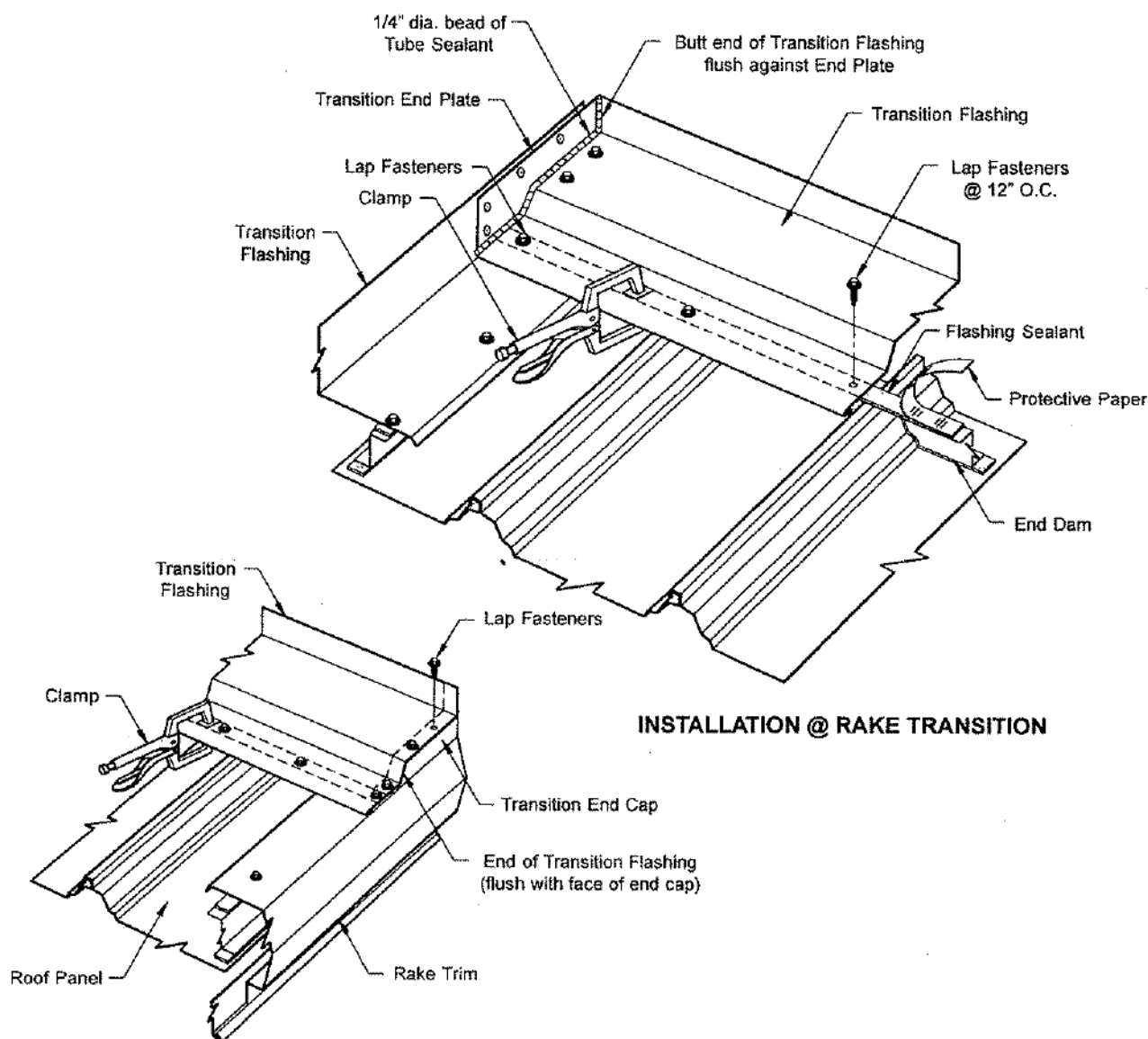
the end cap or transition flashing and extend the sealant to align with the end dams.

Install flashing sealant continuous along the top flange of the end dams. Lap the end of the sealant over the end cap sealant.



9.9.2 INSTALL END CAP OR END PLATE AT RAKE TRIM OR RAKE TRANSITION

9.9 HIGH EAVE TRANSITION INSTALLATION



INSTALLATION @ RAKE TRANSITION

INSTALLATION @ RAKE TRIM

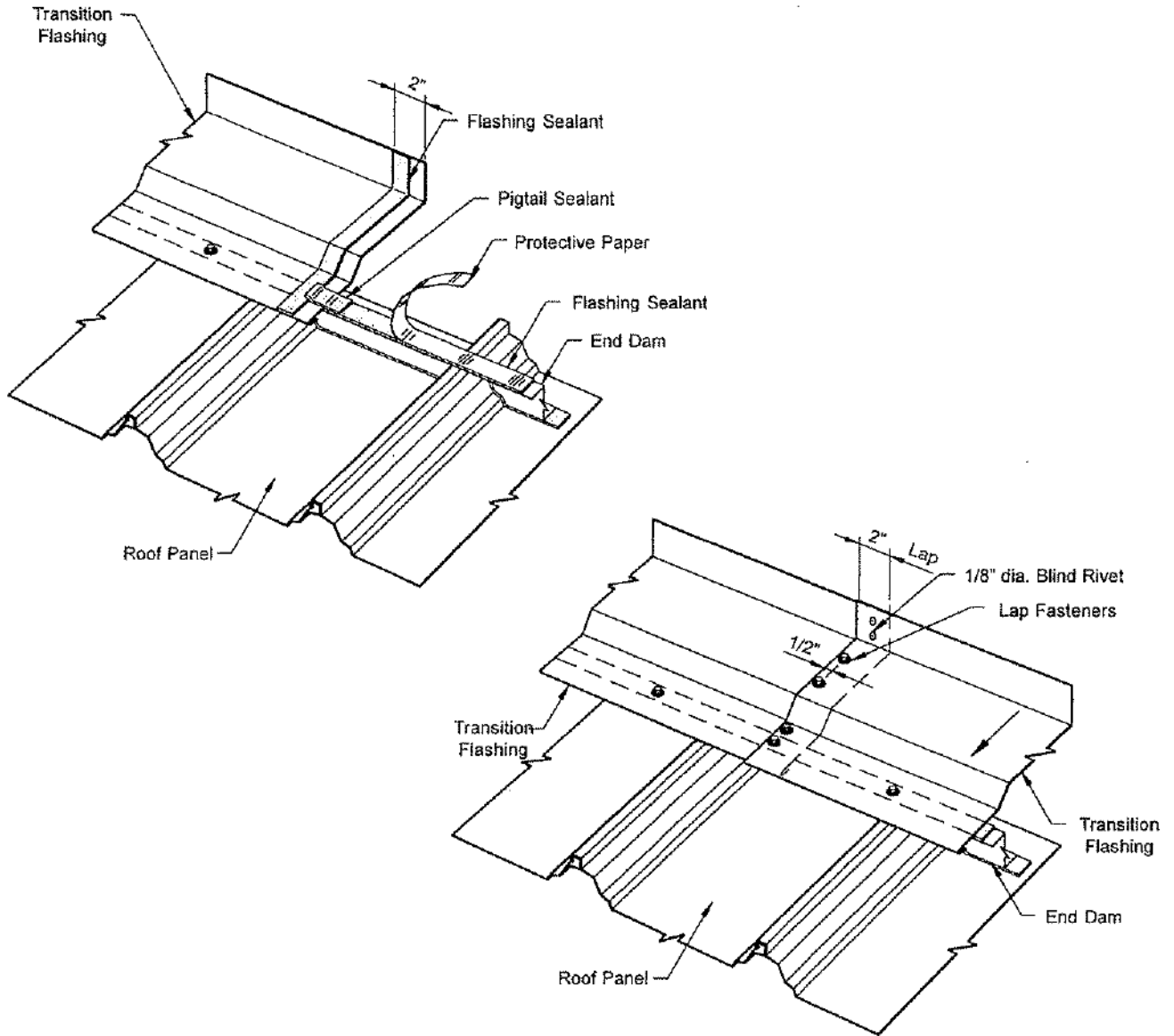
Install the transition flashing to span across the opposing end dams runs, as shown.

Position the end of the flashing flush with the face of the end cap or rake transition flashing and position the back leg flush with the wall construction.

Check that the flashing is set at a positive pitch, to assure watershed.

Fasten the transition flashing to the end dams with the lap fasteners, spaced as shown. Check that the fasteners penetrate the center of the sealant and securely engage the termination zee.

9.9 HIGH EAVE TRANSITION INSTALLATION



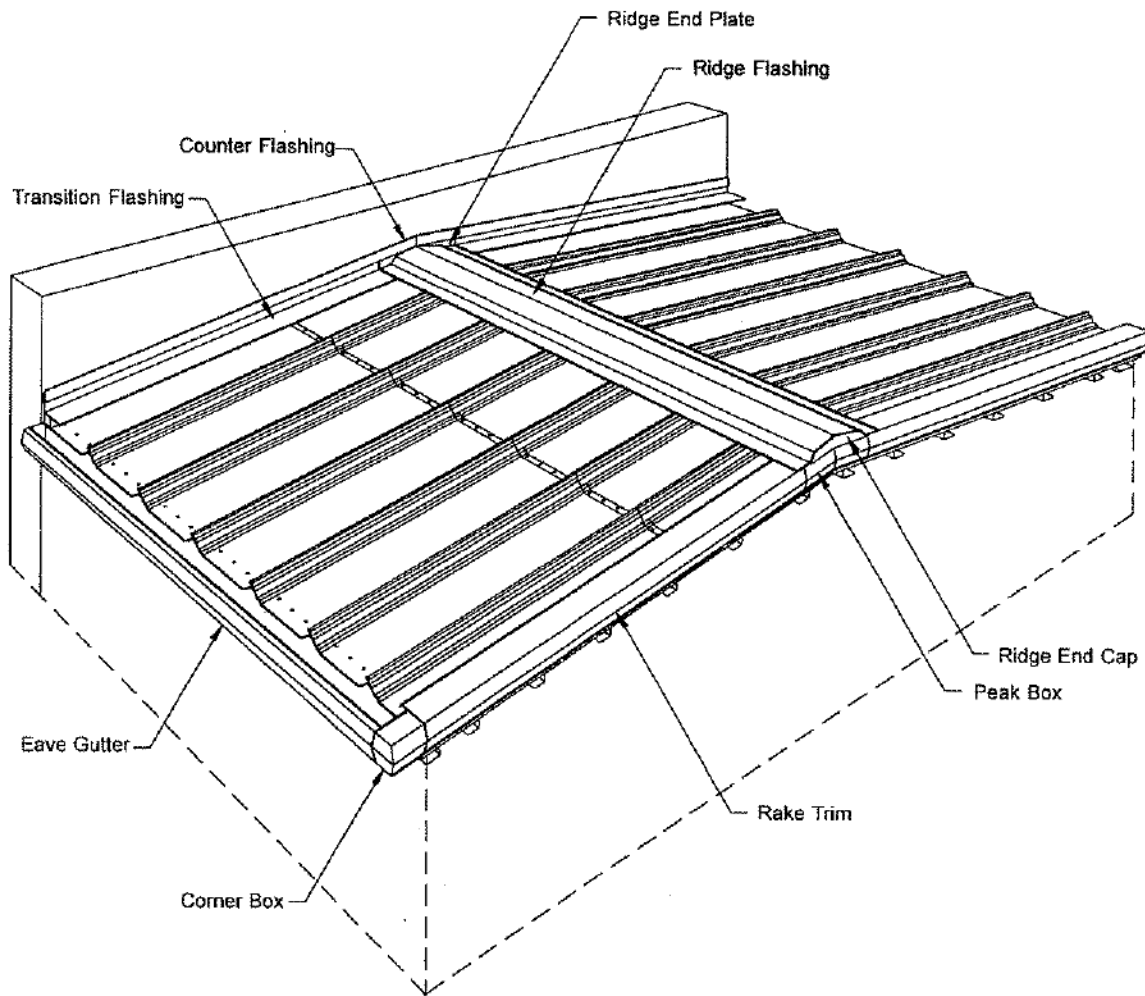
Assemble the transition flashing splices with flashing sealant and lap fasteners, as shown.

Important: the splice fasteners must be installed carefully to avoid downward deflection and buckling of the flashing ends.



9.9.4 TRANSITION FLASHING ASSEMBLY AT SPLICES

9.10 EAVE GUTTER INSTALLATION



The details in this section show the assembly and the installation of the eave gutter.

Assembly of the gutter should be accomplished with care given to the final appearance. The appearance of the gutter will have a critical effect on the appearance of the project.

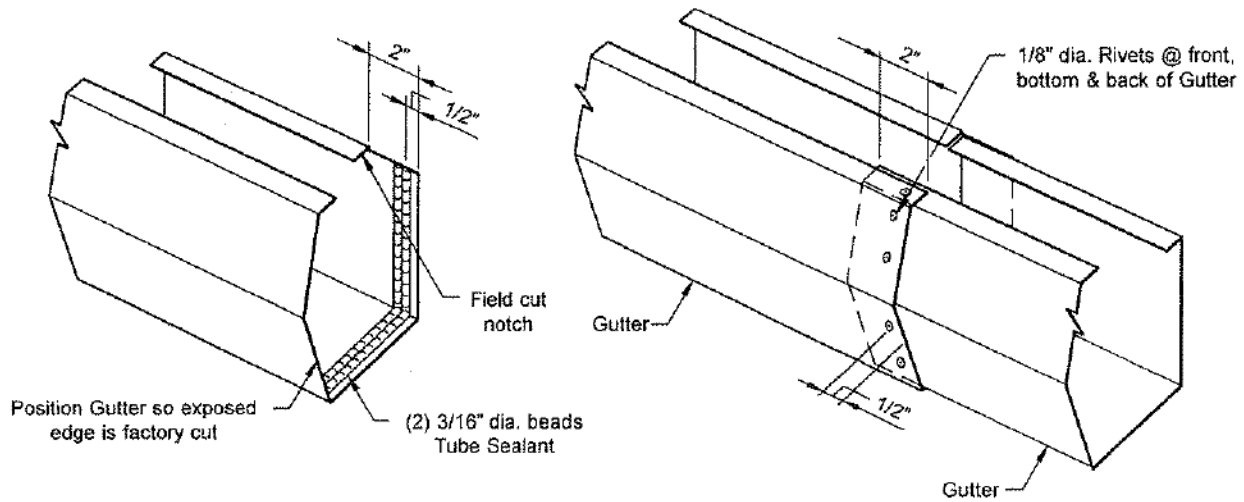
Determine which direction the building is most often viewed from. Install gutter laps facing away from the most often viewed direction.

Proper downspouts are necessary to prevent gutter overflow and roof flooding. Refer to the erection drawings to determine the required downspout size, spacing and specific locations.

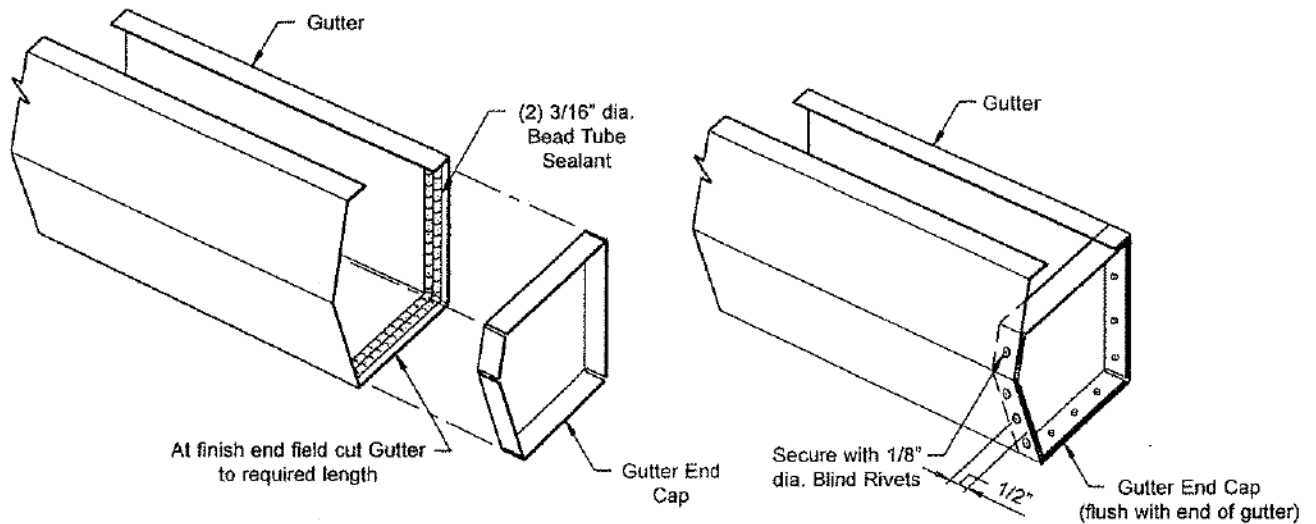
9.10.1 ORIENTATION VIEW



9.10 EAVE GUTTER INSTALLATION



EAVE GUTTER SPLICE



EAVE GUTTER END CAP

Layout the gutter assemblies before installation on the roof.

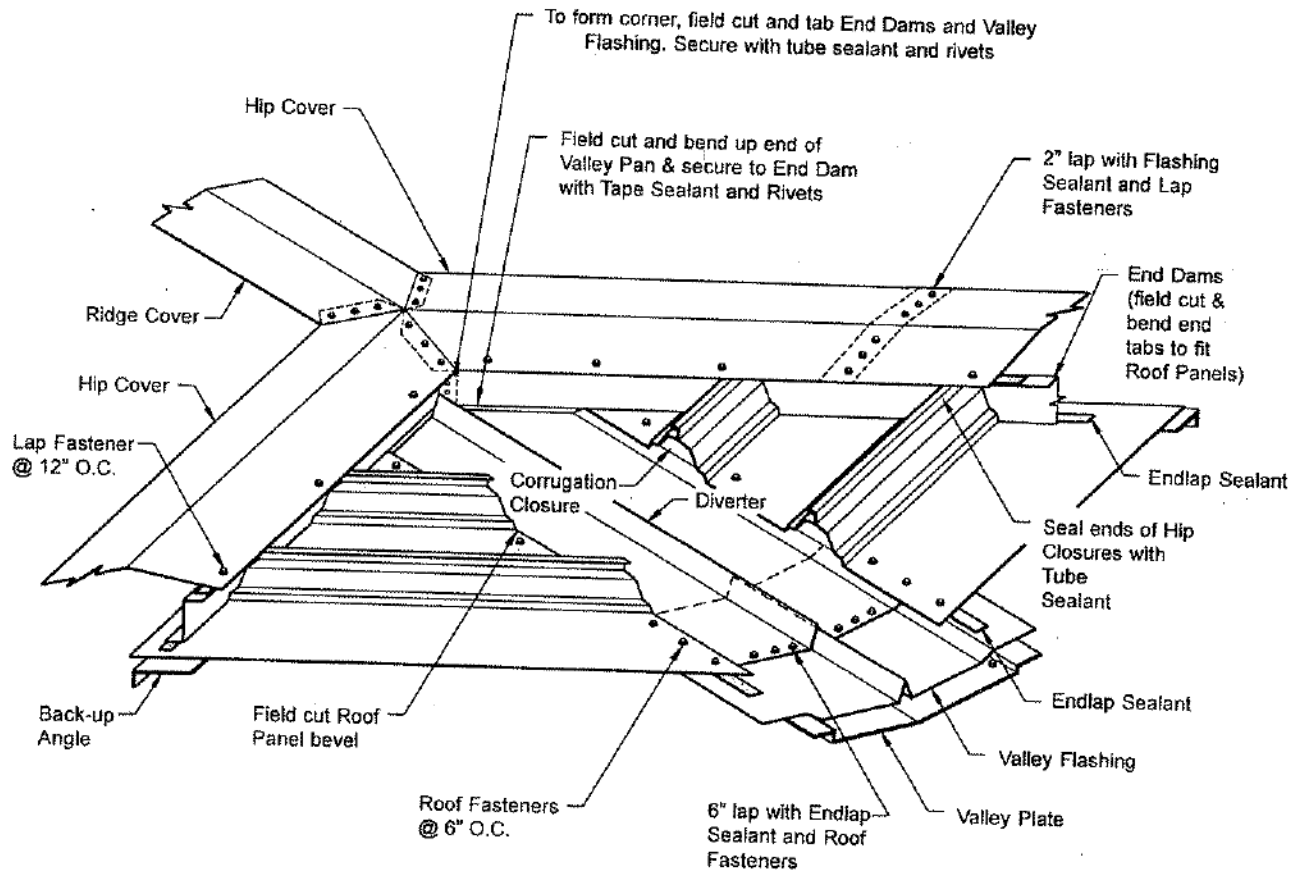
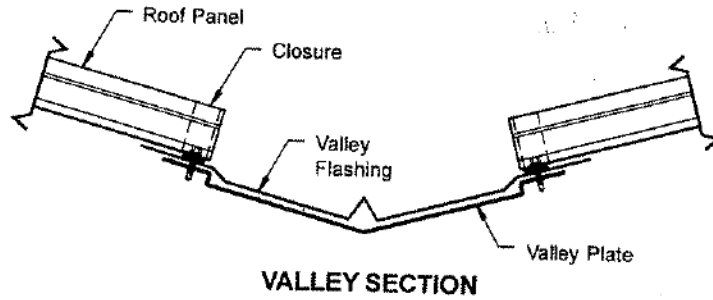
Assemble the gutter end caps and splices with tube sealant and rivets, as shown on the above details.

Start and finish the gutter ends flush with the exterior face of the rake walls.



9.10.2 ASSEMBLE EAVE GUTTER

9.11 HIP AND VALLEY INSTALLATION



The above details show typical hip and valley details. Refer to the erection drawings for specific hip and valley details.

Hip conditions are similar to ridge conditions, except special end dams and back-up angles are required to accommodate the beveled roof panel ends.