

STANDARD DETAILS

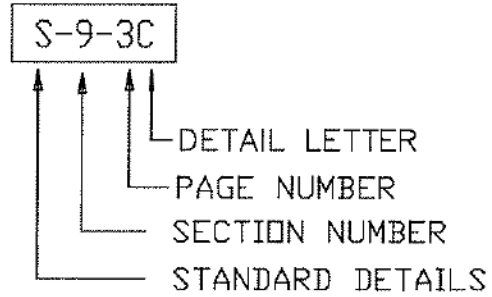
LUDWIG BUILDINGS, LLC

521 TIMESAVER AVE. (504) 733-6260
P.O. BOX 23134 HARAHAN, LA. 70183
FAX NO. (504) 733-7458



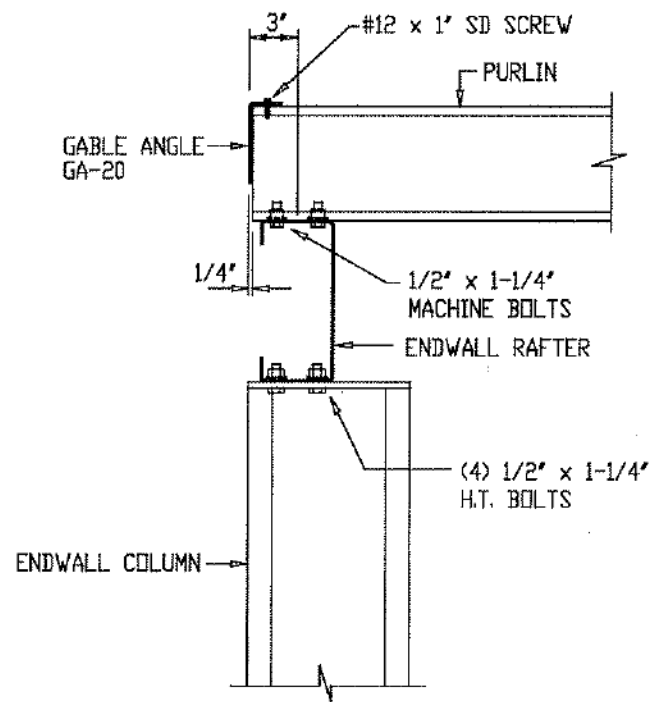
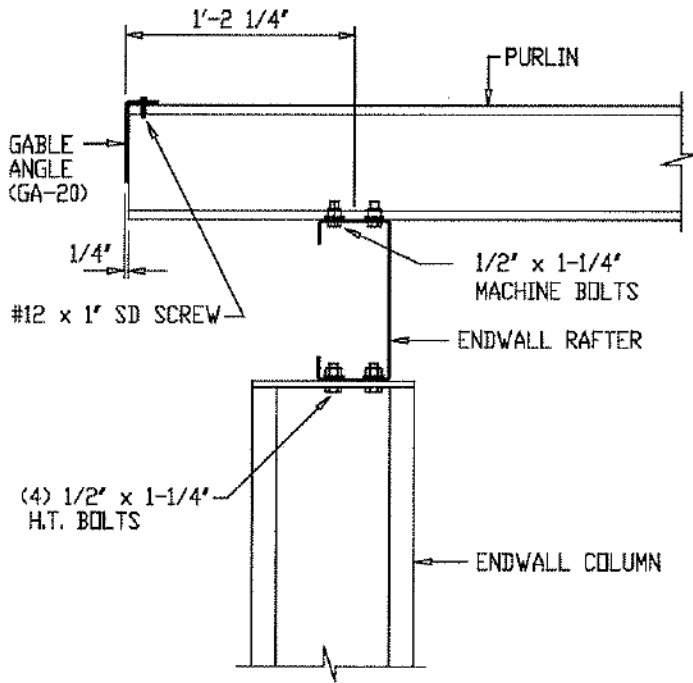
STANDARD DETAILS

THIS IS A DESCRIPTION OF THE SYMBOL AND HOW TO LOCATE THE PROPER DETAIL IN THE STANDARD DETAIL PACK. STANDARD DETAIL SYMBOLS ARE SHOWN ON LUDWIG FRAMING PLANS



INDEX

<u>SECTION</u>	<u>DESCRIPTION</u>
1	END FRAME DETAILS
2	BRACING SYSTEM DETAILS
3	PURLIN AND GIRT CONNECTIONS
4	FRAMED OPENINGS
5	MISC. STEEL DETAILS
6	MANSARD AND FASCIA DETAILS
7	ROOF EXTENSION AND CANOPY DETAILS
8	ROOF AND WALL SHEETING DETAILS
9	TRIM DETAILS
10	ACCESSORIES

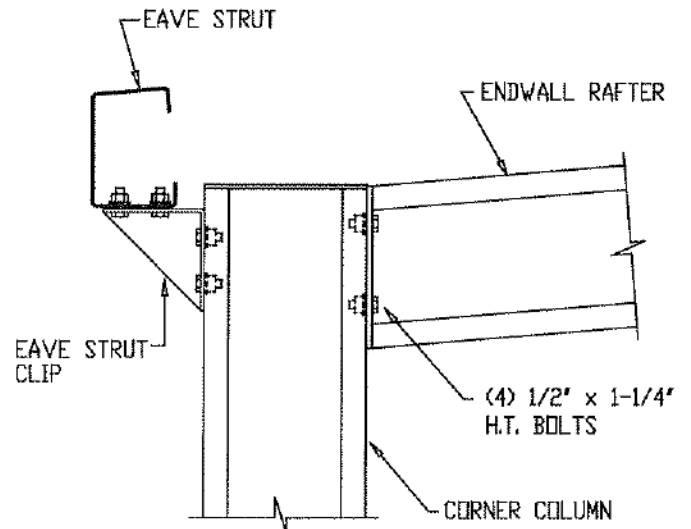
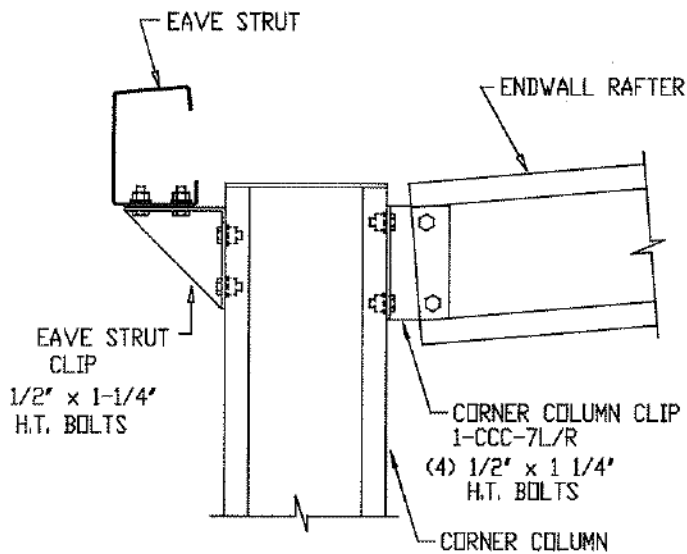


PURLIN TO RAFTER (BY-PASS GIRTS)

S-1-1A

PURLIN TO RAFTER (FLUSH GIRTS)

S-1-1B

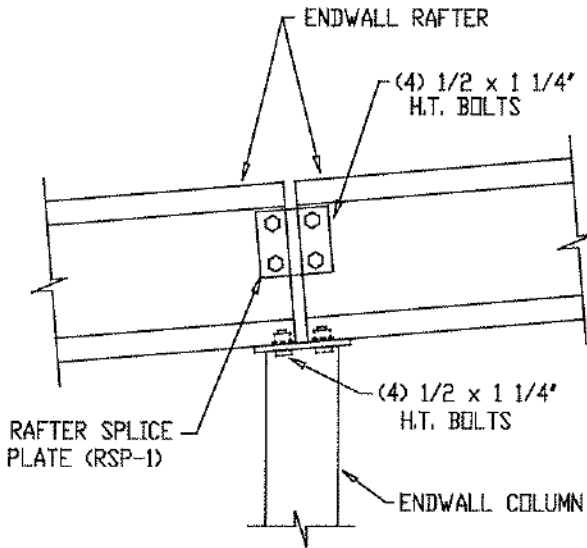


CORNER COLUMN TO RAFTER

S-1-1C

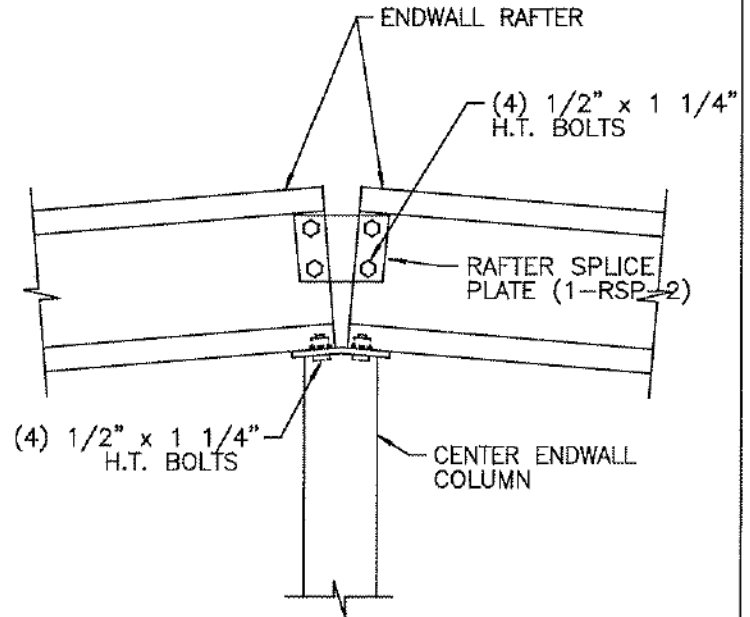
CORNER COLUMN TO RAFTER

S-1-1D



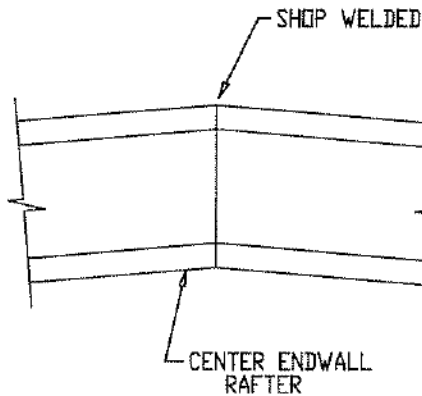
RAFTER TO ENDWALL COL.

S-1-2A



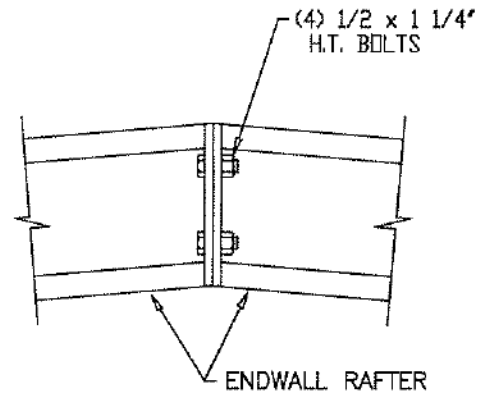
RAFTER TO CENTER ENDWALL COL.

S-1-2B



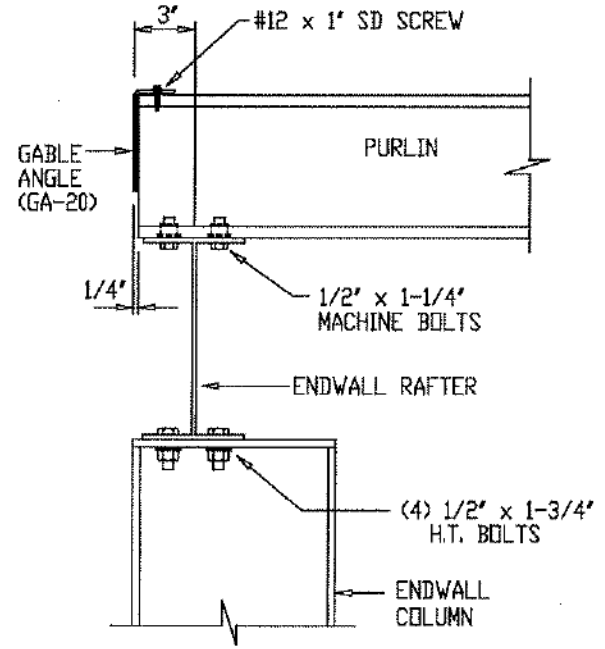
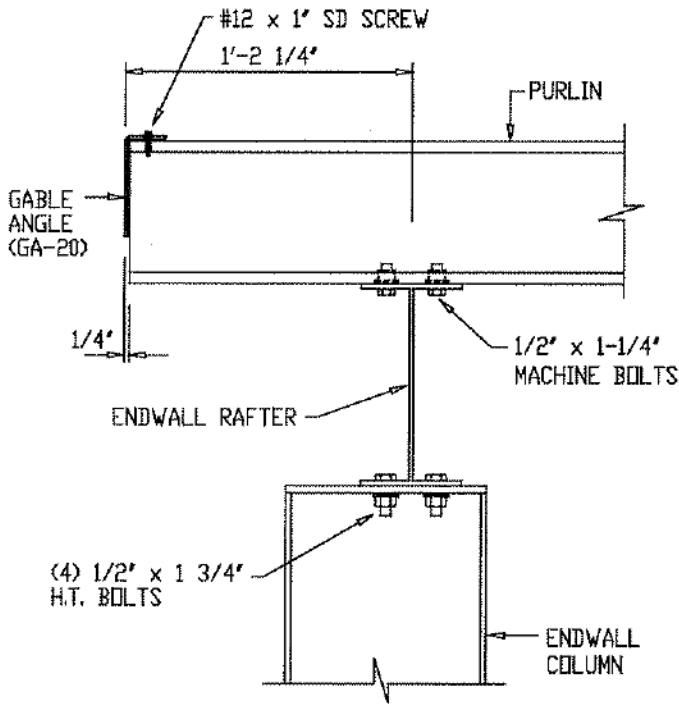
WELDED PEAK RAFTER

S-1-2C



BOLTED PEAK RAFTER

S-1-2D

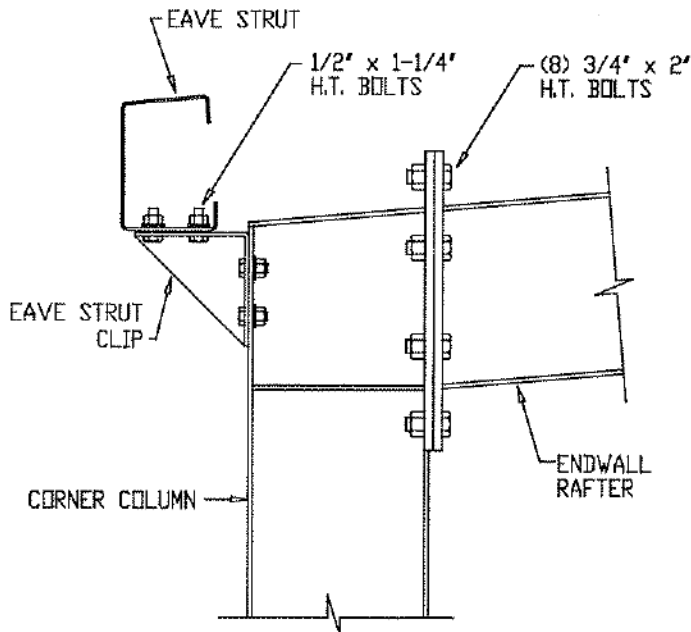


PURLIN TO RAFTER (BY-PASS GIRTS)

S-1-3A

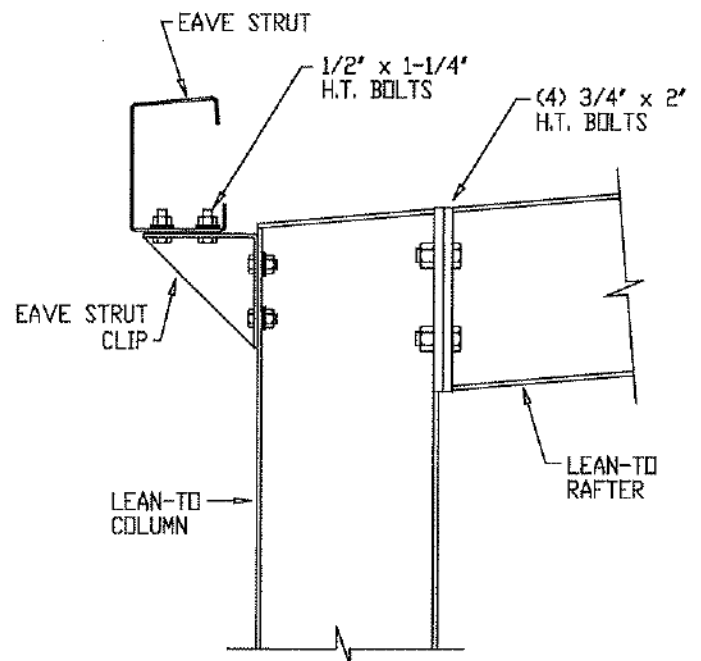
PURLIN TO RAFTER (FLUSH GIRTS)

S-1-3B



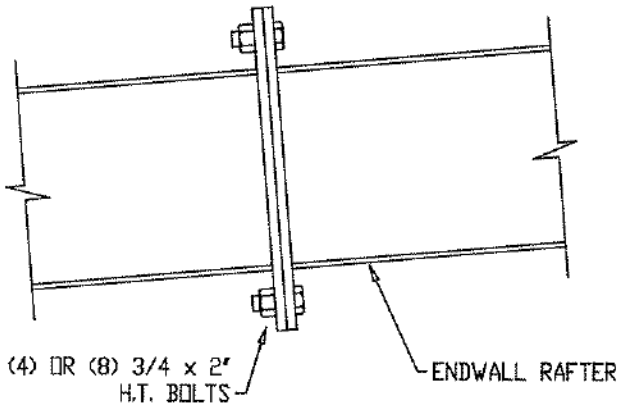
CORNER COLUMN TO RAFTER

S-1-3C



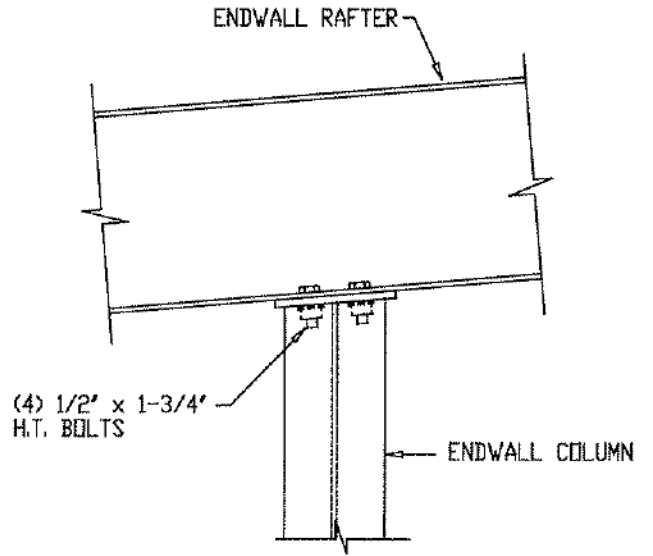
LEAN-TO COLUMN TO RAFTER

S-1-3D



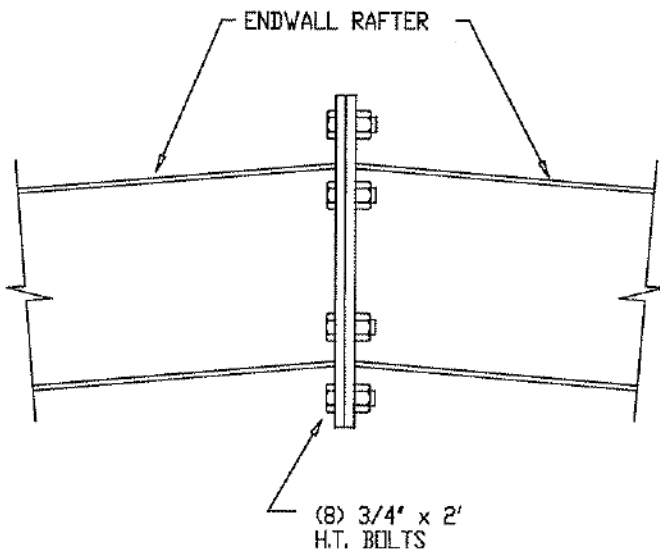
RAFTER SPLICE

S-1-4A



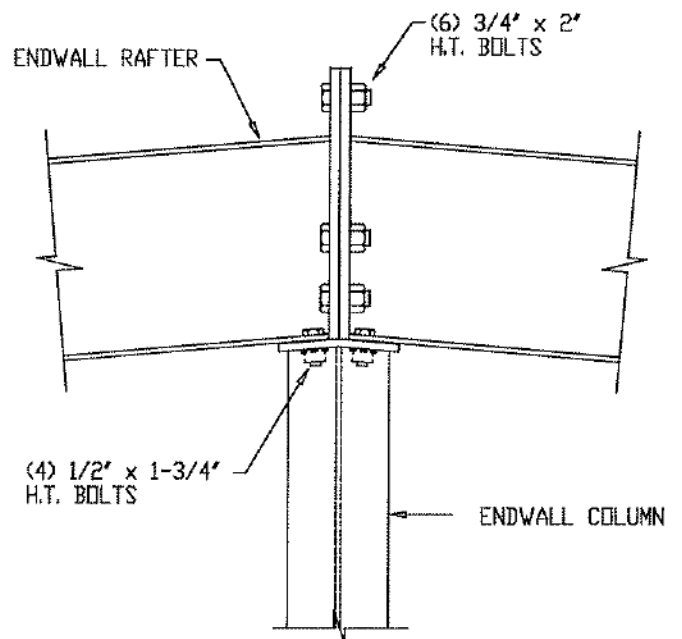
RAFTER TO ENDWALL COLUMN

S-1-4B



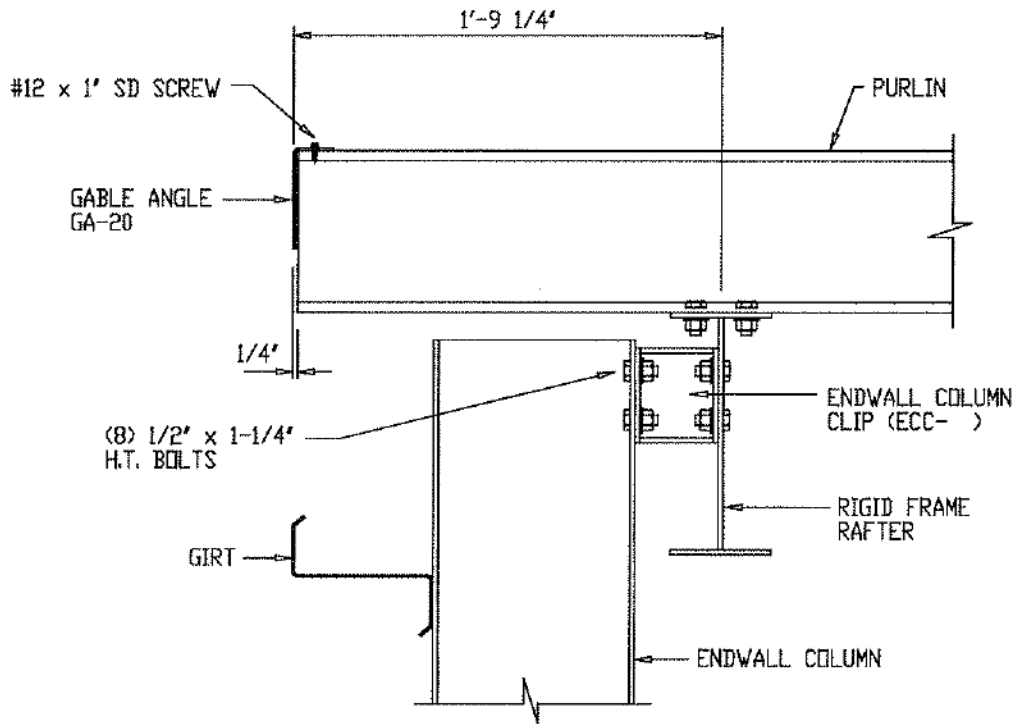
RAFTER PEAK CONNECTION

S-1-4C



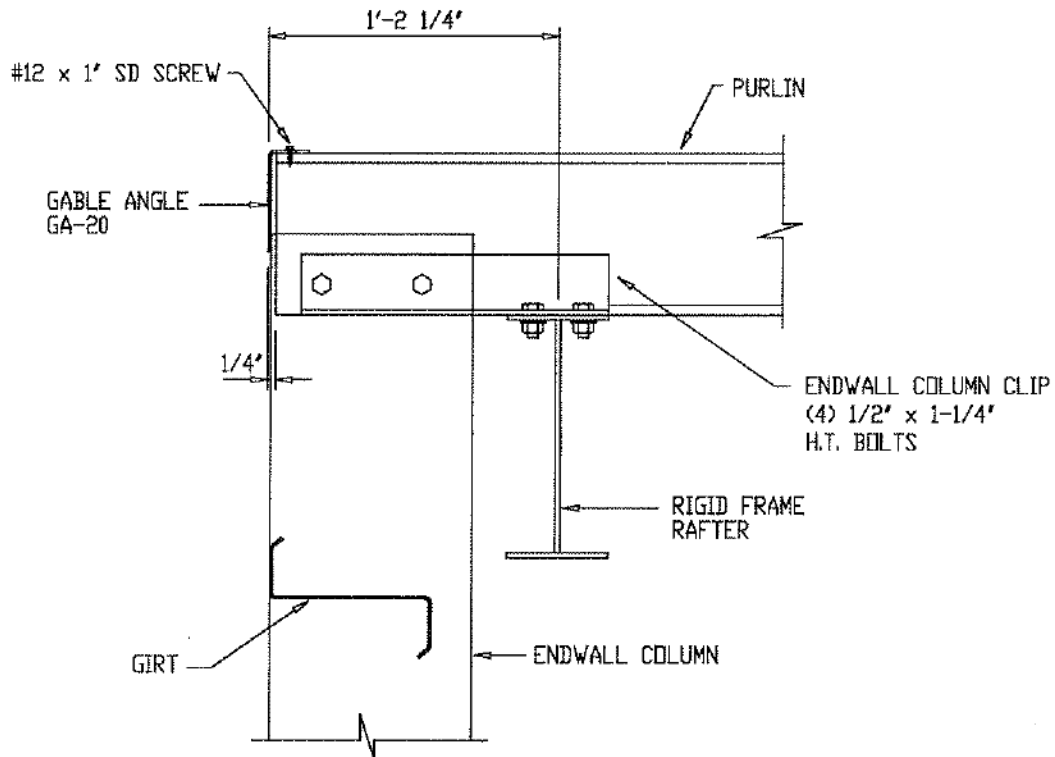
RAFTER TO CENTER EW COLUMN

S-1-4D



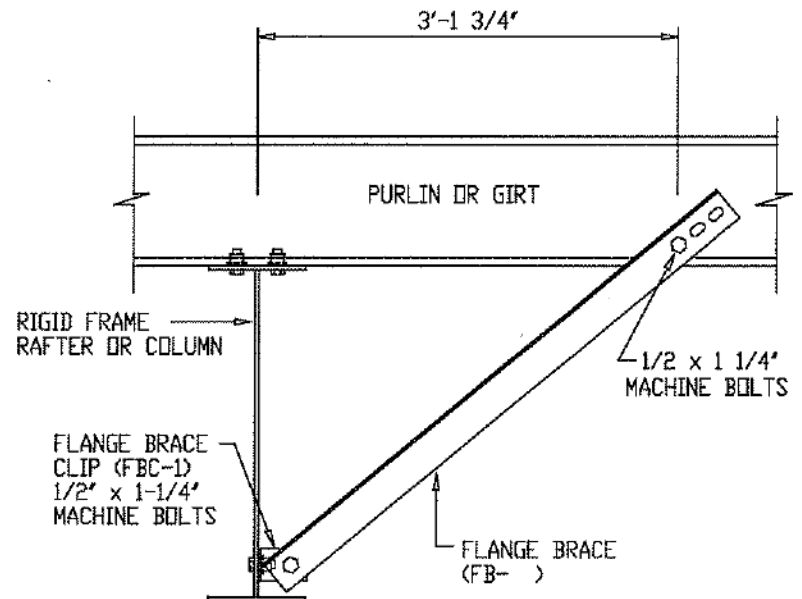
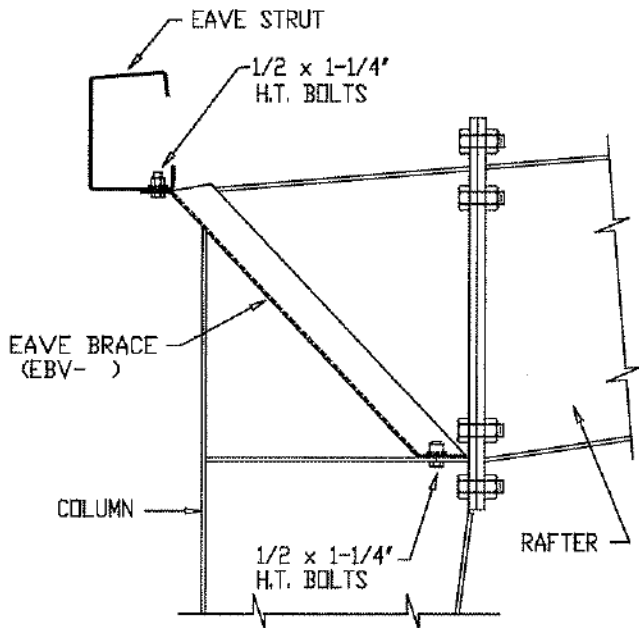
ENDWALL COLUMN TO RAFTER (BY-PASS GIRTS)

S-1-5A



ENDWALL COLUMN TO RAFTER (FLUSH GIRTS)

S-1-5B

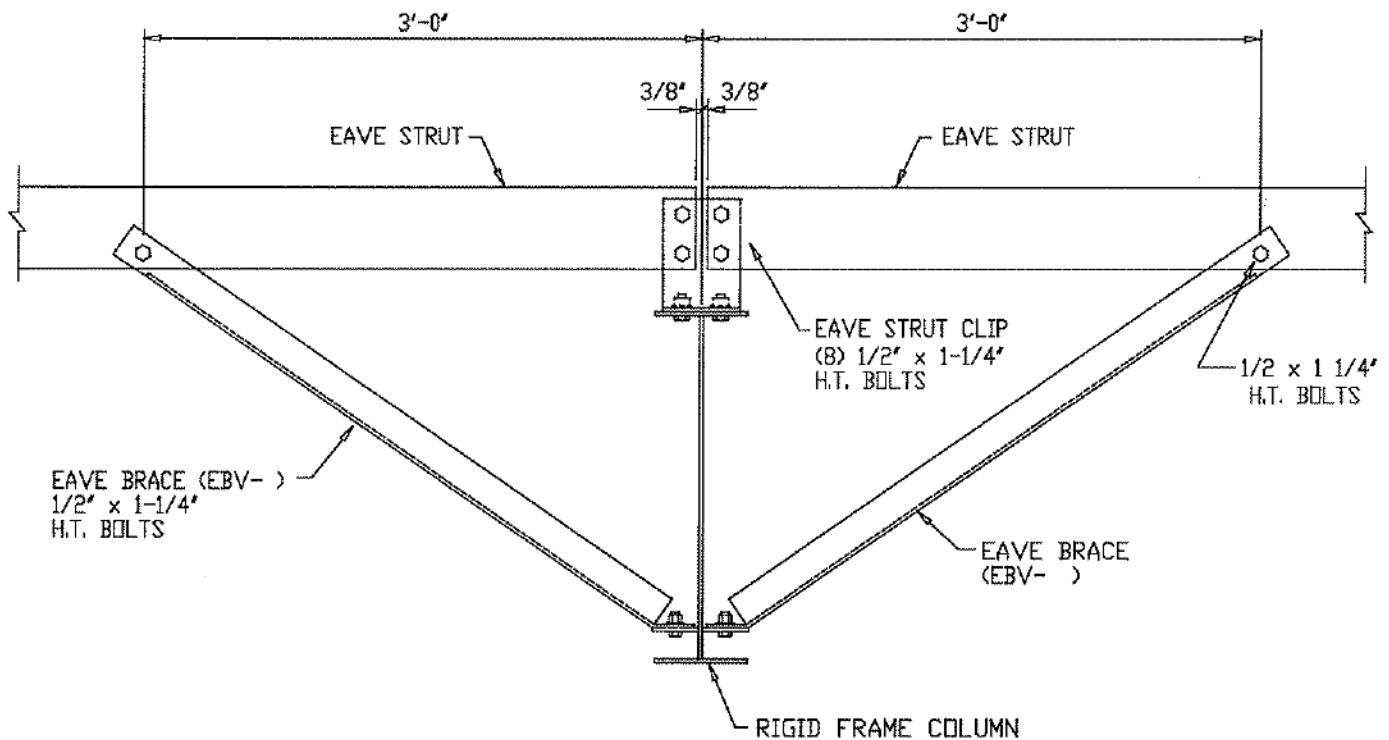


EAVE BRACE AT HAUNCH

S-2-1A

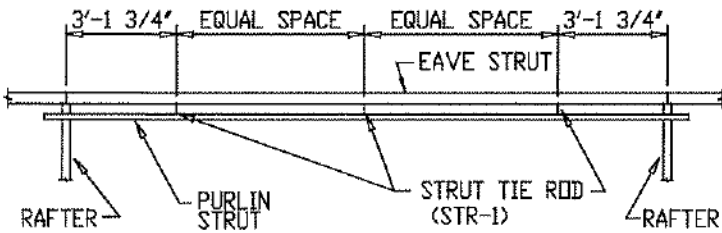
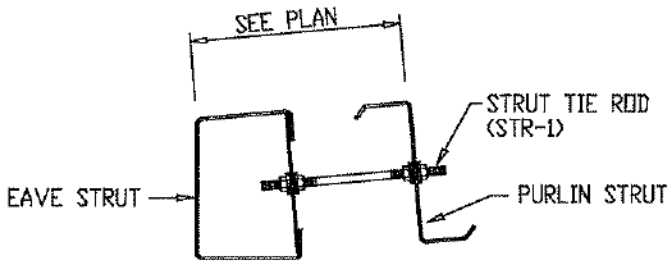
FLANGE BRACE CONNECTION

S-2-1B



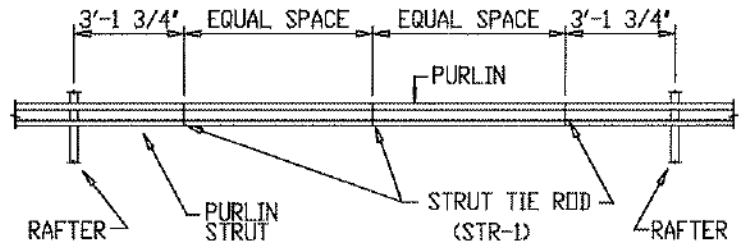
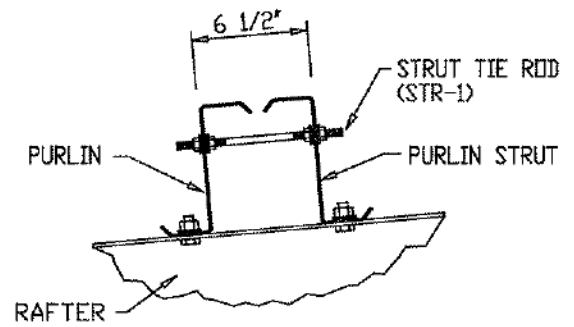
PLAN VIEW EAVE BRACE AT HAUNCH

S-2-1C



PLAN VIEW

NOTE: DO NOT ATTACH STANDING SEAM ROOF PANEL CLIP TO PURLIN STRUT



PLAN VIEW

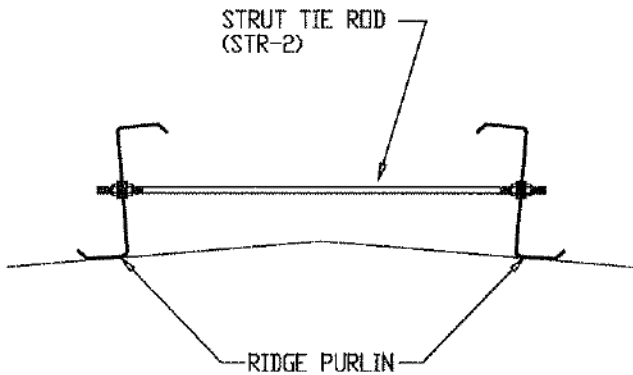
NOTE: DO NOT ATTACH STANDING SEAM ROOF PANEL

PURLIN STRUT AT EAVE

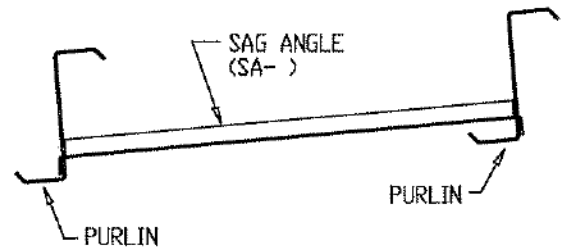
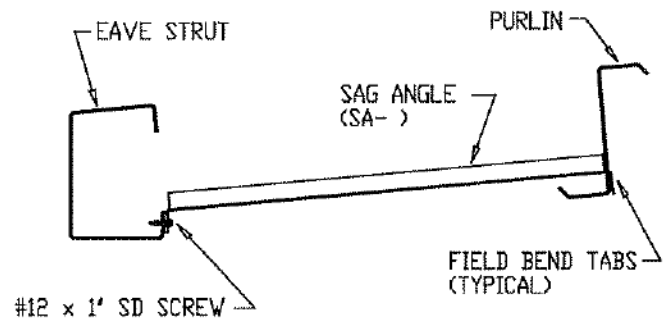
S-2-2A

PURLIN STRUT AT INTERMEDIATE

S-2-2B



NOTE:
NO TIE ROD REQUIRED
IF LESS THAN 10'-0"



STRUT TIE ROD AT PEAK

S-2-2C

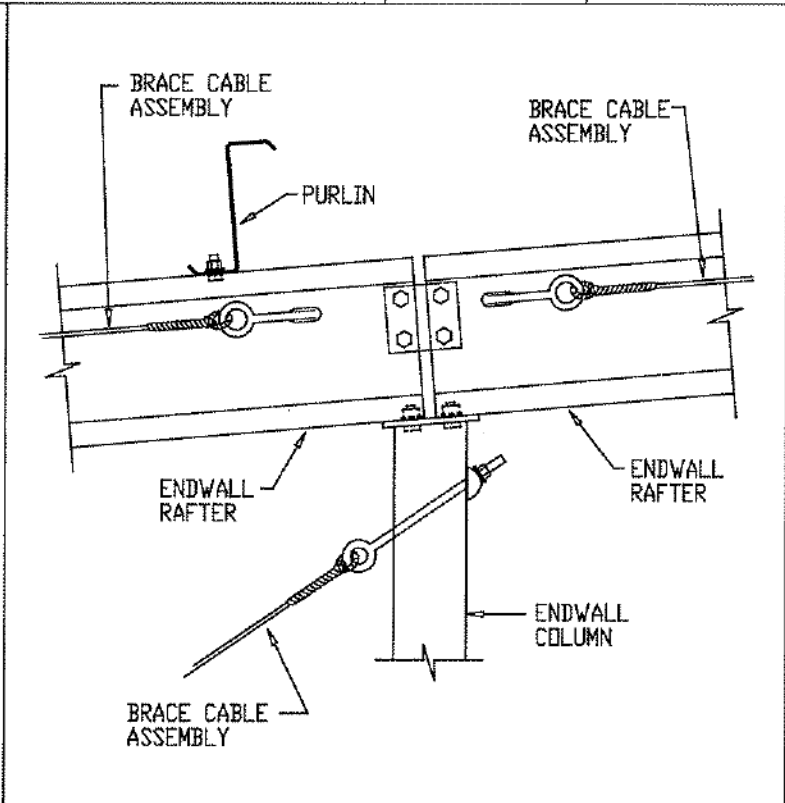
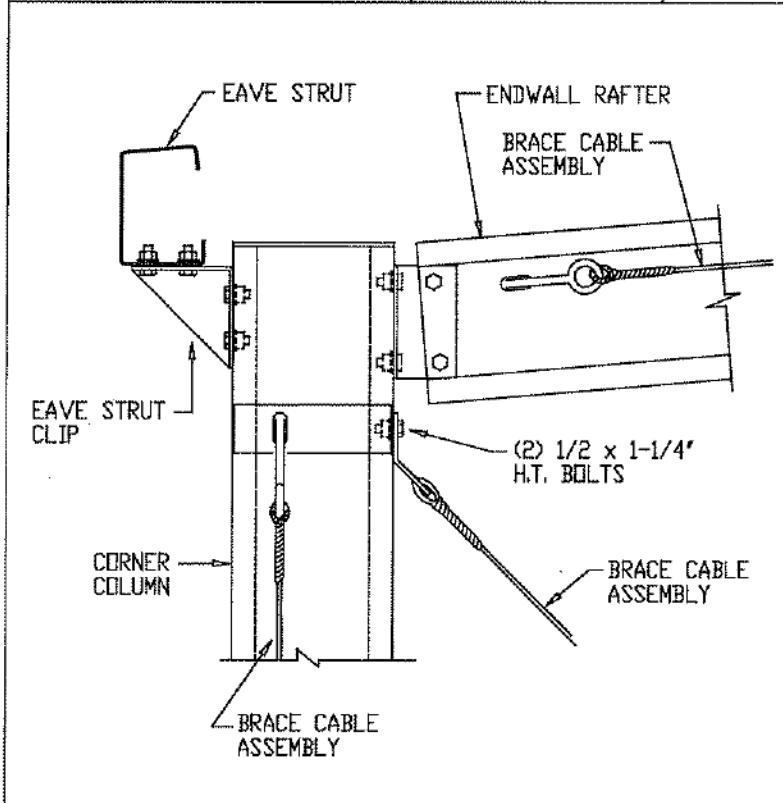
SAG ANGLES

S-2-2D



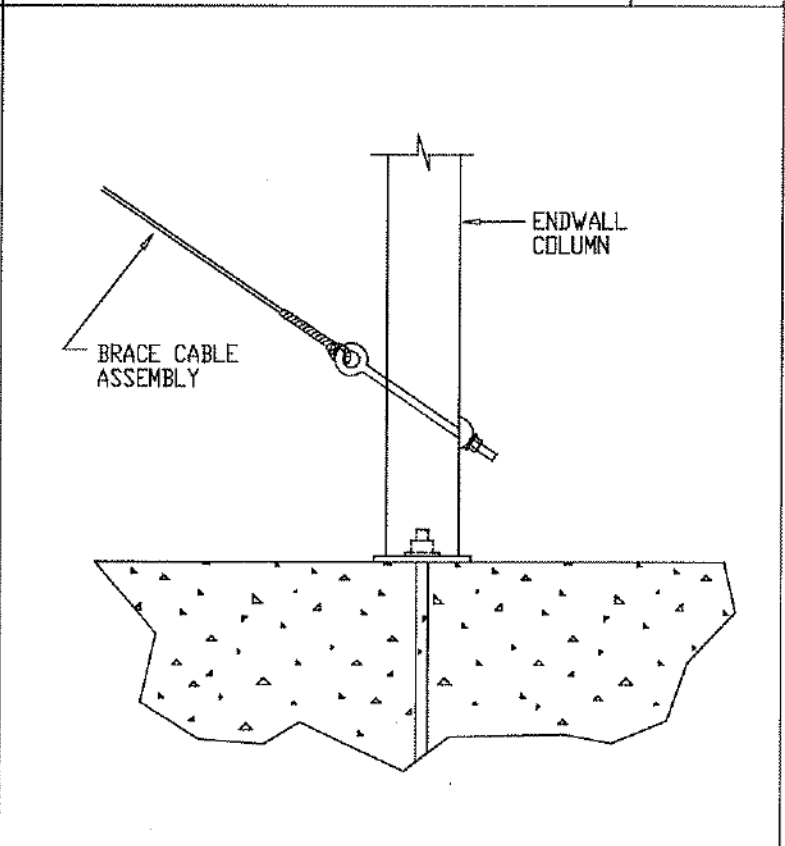
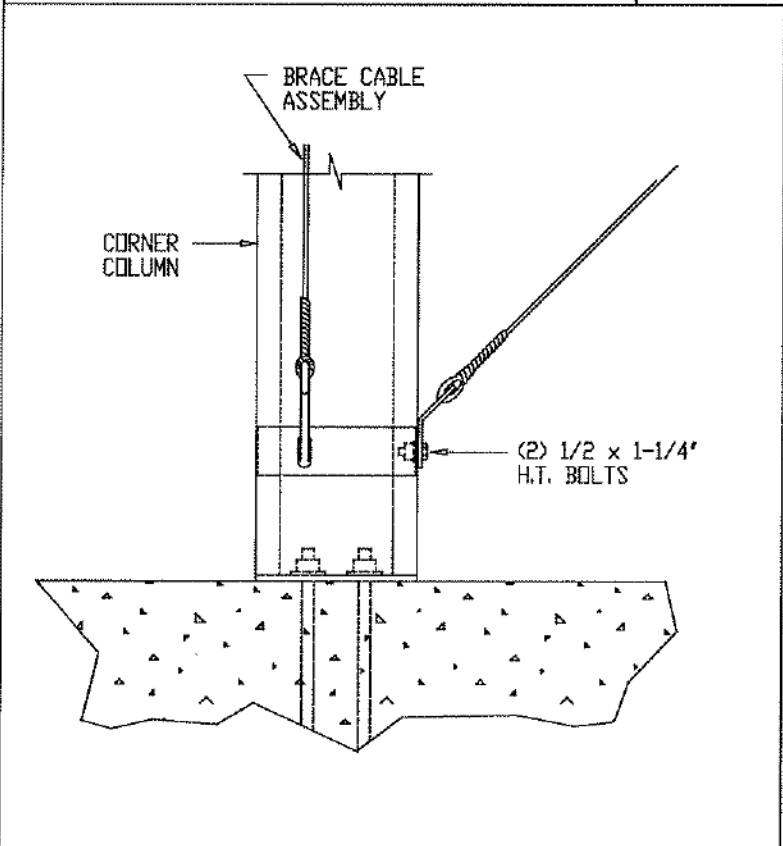
BRACING SYSTEM DETAILS
 (BRACE CABLES AT
 COLD FORMED END FRAME)

PAGE NO.	S-2-3
----------	-------



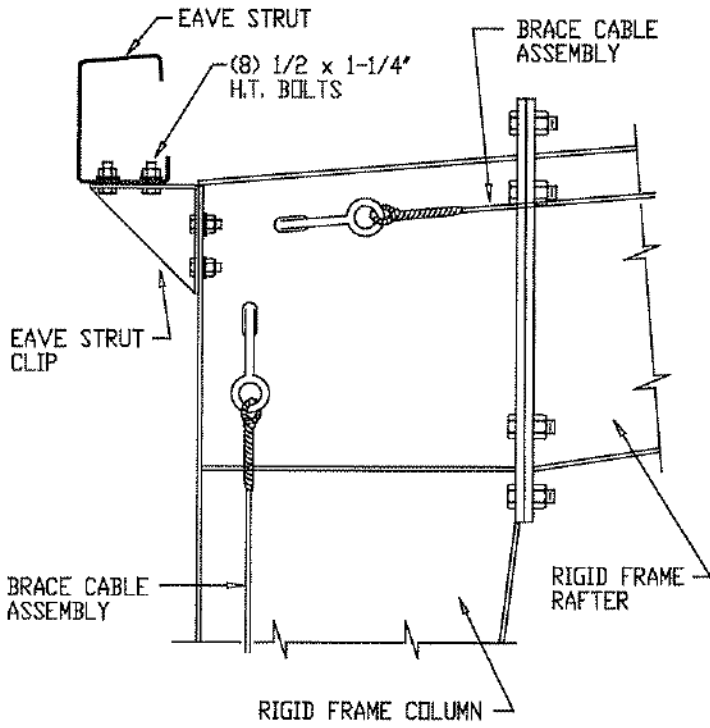
CORNER COLUMN AT RAFTER S-2-3A

ENDWALL COLUMN AT RAFTER S-2-3B



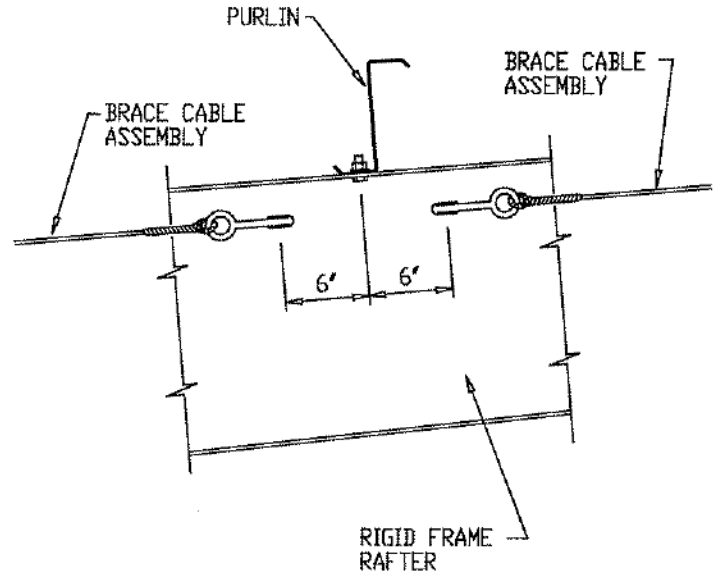
CORNER COLUMN AT BASE S-2-3C

ENDWALL COLUMN AT BASE S-2-3D



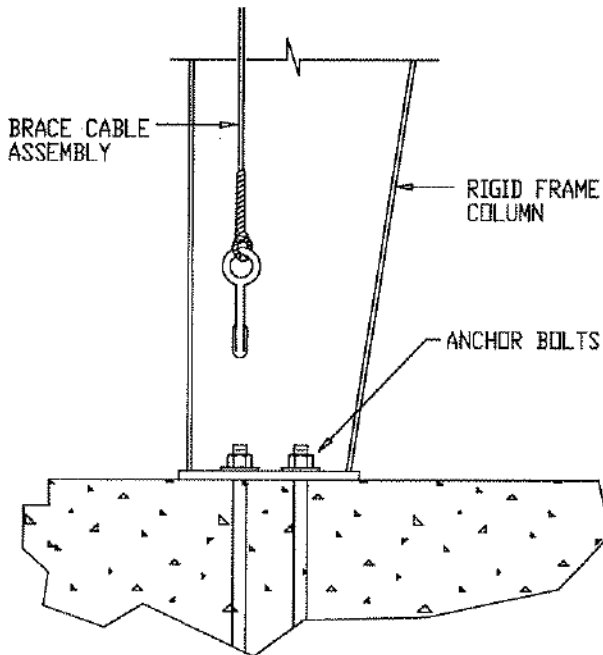
HAUNCH

S-2-4A



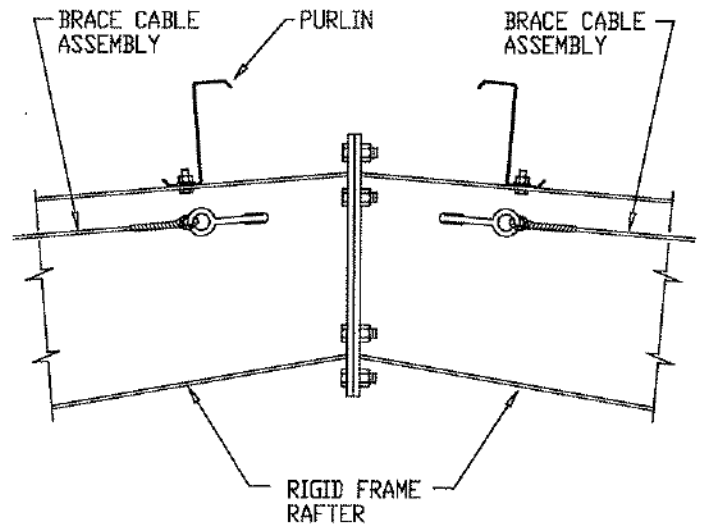
INTERMEDIATE

S-2-4B



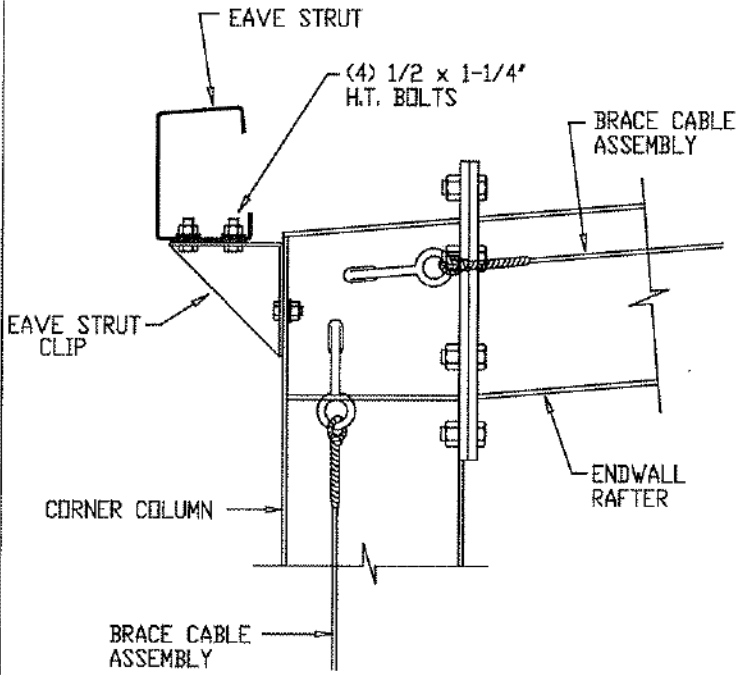
COLUMN BASE

S-2-4C



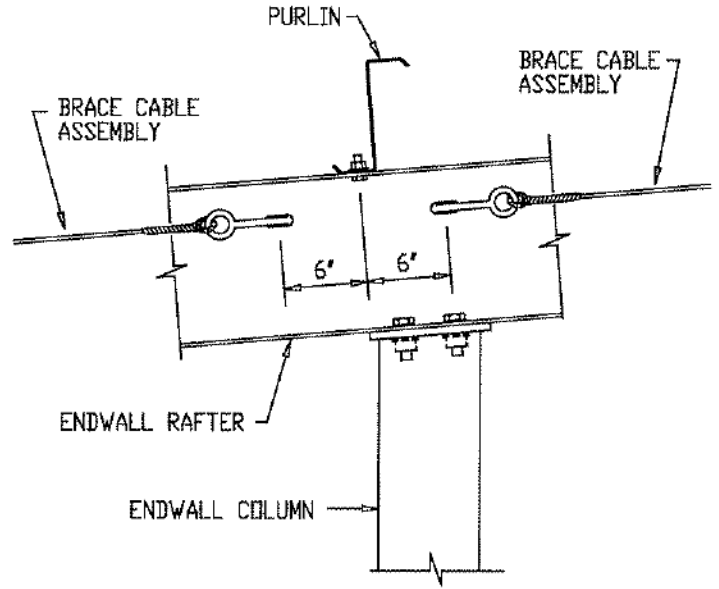
PEAK

S-2-4D



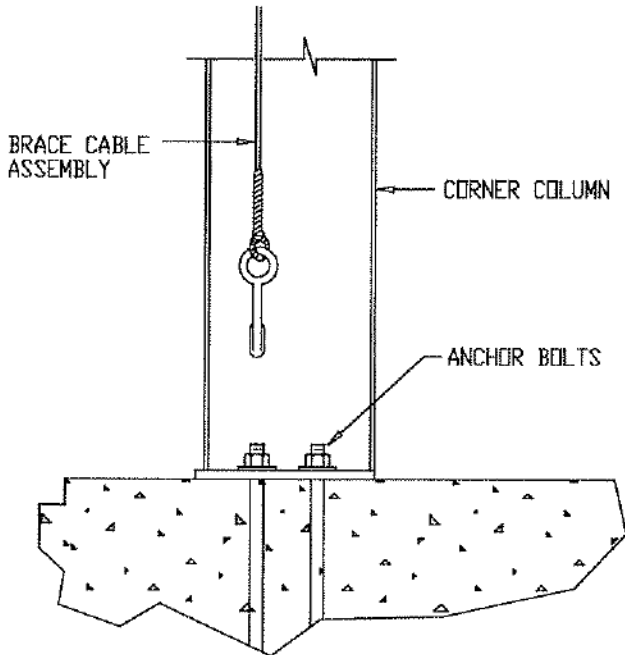
CORNER COLUMN AT RAFTER

S-2-5A



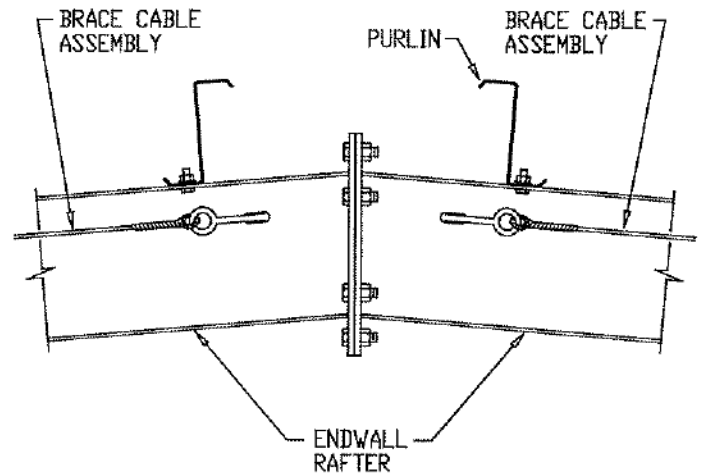
RAFTER AT ENDWALL COLUMN

S-2-5B



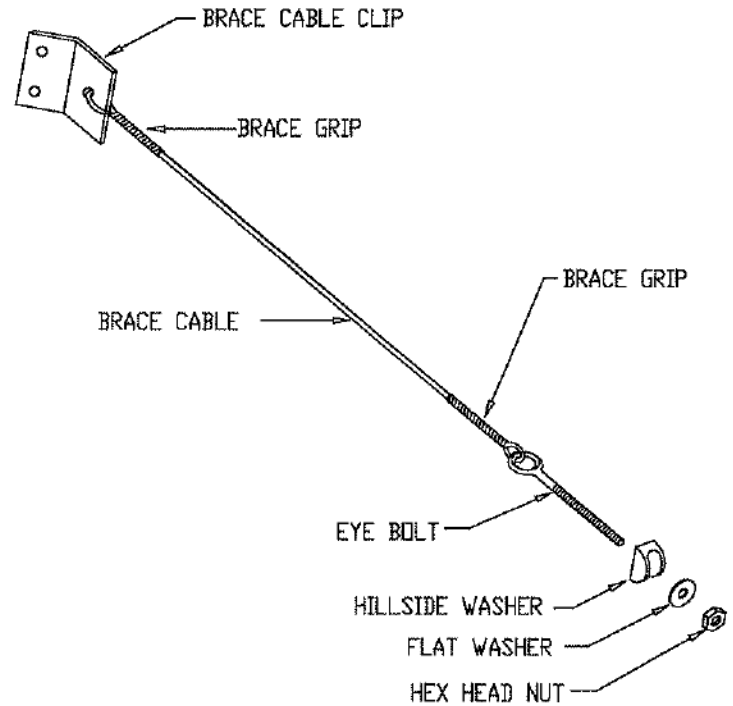
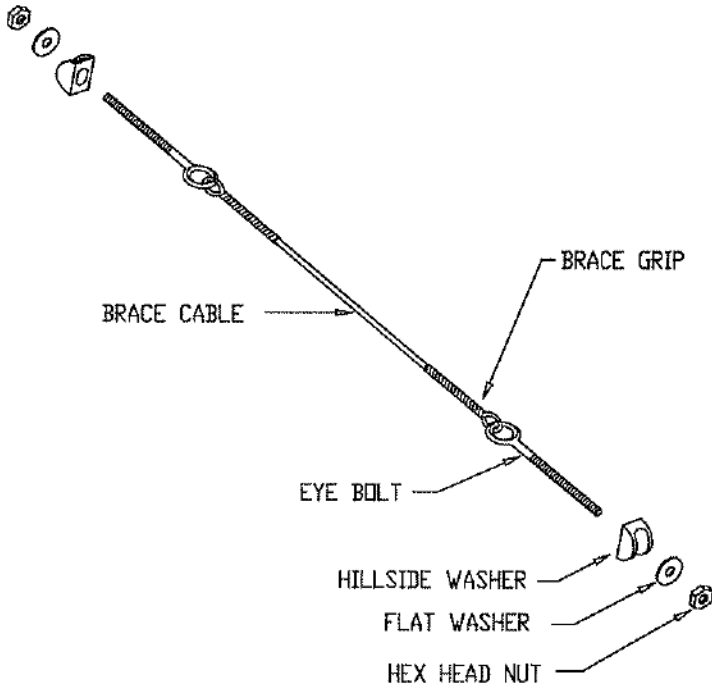
CORNER COLUMN BASE

S-2-5C



PEAK

S-2-5D

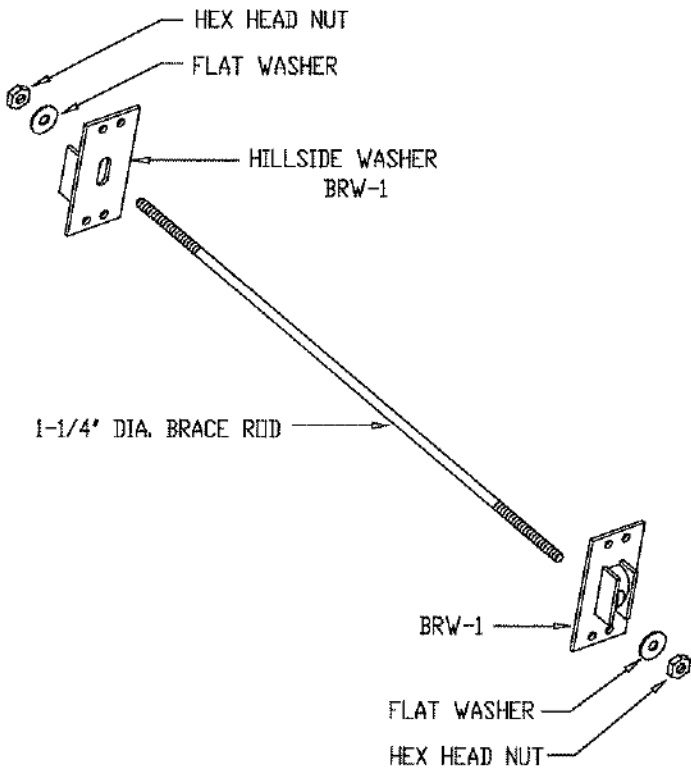


BRACE CABLE ASSEMBLY

S-2-6A

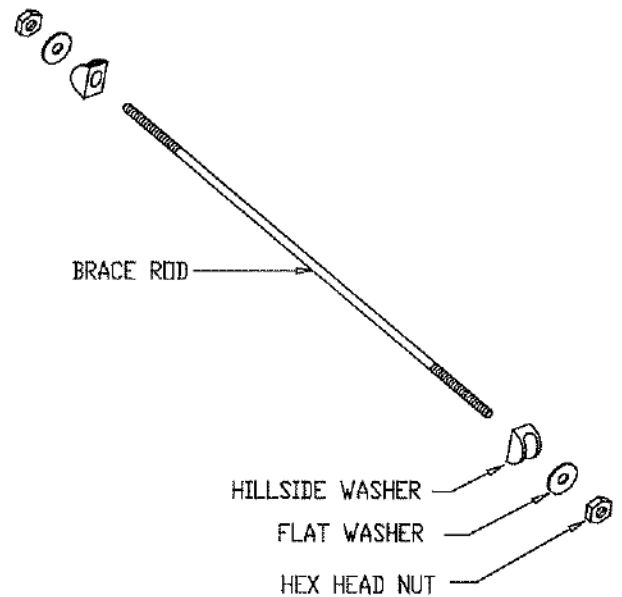
BRACE CABLE ASSEMBLY

S-2-6B



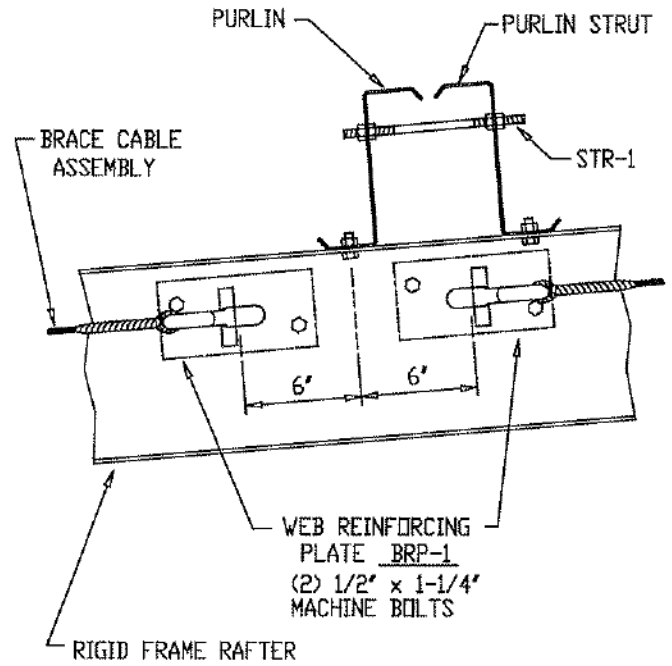
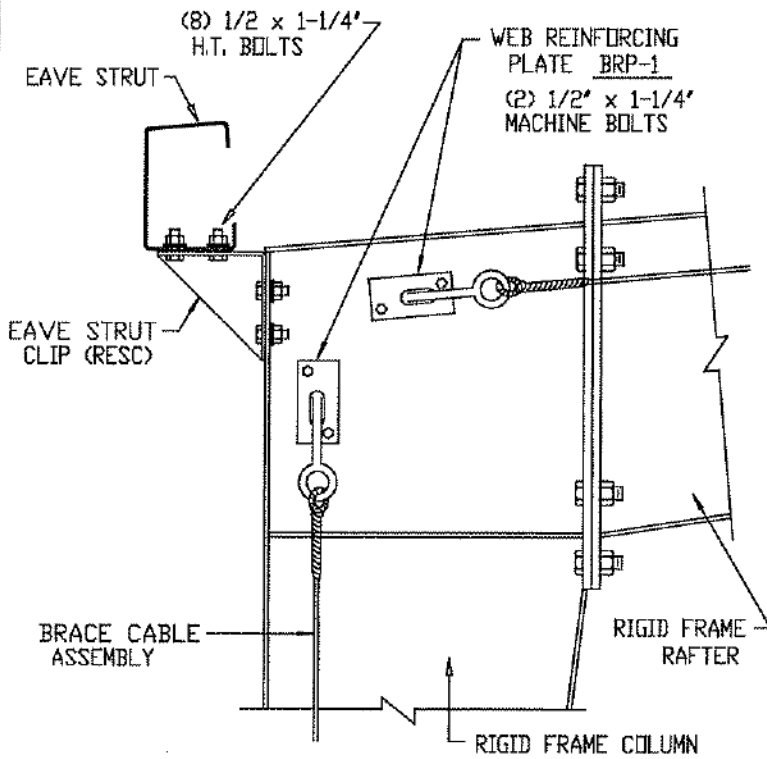
1-1/4" BRACE ROD ASSEMBLY

S-2-6C



BRACE ROD ASSEMBLY

S-2-6D

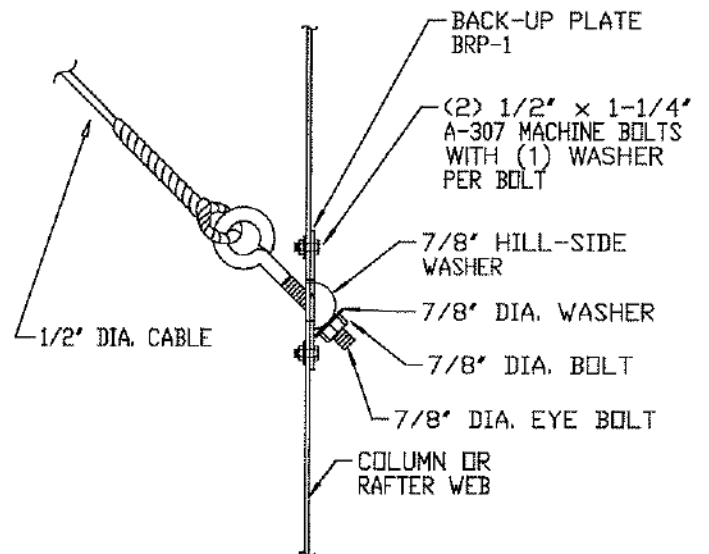
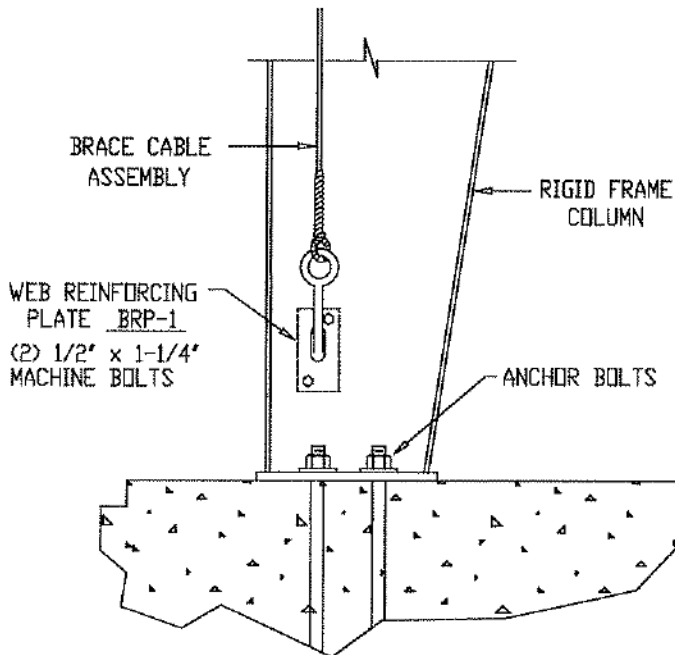


AT HAUNCH

S-2-7A

INTERMEDIATE

S-2-7B

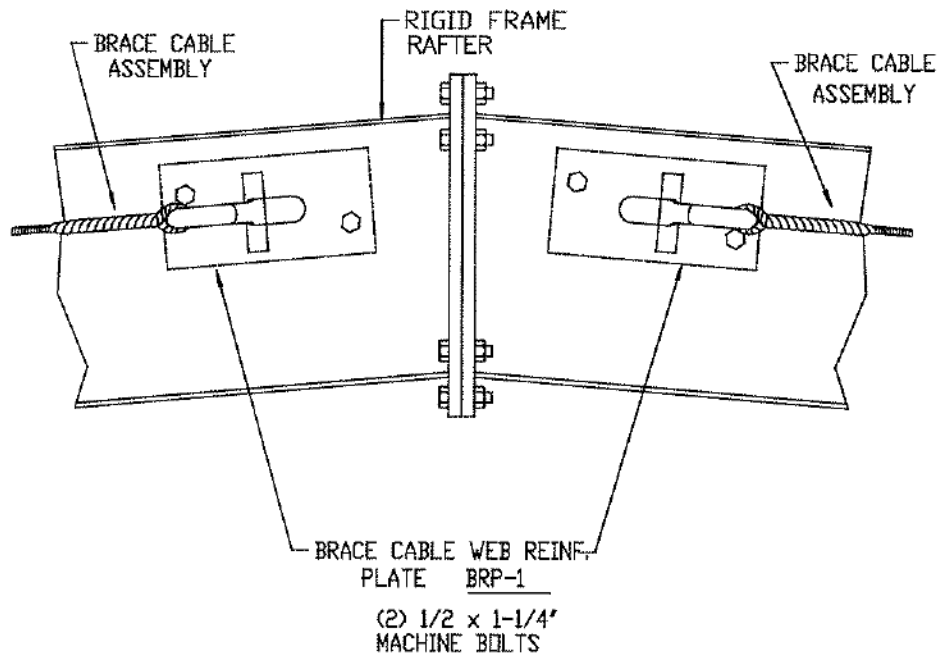


COLUMN BASE

S-2-7C

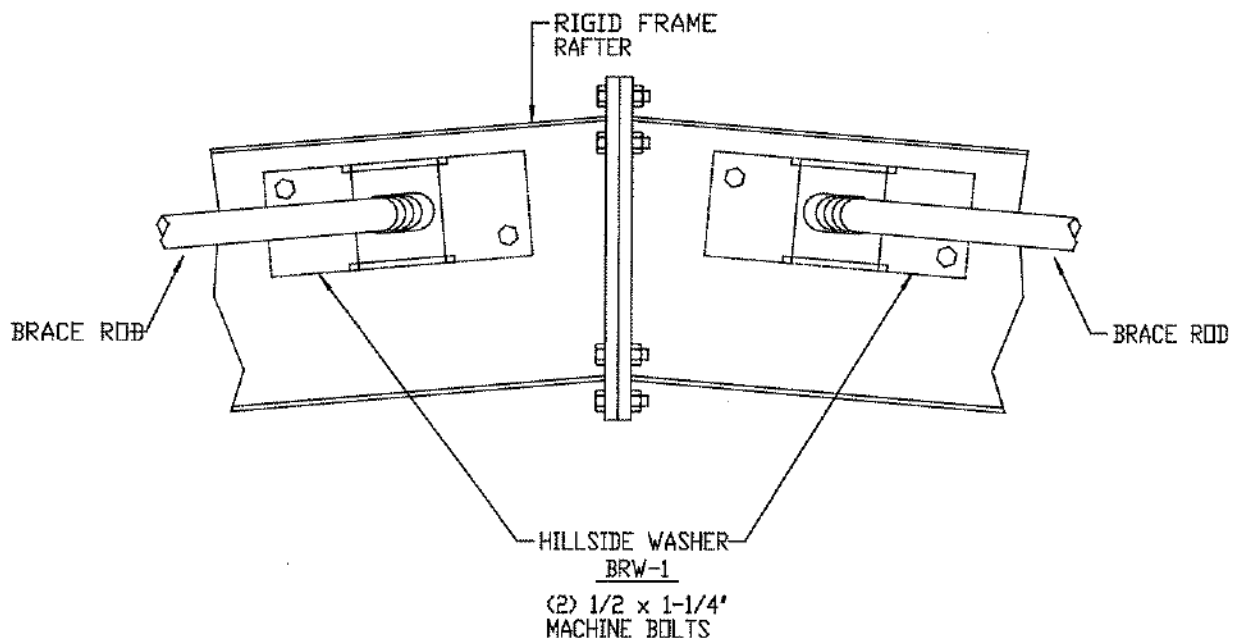
BRACE CABLE DETAIL

S-2-7D



BRACE CABLE REINF. PLATE AT PEAK

S-2-8A



BRACE ROD WASHER AT PEAK

S-2-8B

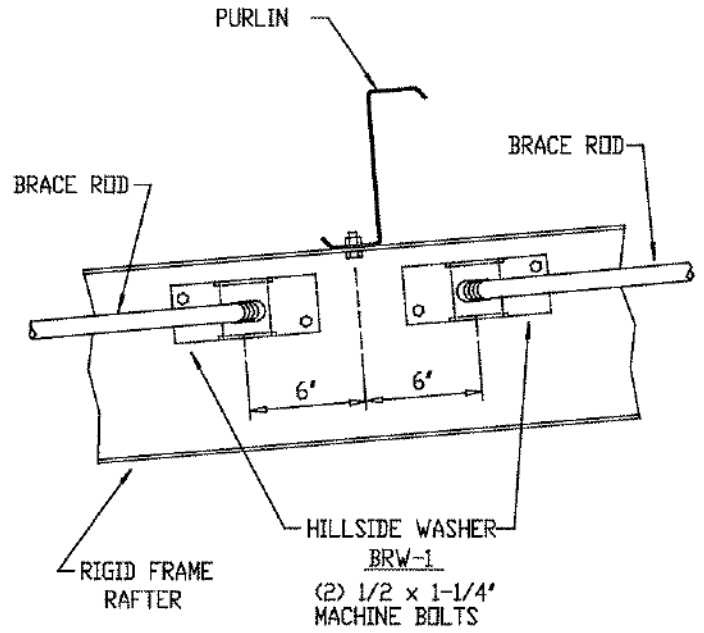
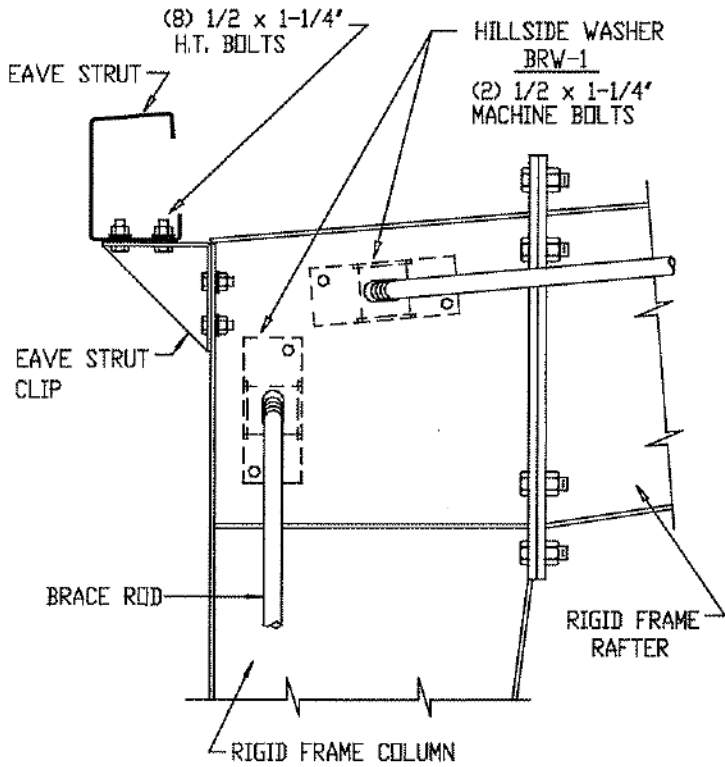


BRACING SYSTEM DETAILS

(1-1/4' BRACE RODS)

PAGE NO. 1

S-2-9

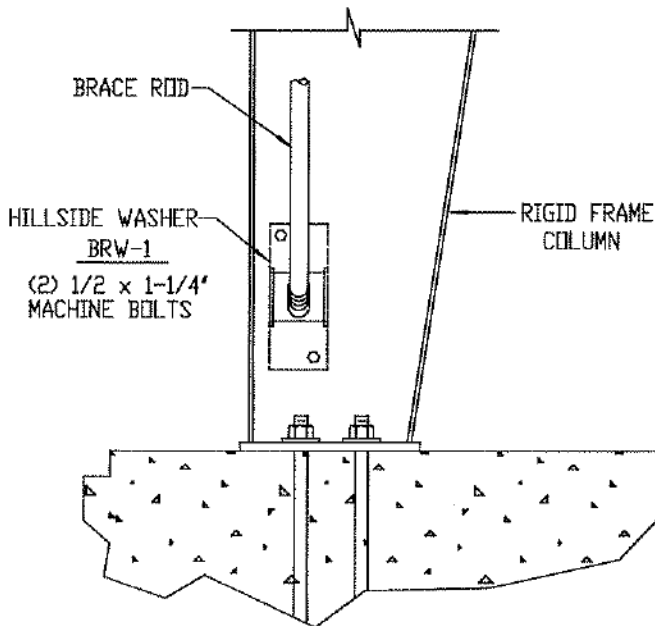


COLUMN AT HAUNCH

S-2-9A

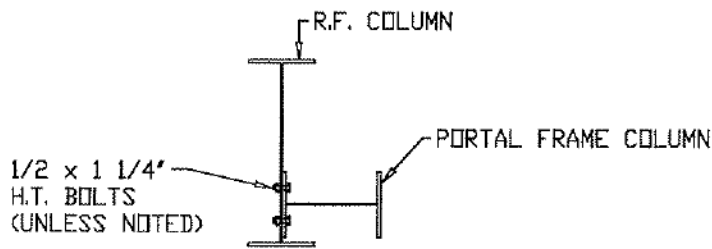
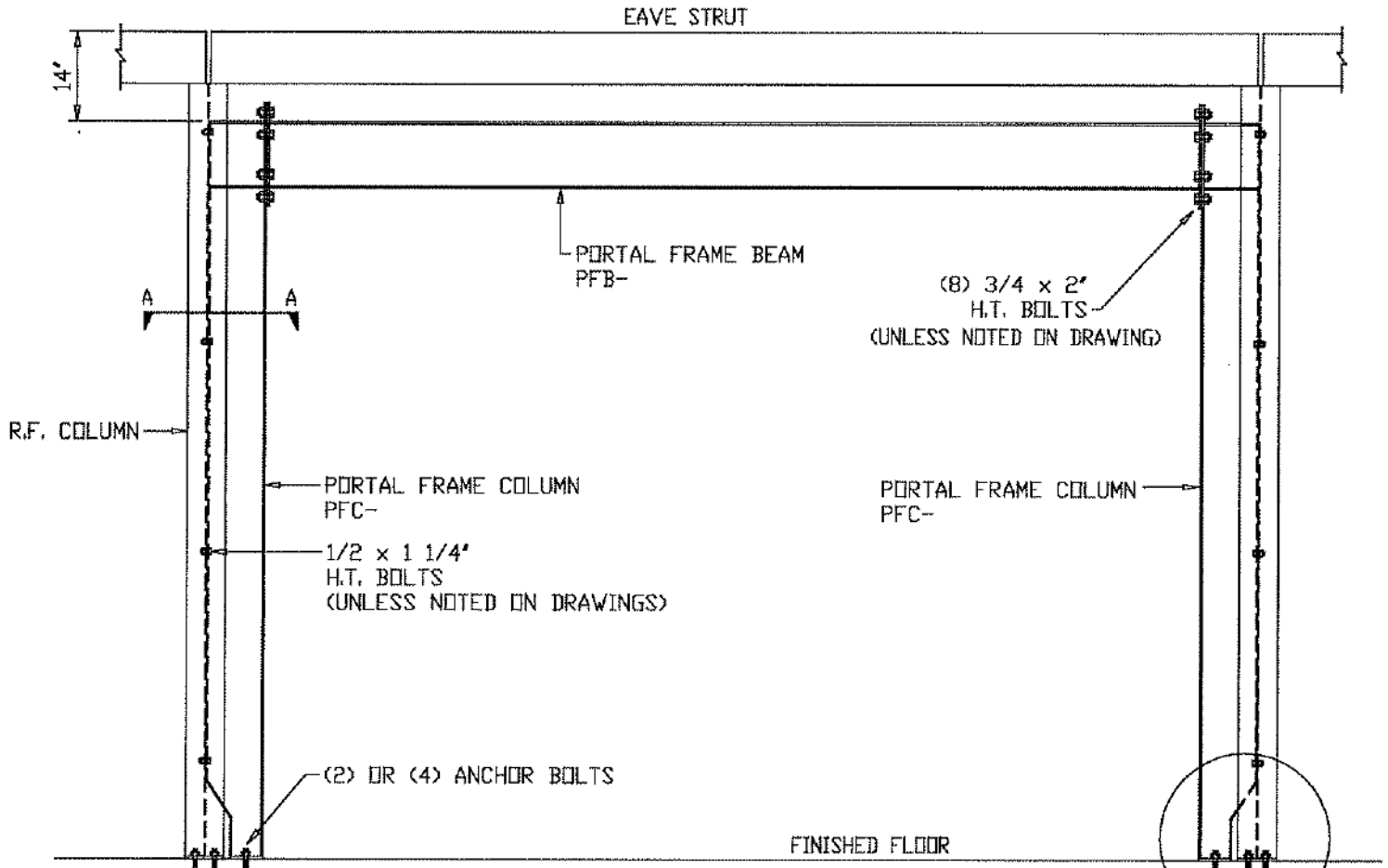
INTERMEDIATE

S-2-9B

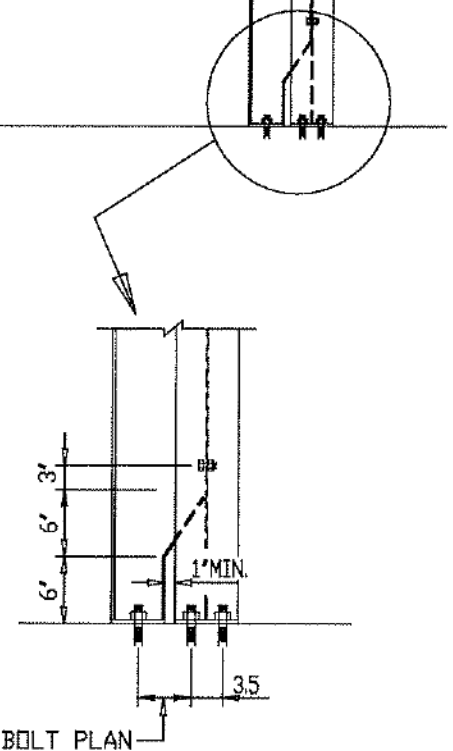


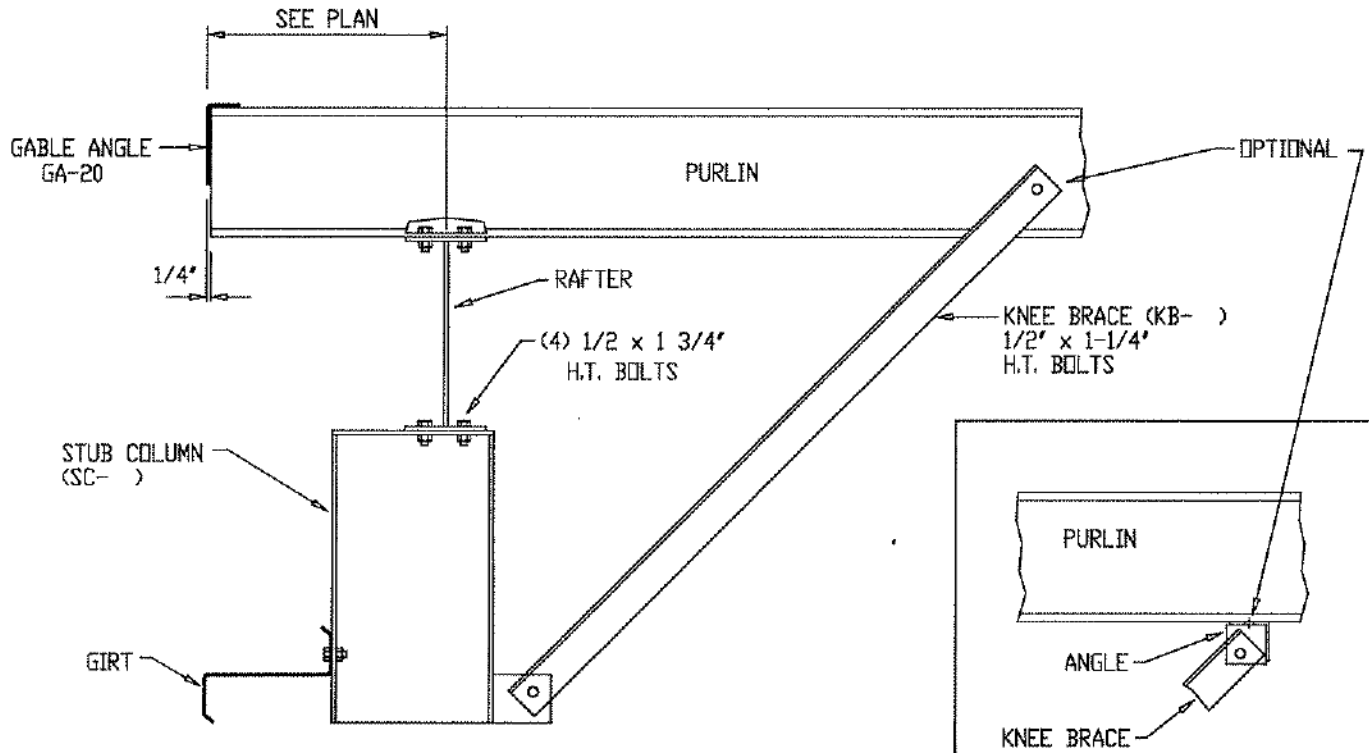
COLUMN AT BASE

S-2-9C



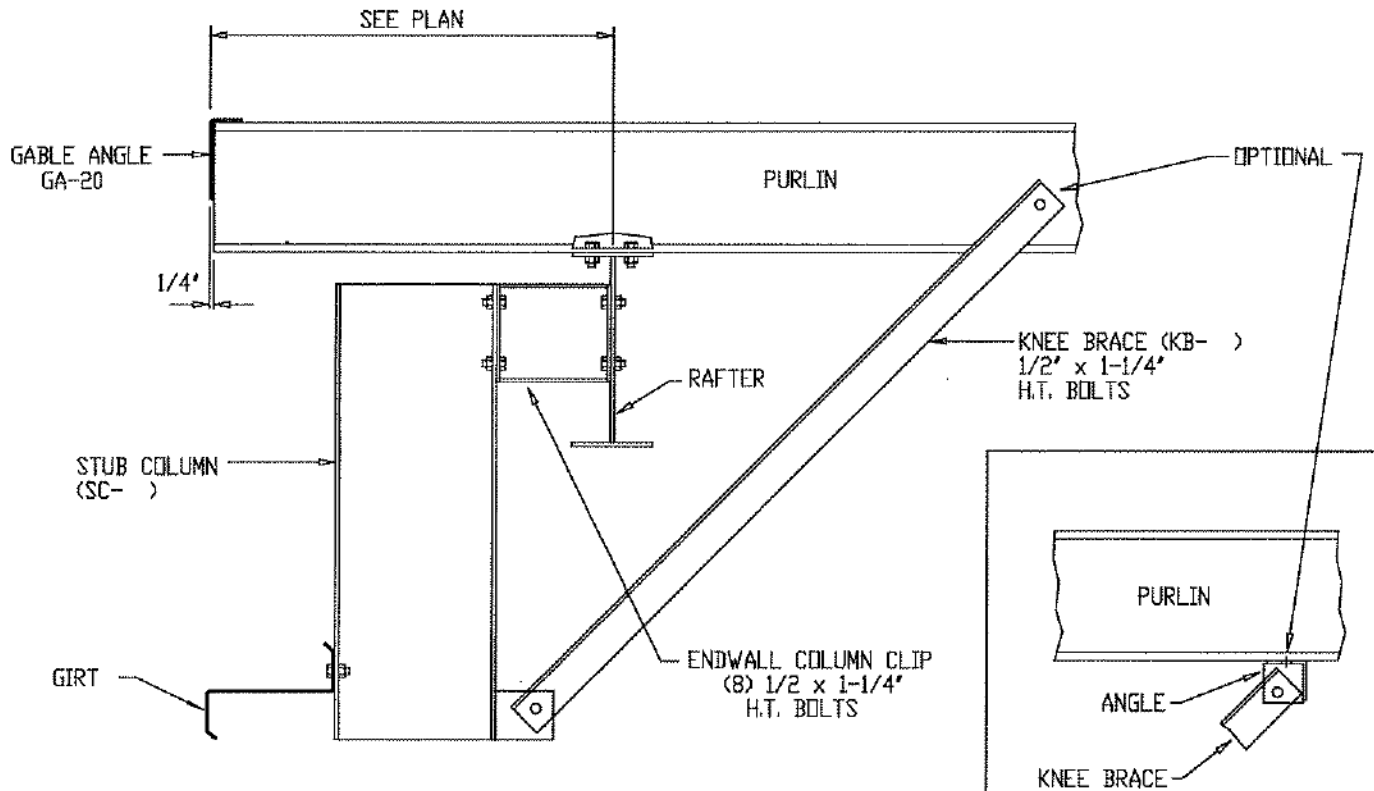
SECTION "A - A"





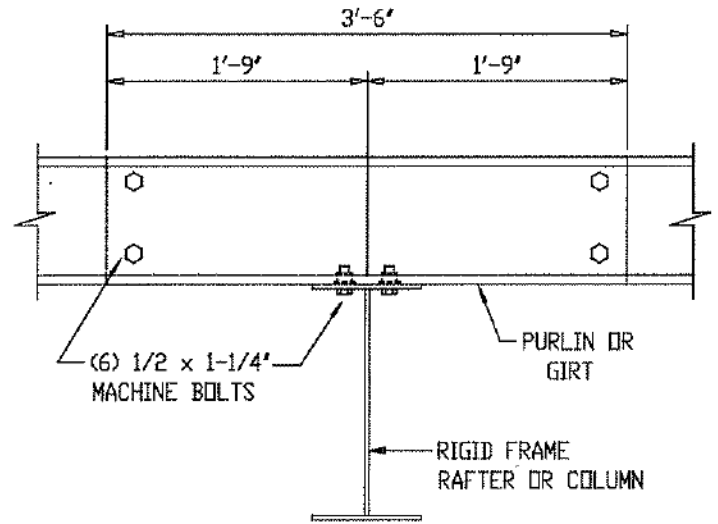
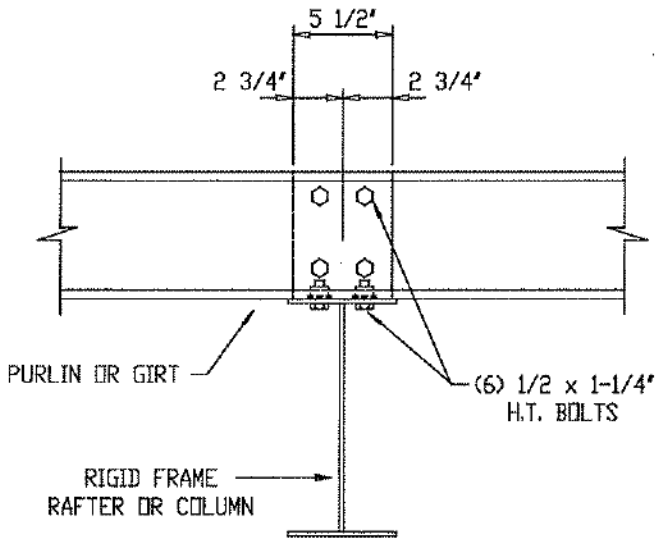
TYPICAL STUB COLUMN

S-2-11A



STUB COLUMN WITH ENDWALL COLUMN CLIP

S-2-11B

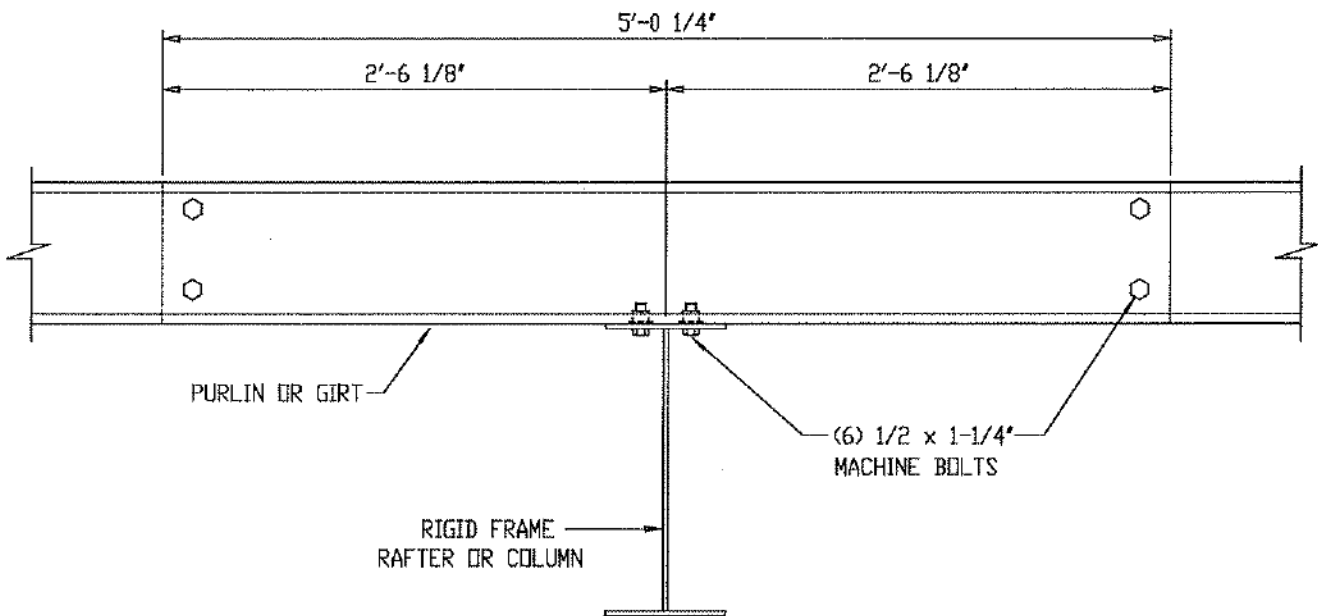


SHORT LAP

S-3-1A

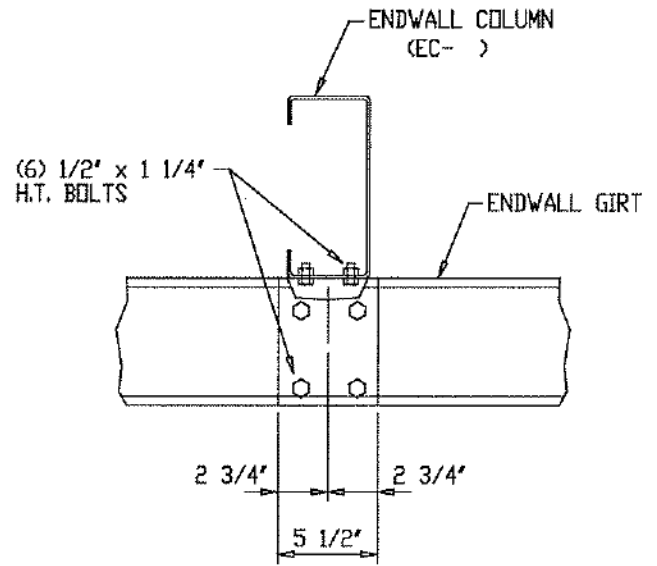
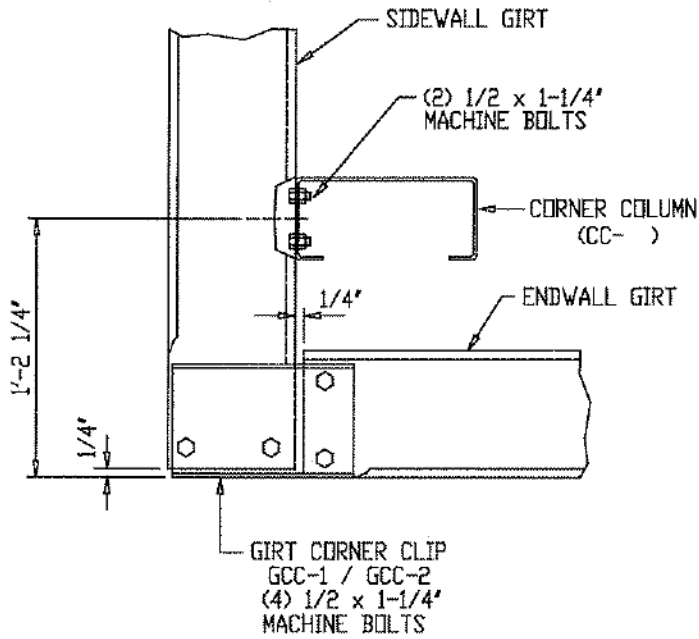
LONG LAP

S-3-1B



EXTRA LONG LAP

S-3-1C

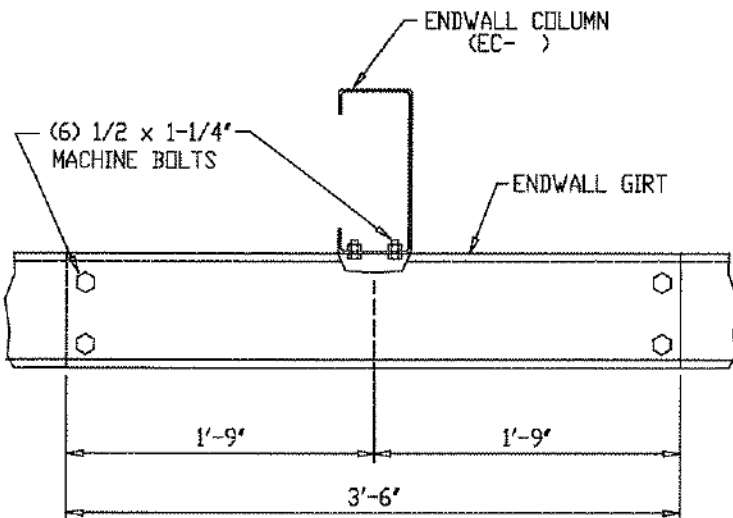


AT CORNER COLUMN

S-3-2A

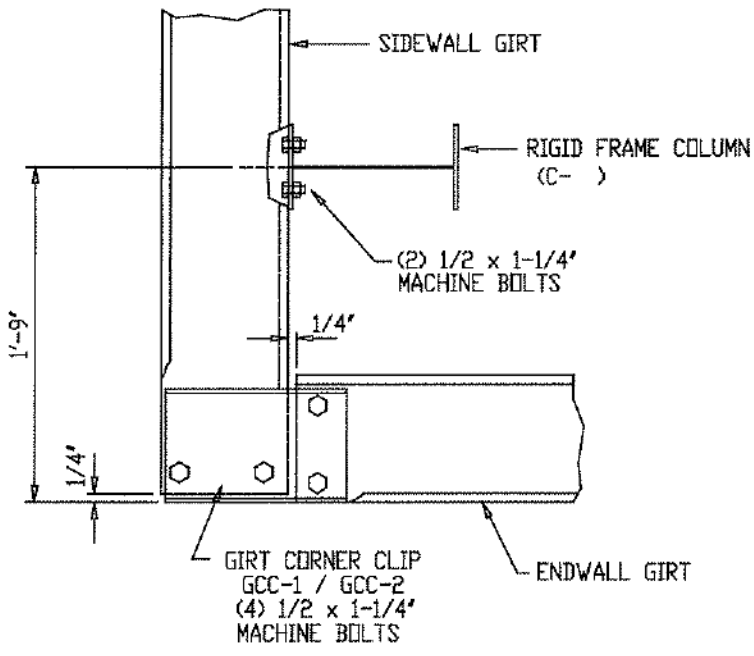
SHORT LAP AT ENDWALL COLUMN

S-3-2B



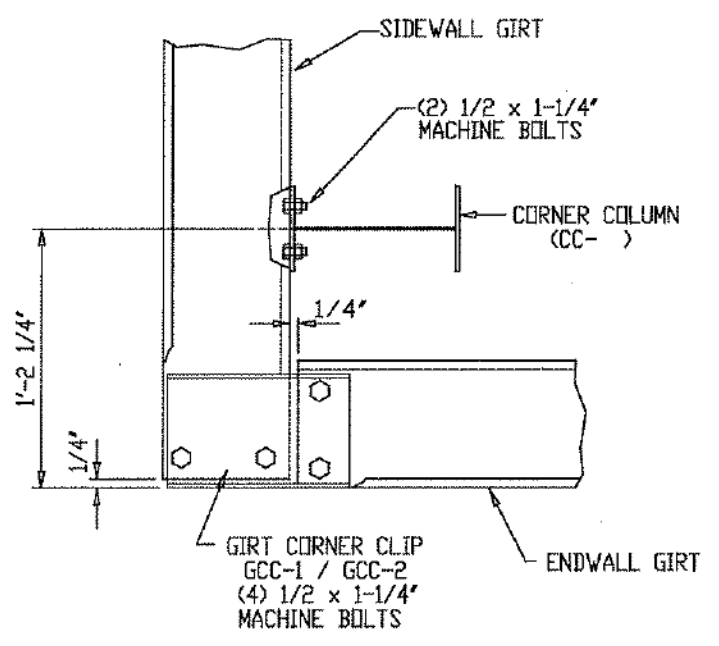
LONG LAP AT ENDWALL COLUMN

S-3-2C



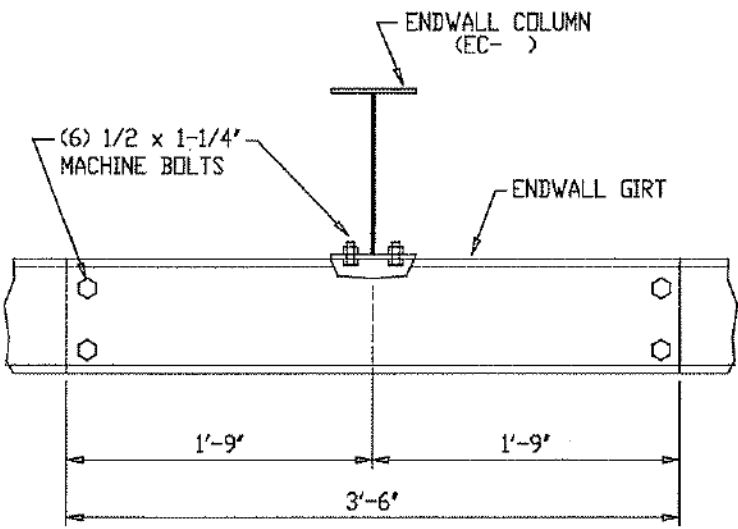
AT MAIN FRAME CORNER COLUMN

S-3-3A



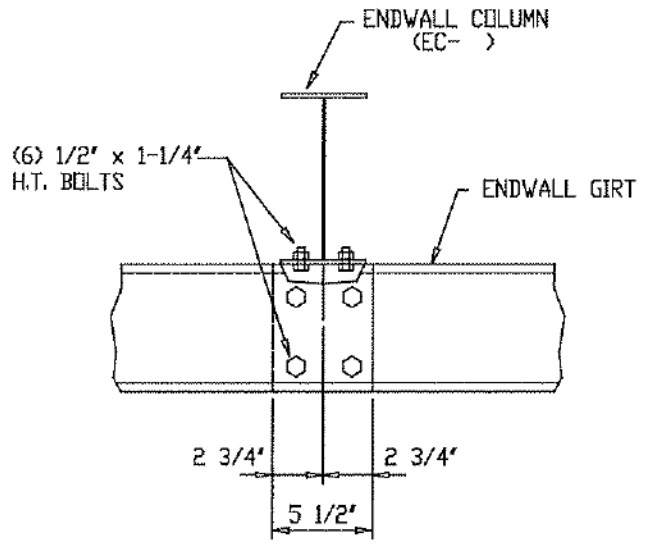
AT CORNER COLUMN

S-3-3B



LONG LAP AT ENDWALL COLUMN

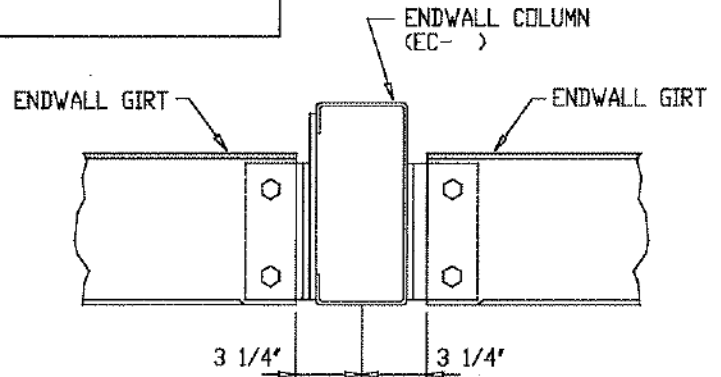
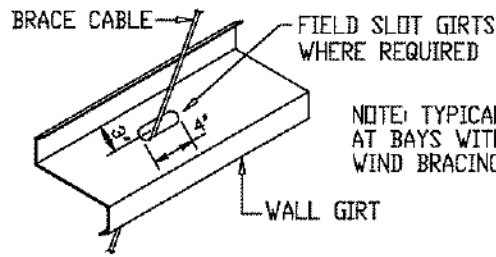
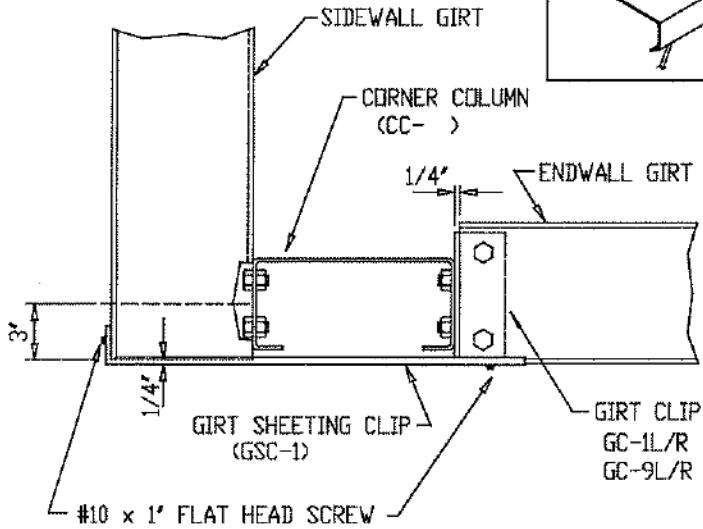
S-3-3C



SHORT LAP AT ENDWALL COLUMN

S-3-3D

ALL BOLTS SHOWN
1/2" x 1-1/4"
MACHINE BOLTS



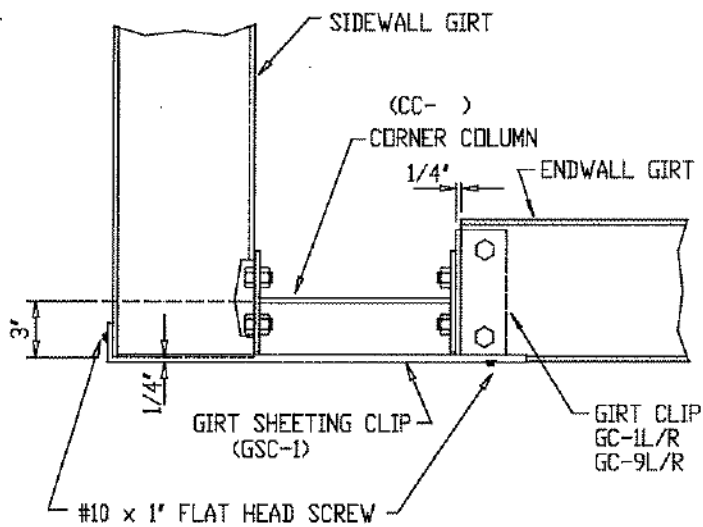
ALL BOLTS SHOWN
1/2" x 1-1/4"
MACHINE BOLTS

COLD FORMED CORNER COLUMN

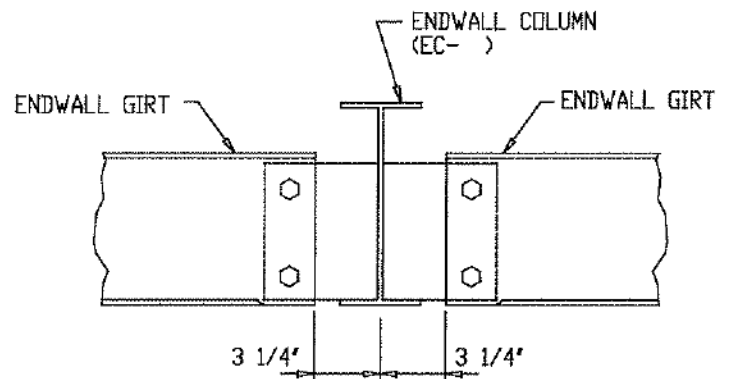
S-3-4A

COLD FORMED ENDWALL COLUMN

S-3-4B



ALL BOLTS SHOWN
1/2" x 1-1/4"
MACHINE BOLTS



ALL BOLTS SHOWN
1/2" x 1-1/4"
MACHINE BOLTS

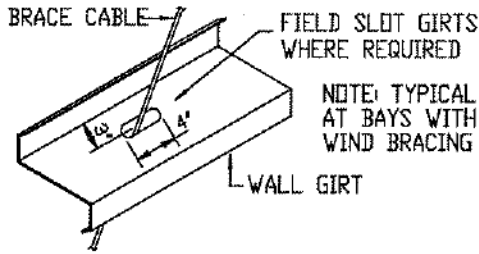
BUILT-UP CORNER COLUMN

S-3-4C

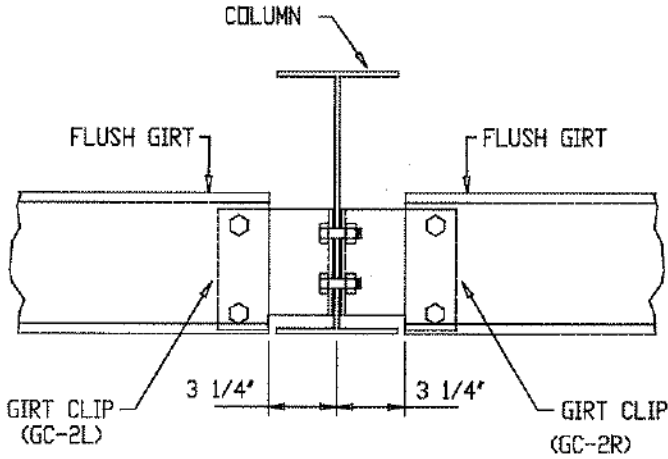
BUILT-UP ENDWALL COLUMN

S-3-4D

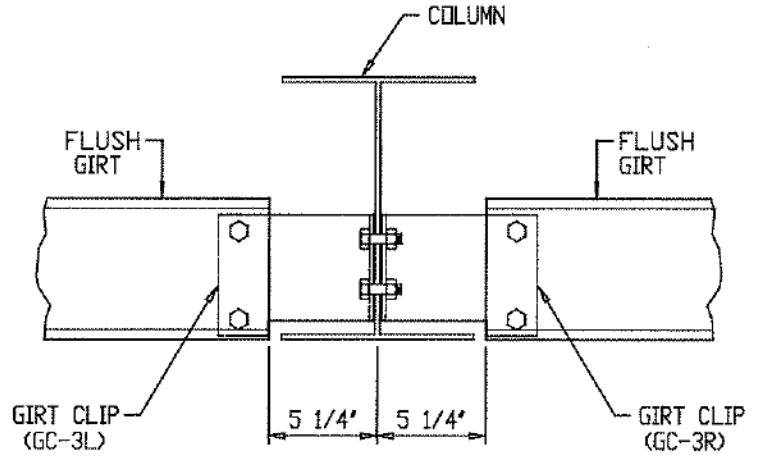
ALL BOLTS SHOWN
1/2" x 1-1/4"
MACHINE BOLTS



ALL BOLTS SHOWN
1/2" x 1-1/4"
MACHINE BOLTS



7' GIRTS



7' GIRTS

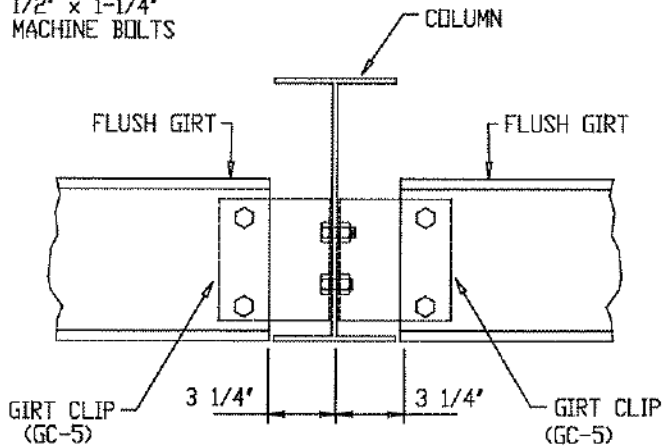
COLUMNS W/ 5' & 6' FLANGES

S-3-5A

COLUMNS W/ 8' & 10' FLANGES

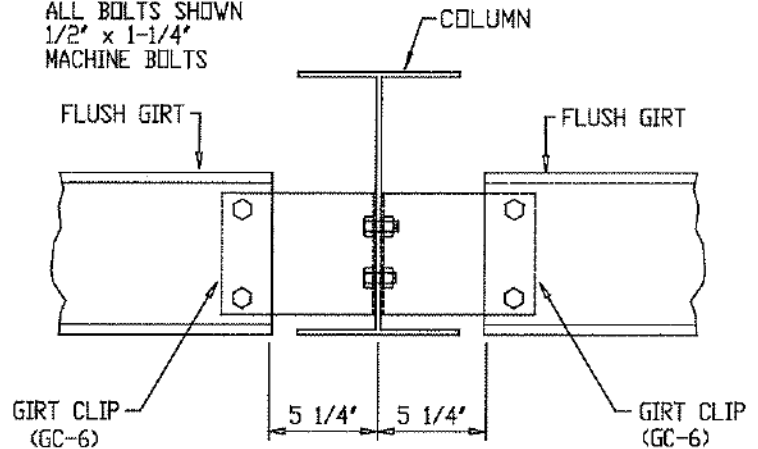
S-3-5B

ALL BOLTS SHOWN
1/2" x 1-1/4"
MACHINE BOLTS



8' GIRTS

ALL BOLTS SHOWN
1/2" x 1-1/4"
MACHINE BOLTS



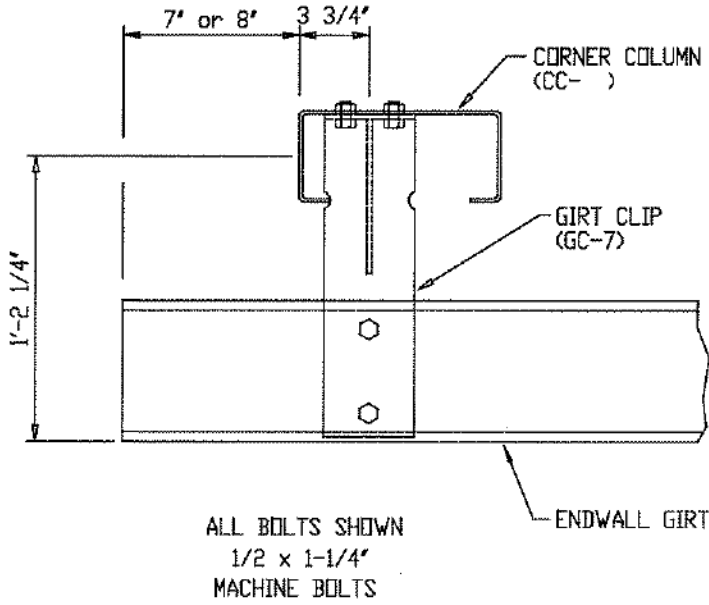
8' GIRTS

COLUMNS W/ 5' & 6' FLANGES

S-3-5C

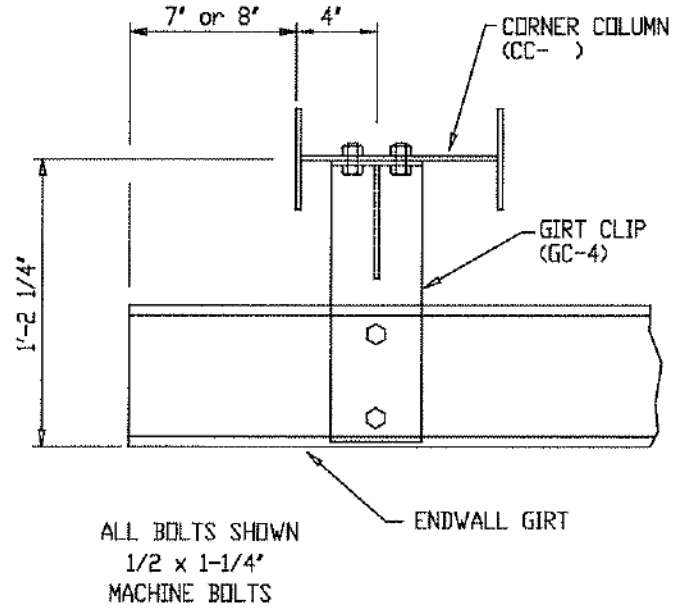
COLUMNS W/ 8' & 10' FLANGES

S-3-5D



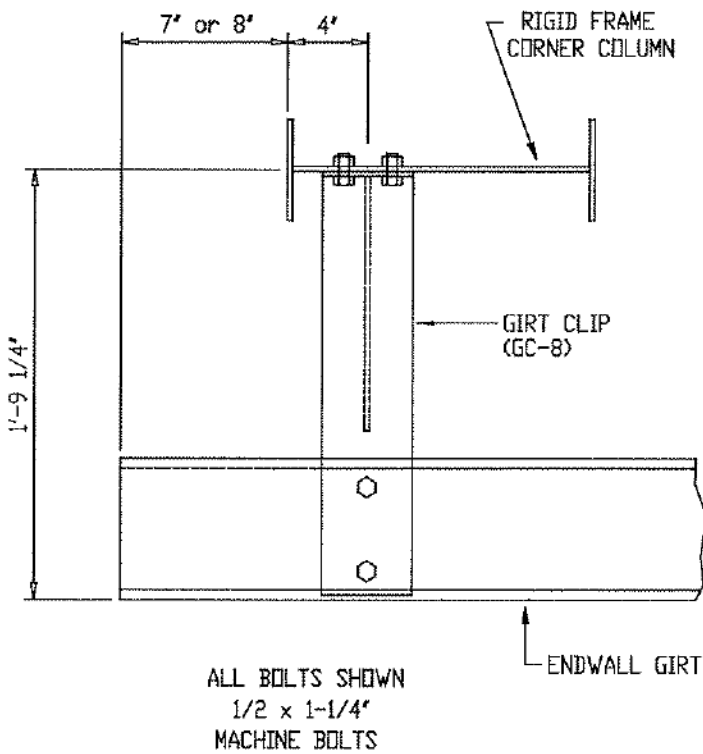
ENDWALL GIRT TO CORNER COLUMN

S-3-6A



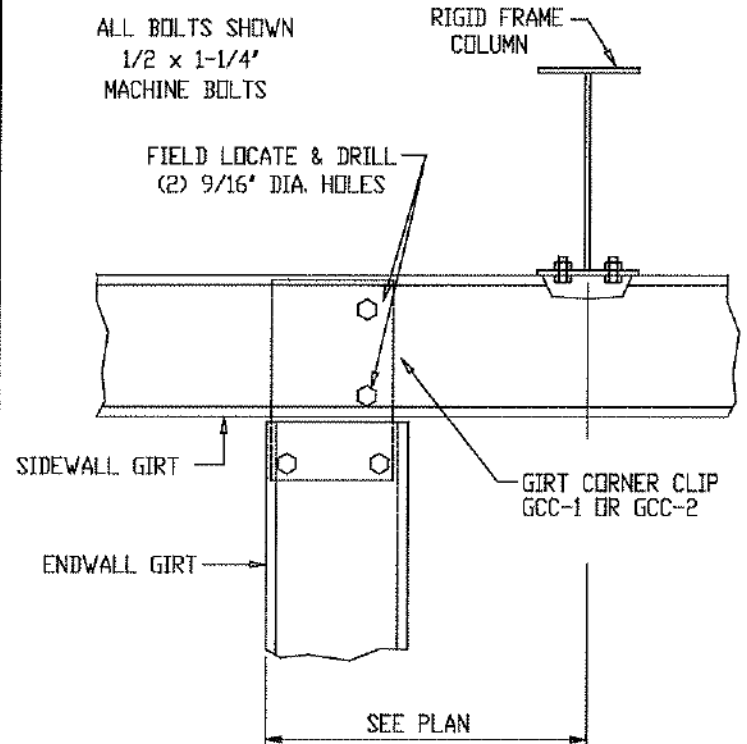
ENDWALL GIRT TO CORNER COLUMN

S-3-6B



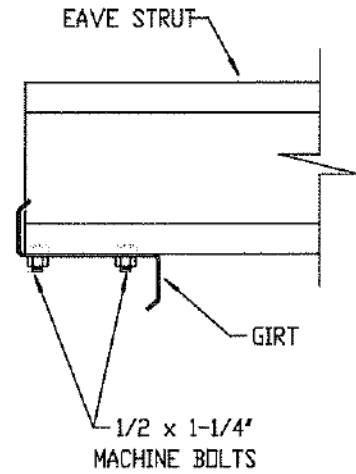
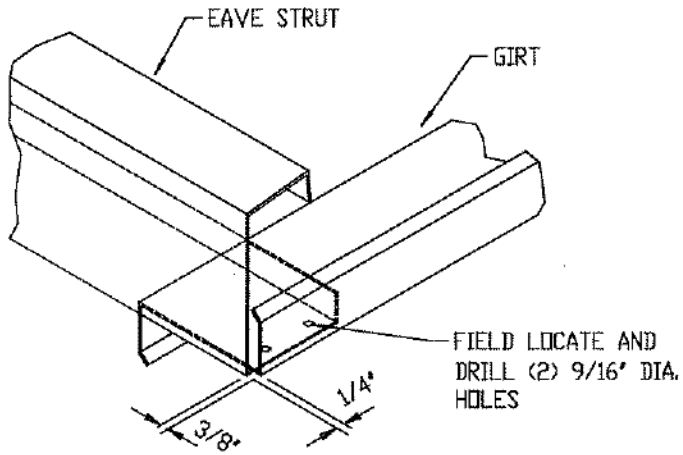
ENDWALL GIRT TO CORNER COLUMN

S-3-6C



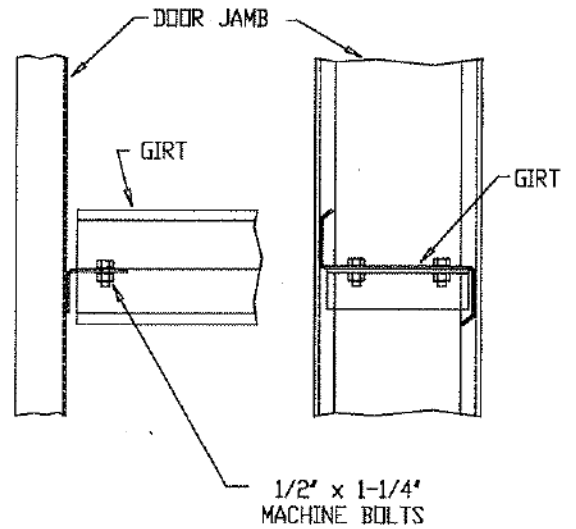
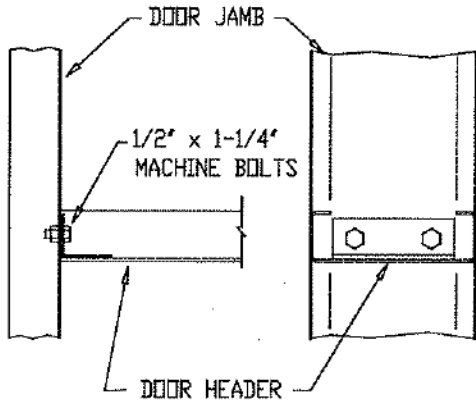
INSIDE CORNER CONNECTION

S-3-6D



ENDWALL GIRT TO EAVE STRUT

S-3-7A

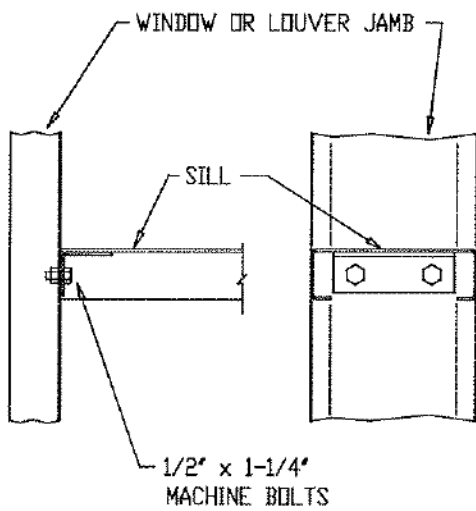


HEADER TO JAMB

S-4-1A

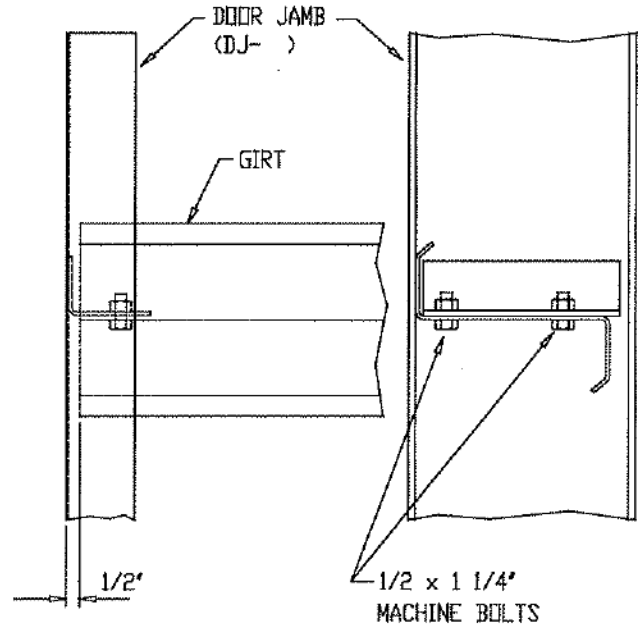
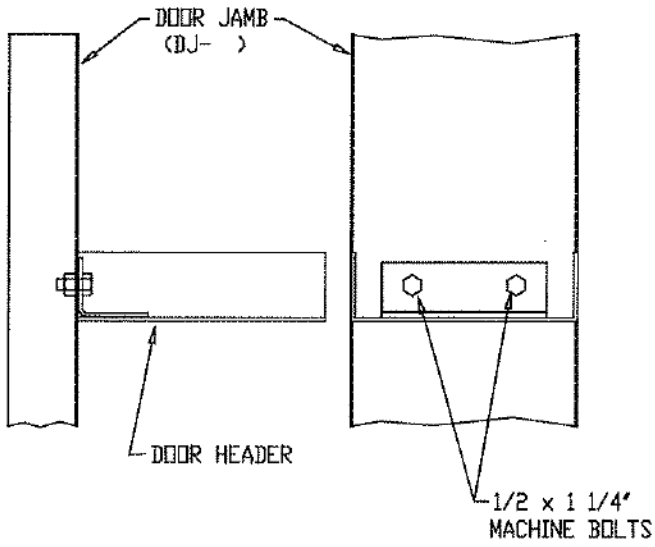
GIRT TO JAMB

S-4-1B



SILL TO JAMB

S-4-1C

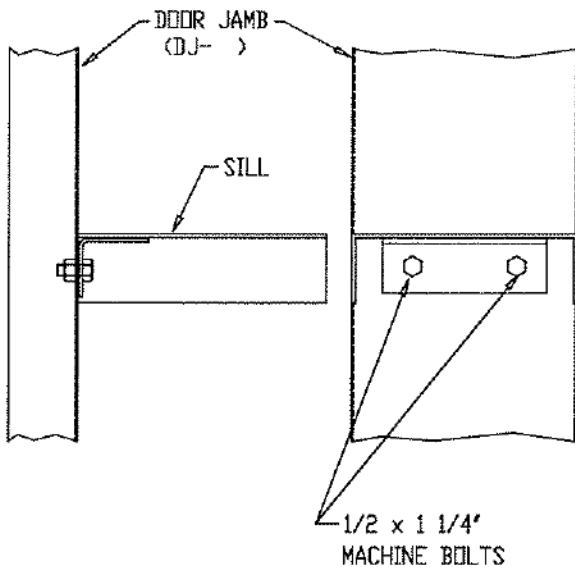


HEADER TO JAMB

S-4-2A

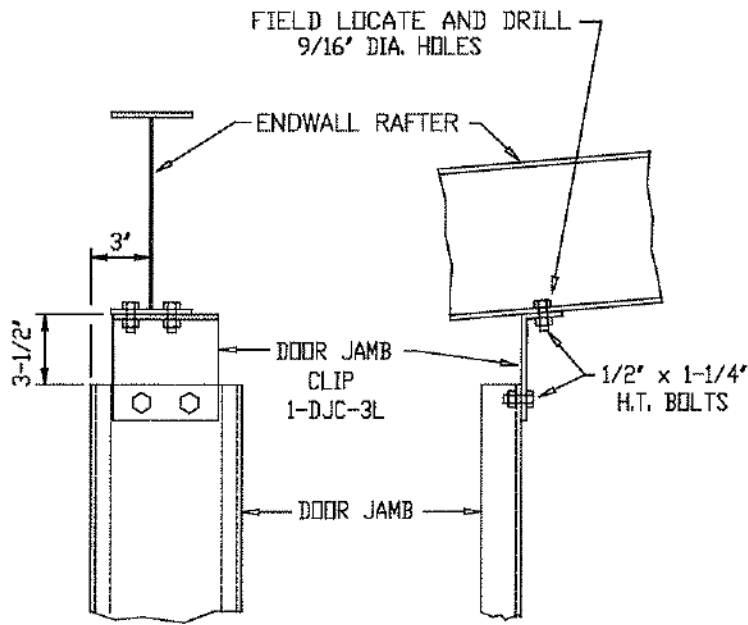
GIRT TO JAMB

S-4-2B



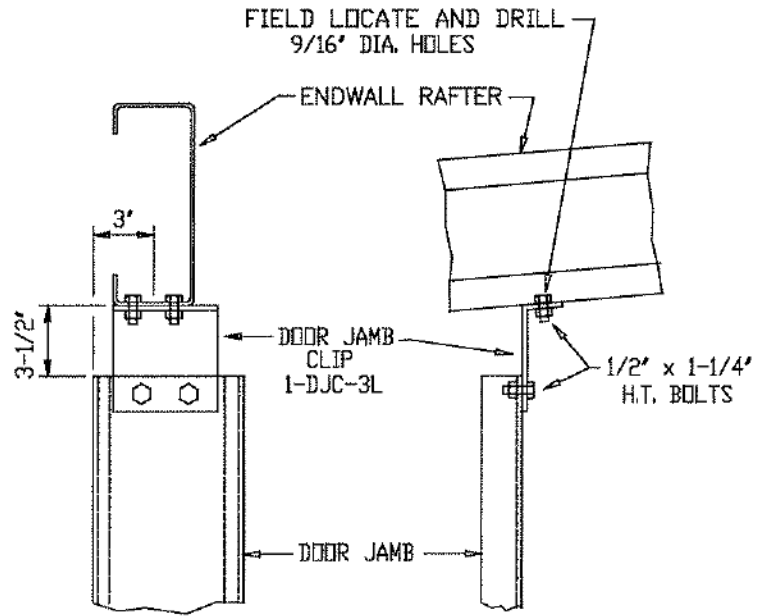
SILL TO JAMB

S-4-2C



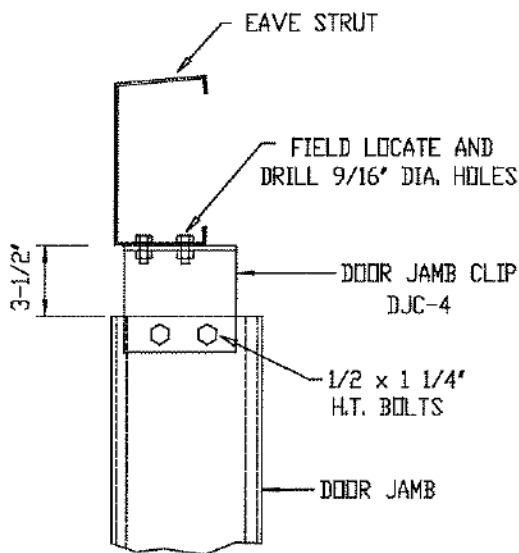
AT FLUSH BUILT-UP RAFTER

S-4-3A



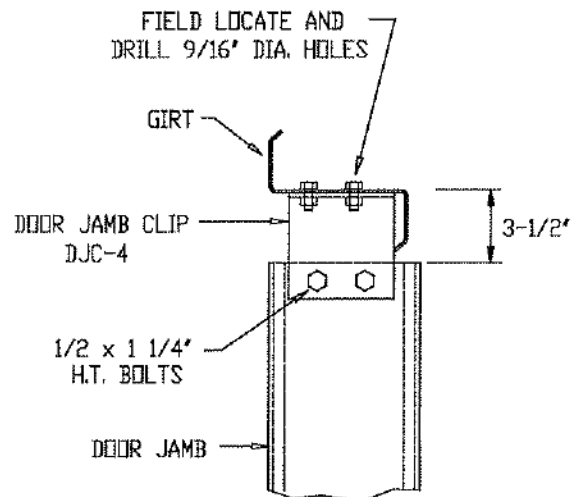
AT FLUSH COLD-FORMED RAFTER

S-4-3B



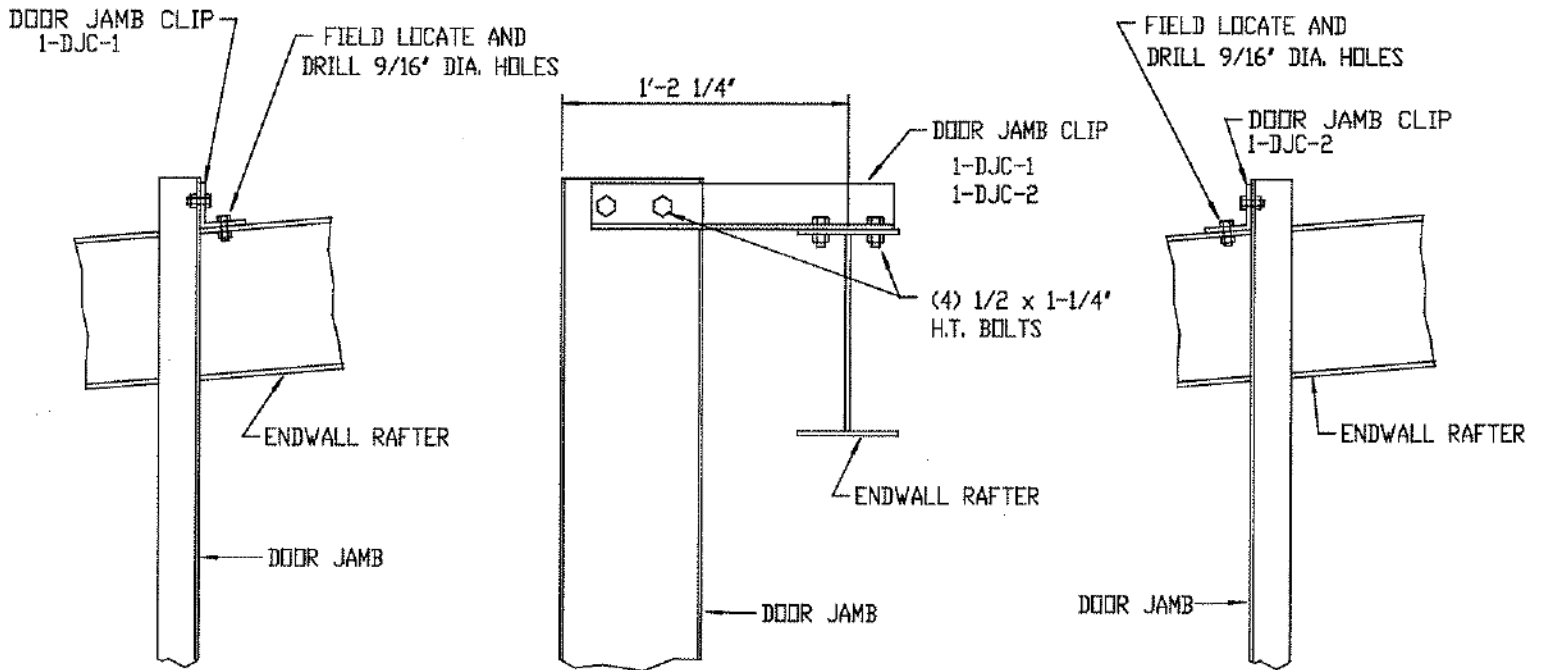
AT EAVE STRUT

S-4-3C



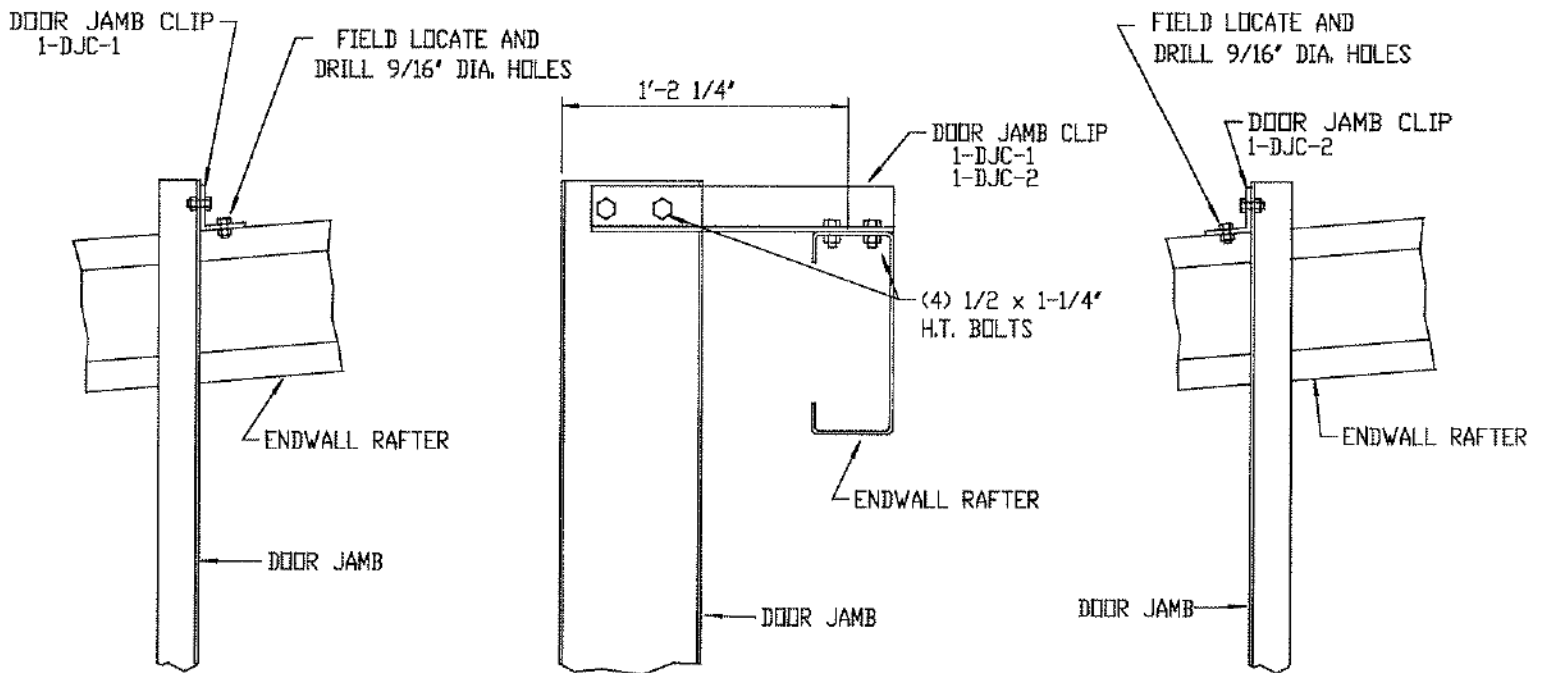
AT GIRT

S-4-3D



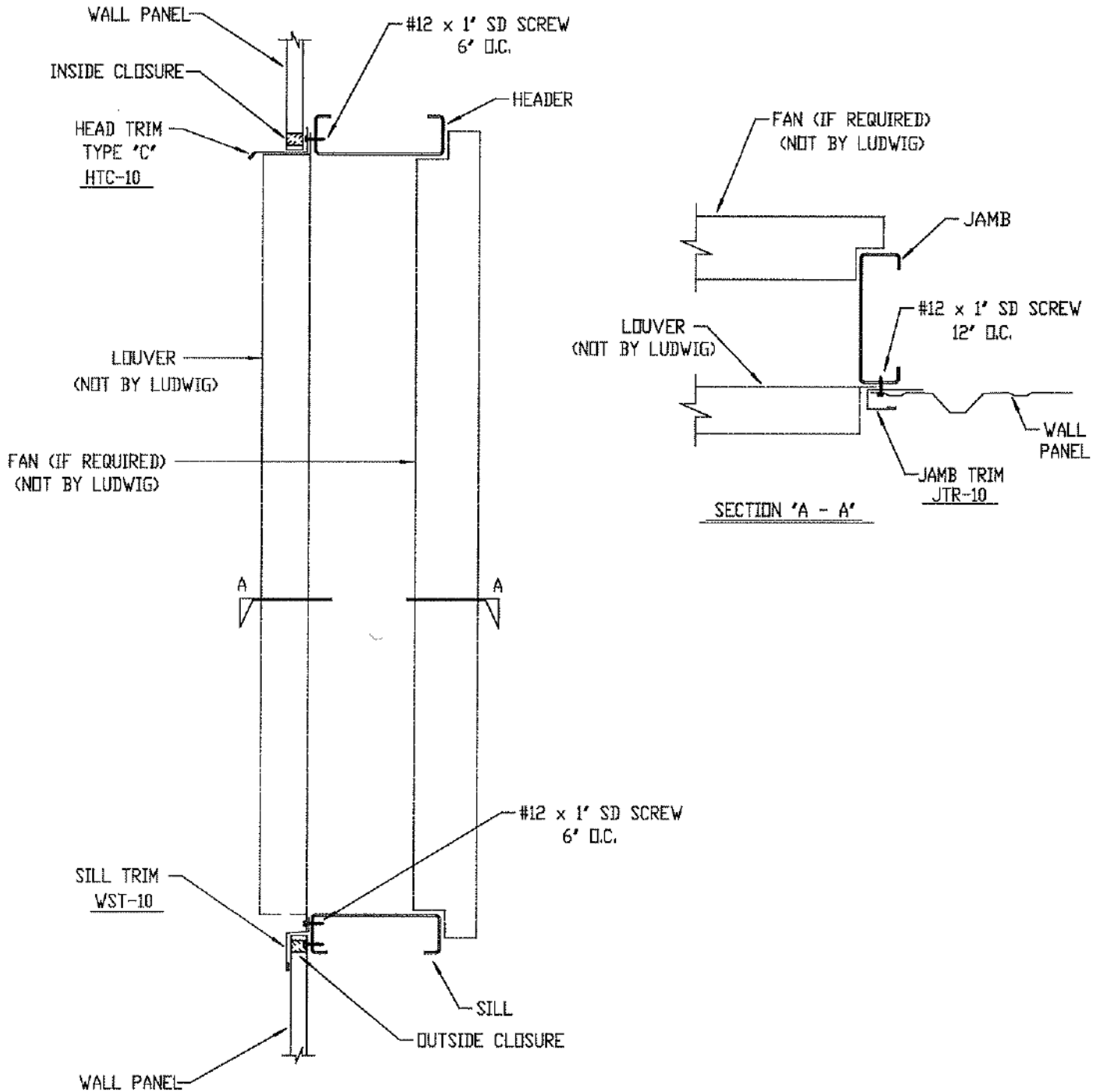
AT BY-PASS BUILT-UP RAFTER

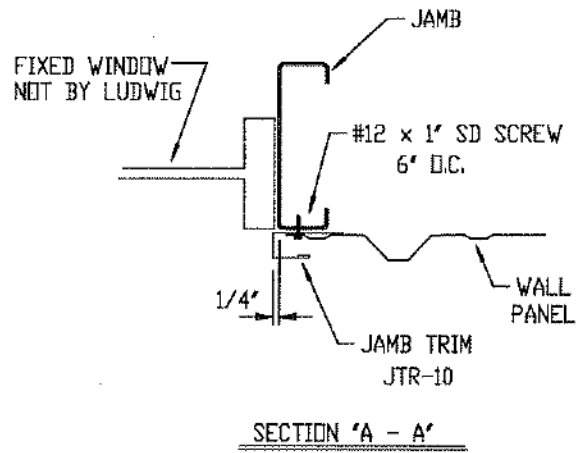
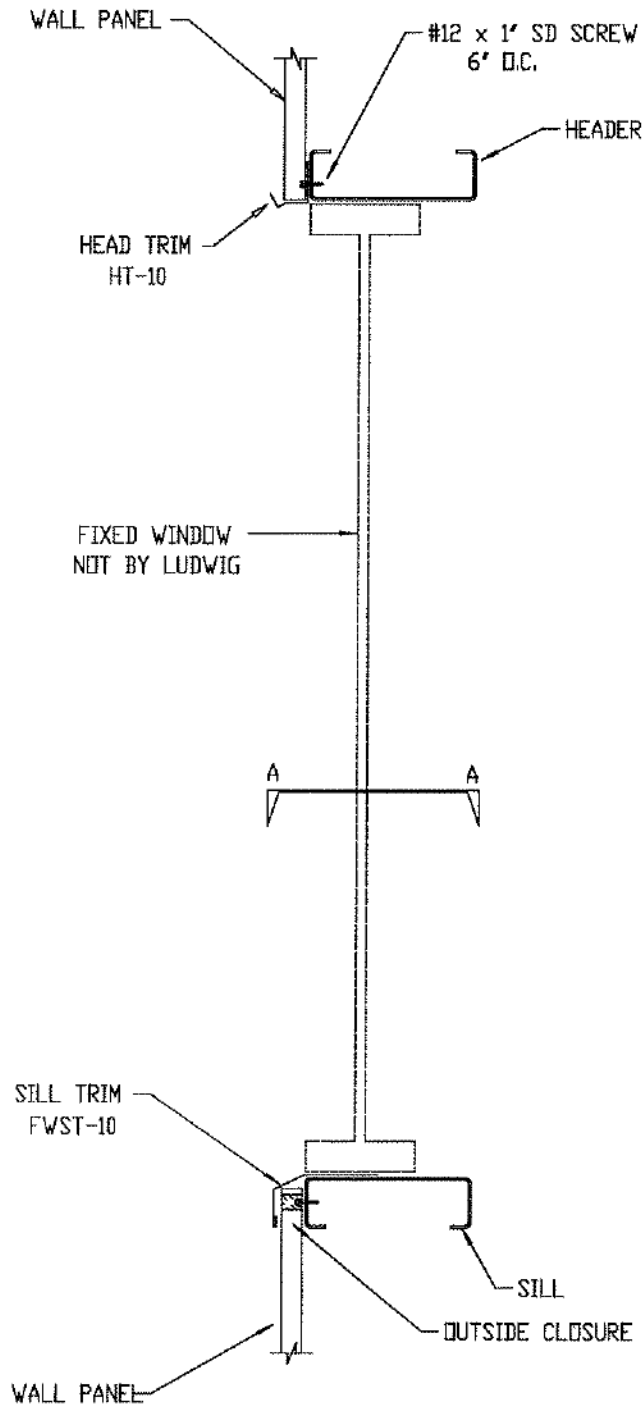
S-4-4A

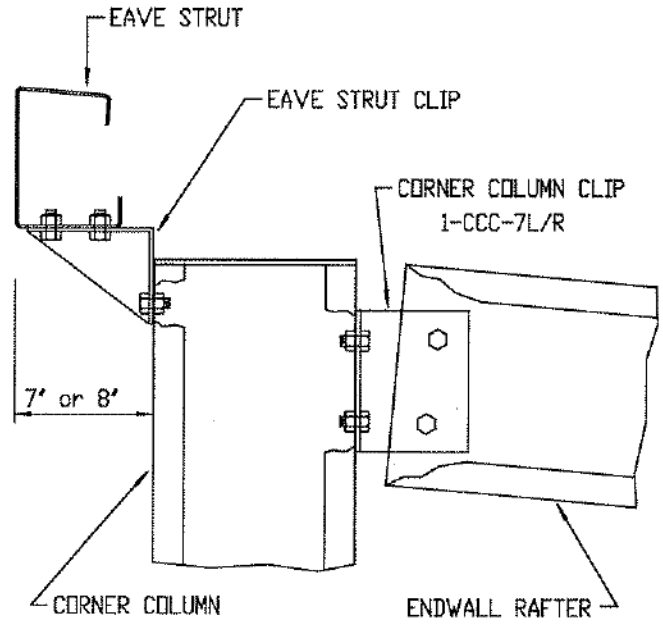
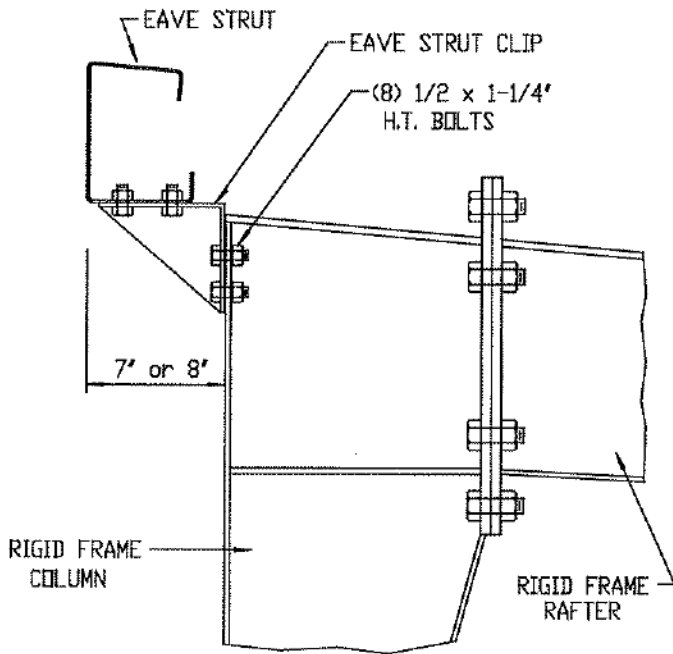


AT BY-PASS COLD FORMED RAFTER

S-4-4B







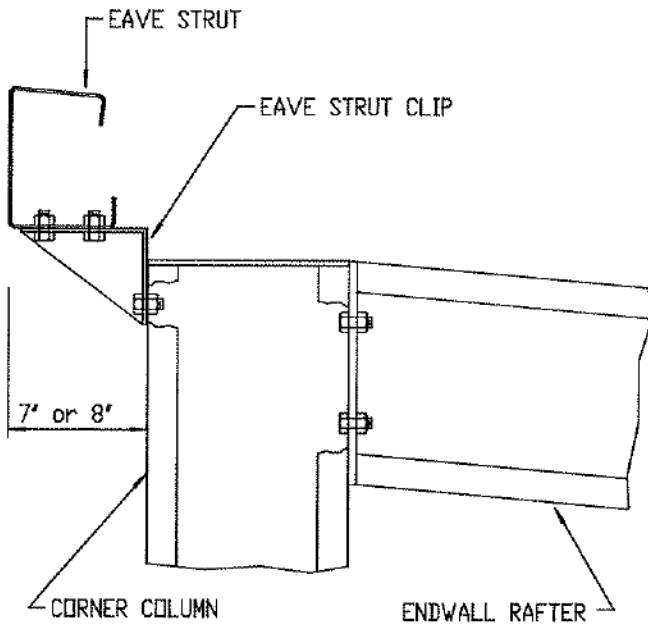
ALL BOLTS SHOWN
1/2 x 1-1/4'
H.T. BOLTS

RIGID FRAME / BUILT-UP

S-5-1C

COLD-FORMED

S-5-1B

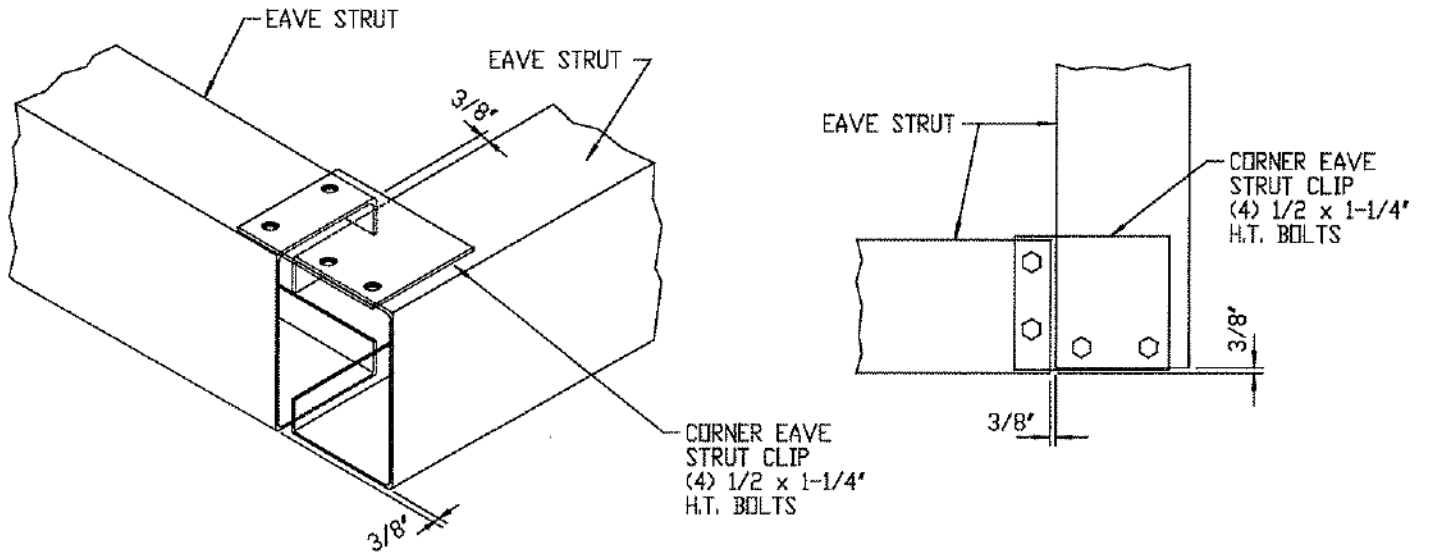


ALL BOLTS SHOWN
1/2 x 1-1/4'
H.T. BOLTS

COLD FORMED

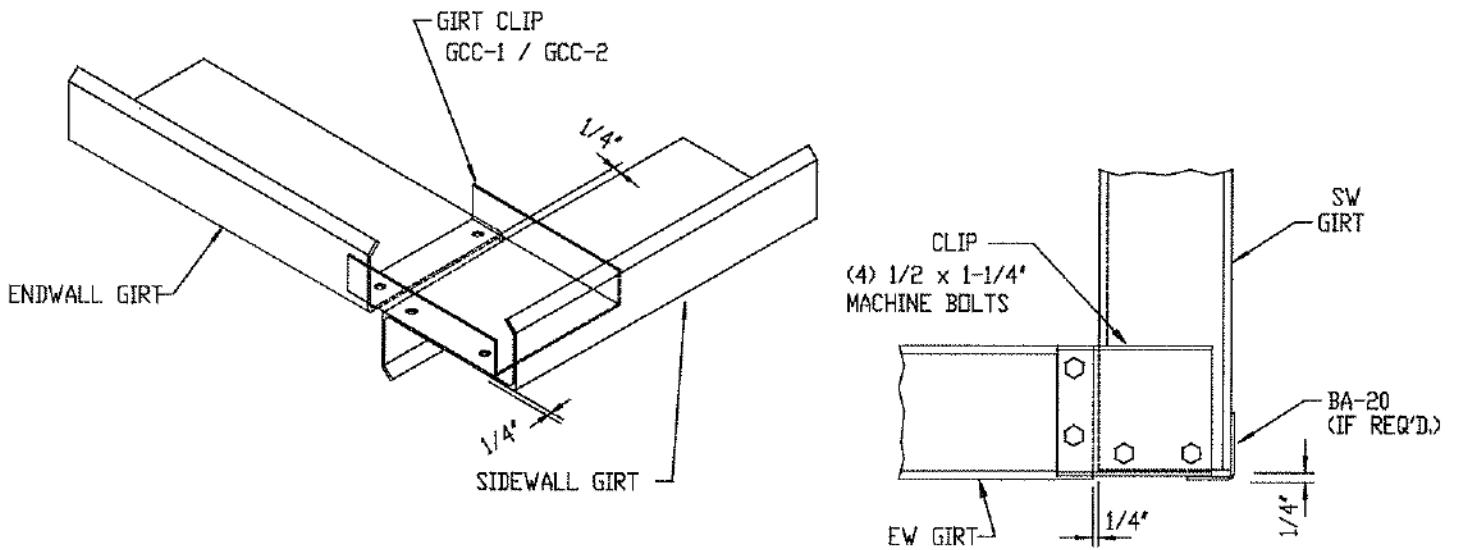
S-5-1C

S-5-1D



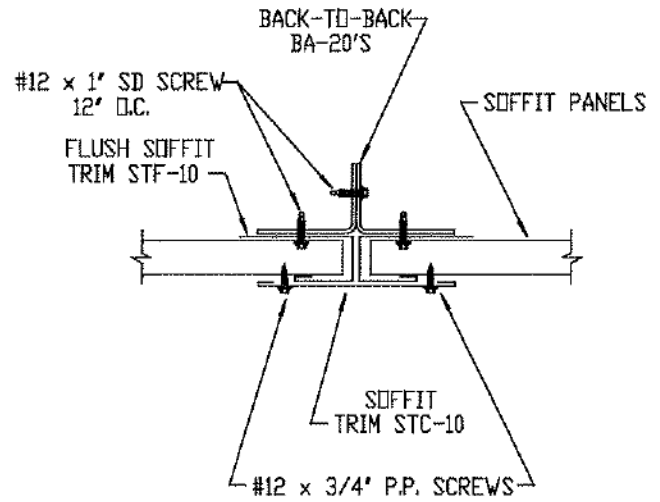
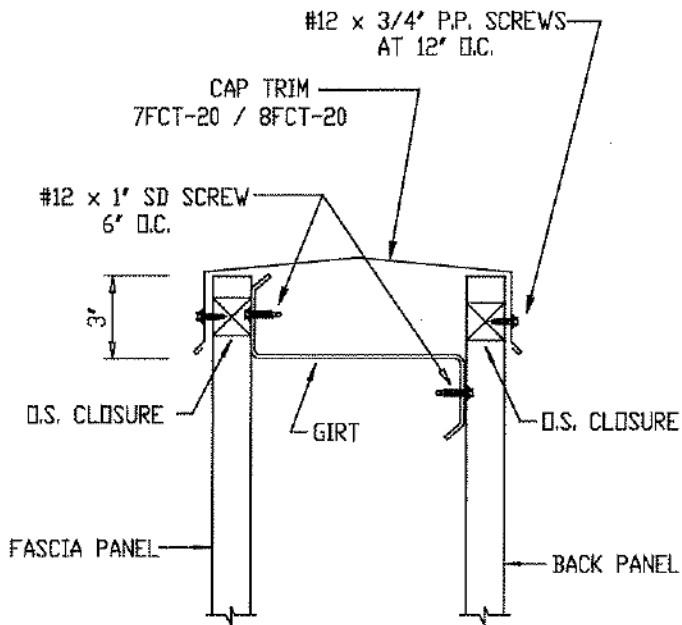
EAVE STRUTS

S-6-1A



GIRTS

S-6-1B

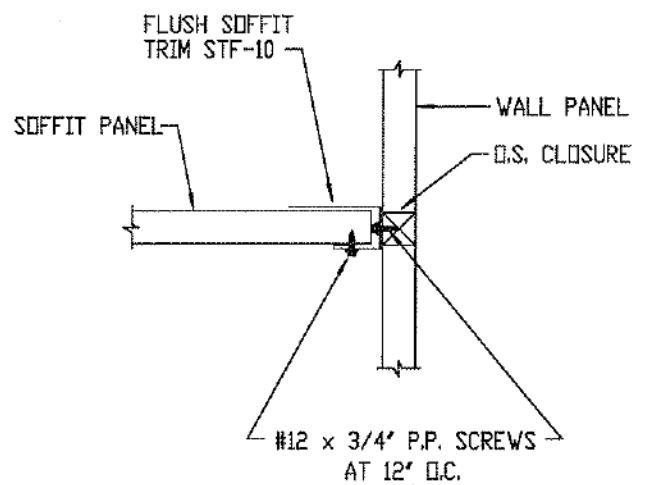
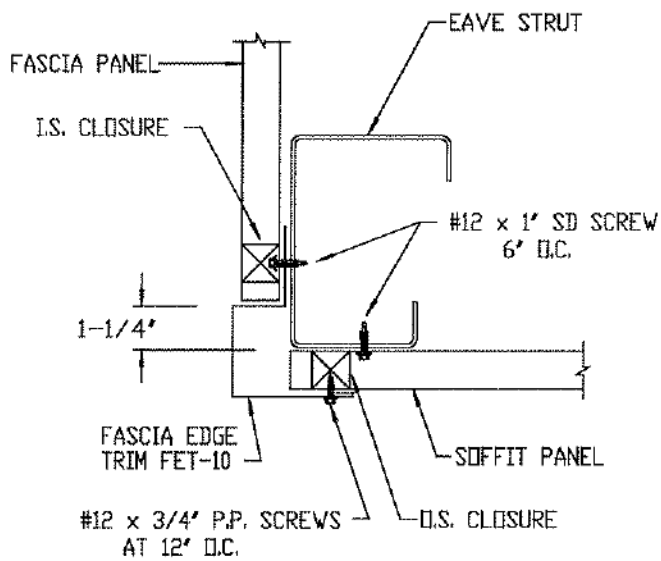


FASCIA CAP TRIM

S-6-2A

SOFFIT AT CORNER

S-6-2B

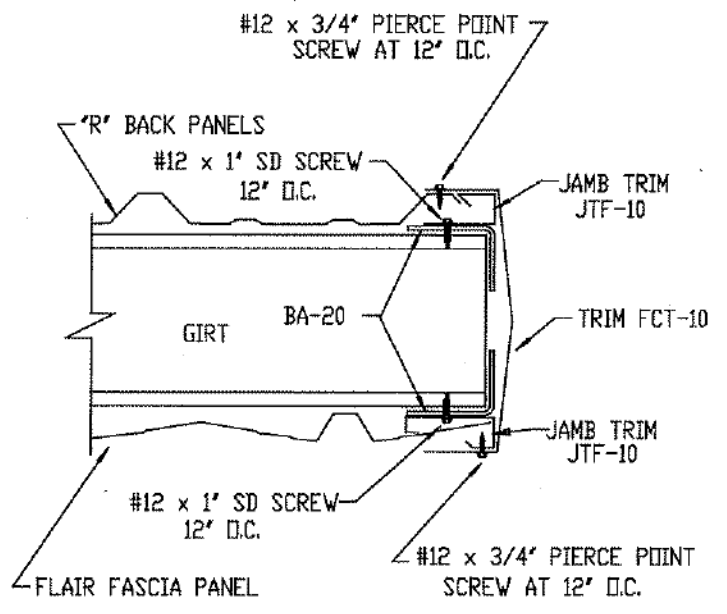
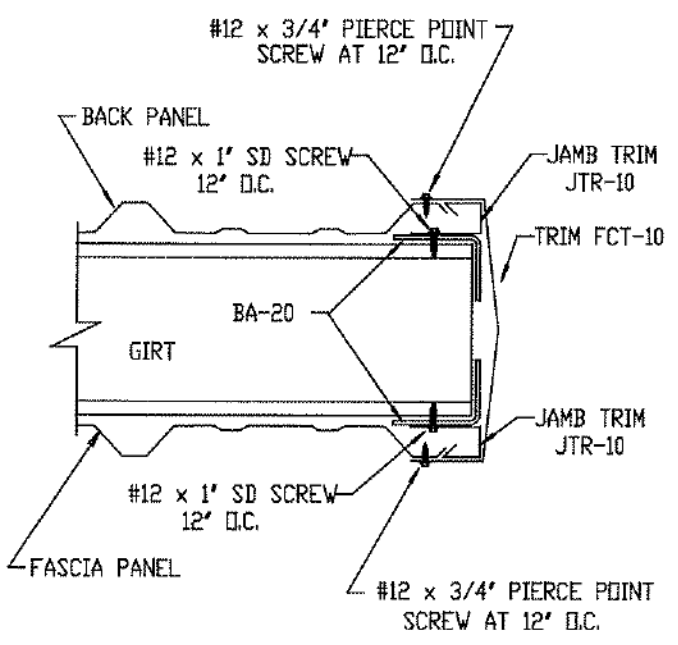


SOFFIT AT FASCIA EDGE

S-6-2C

SOFFIT AT WALL

S-6-2D

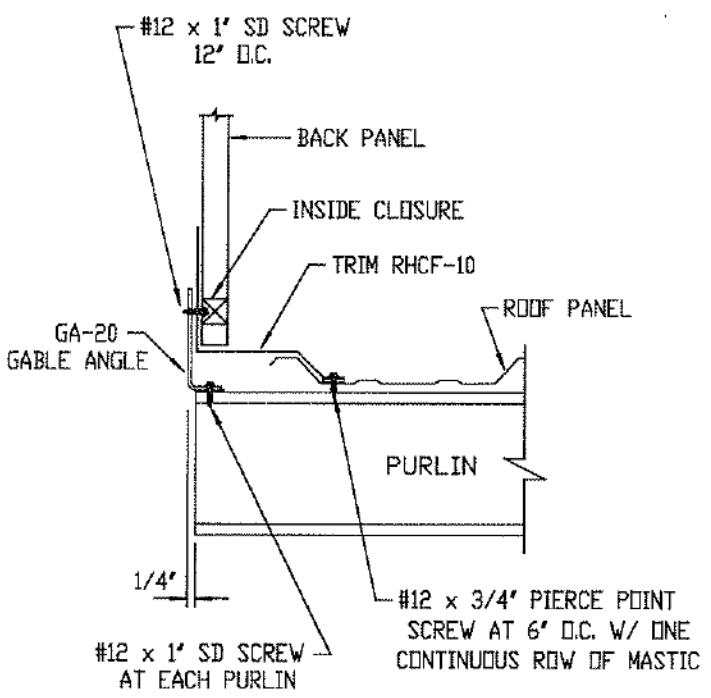


FASCIA RETURN (END)

S-6-3A

FASCIA RETURN (END)

S-6-3B



BACK PANEL AT ROOF

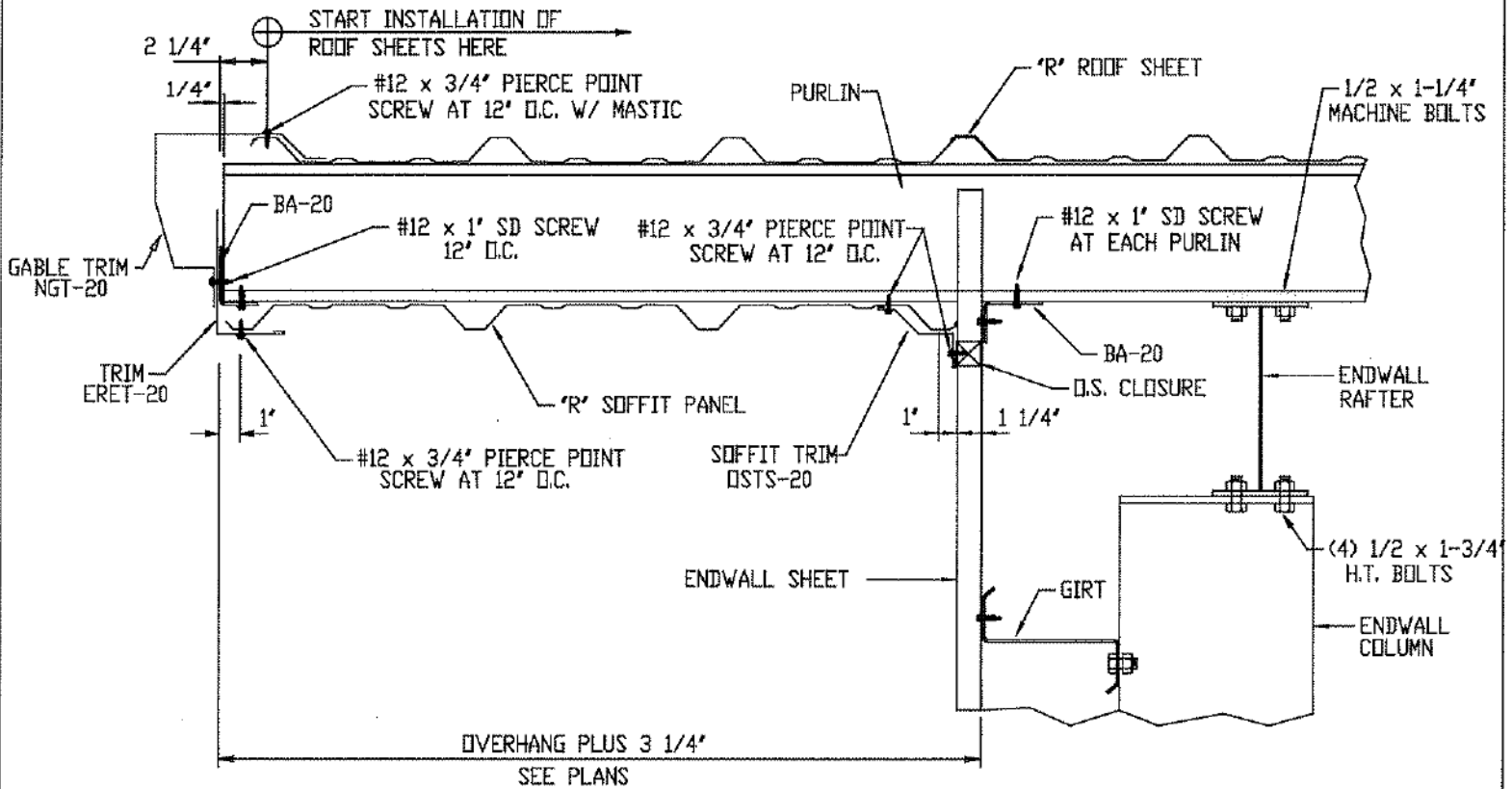
S-6-3C



ROOF EXTENSION &
CANOPY DETAILS
(AT ENDWALL)

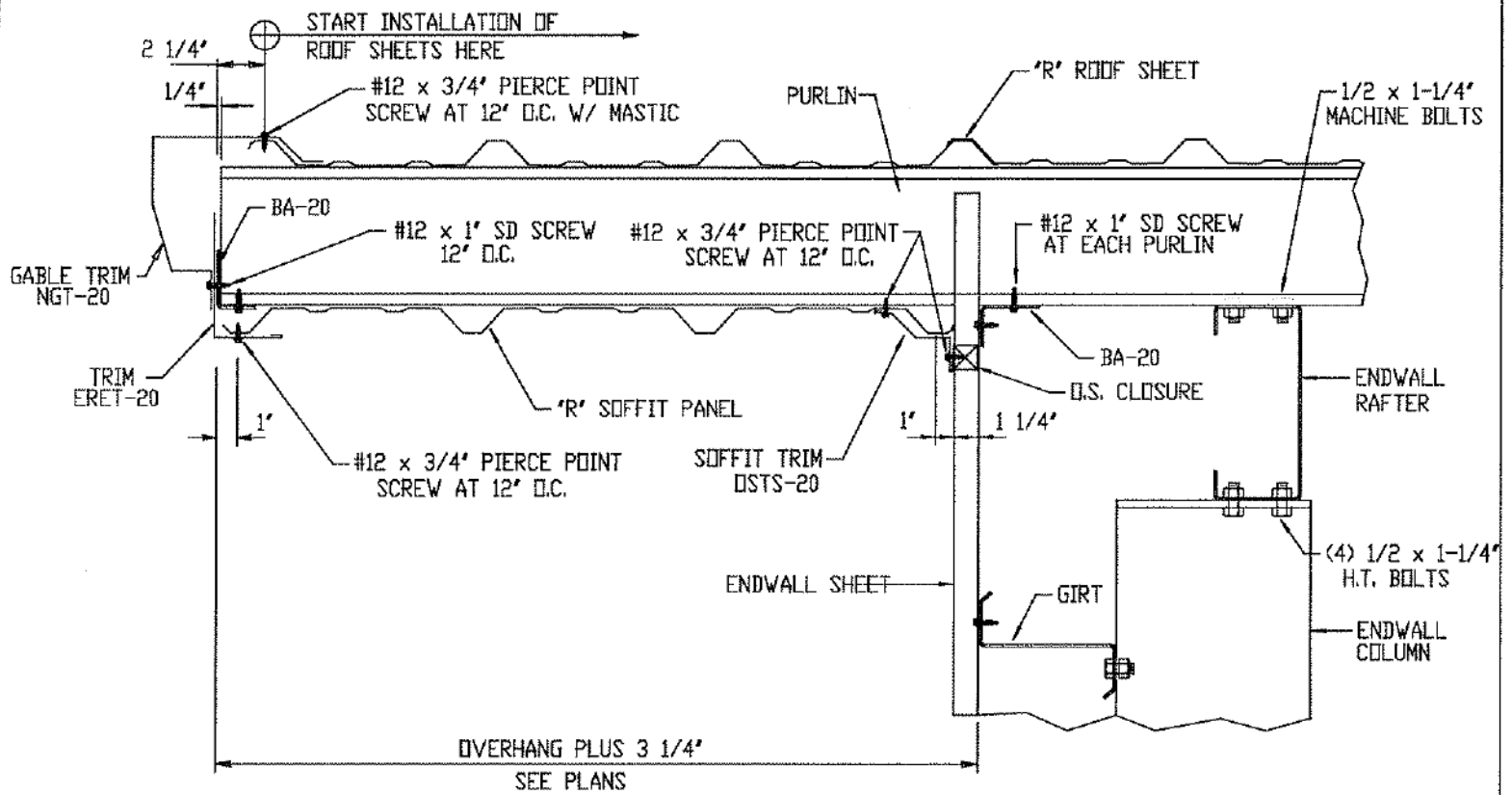
PAGE NO. 1

S-7-1



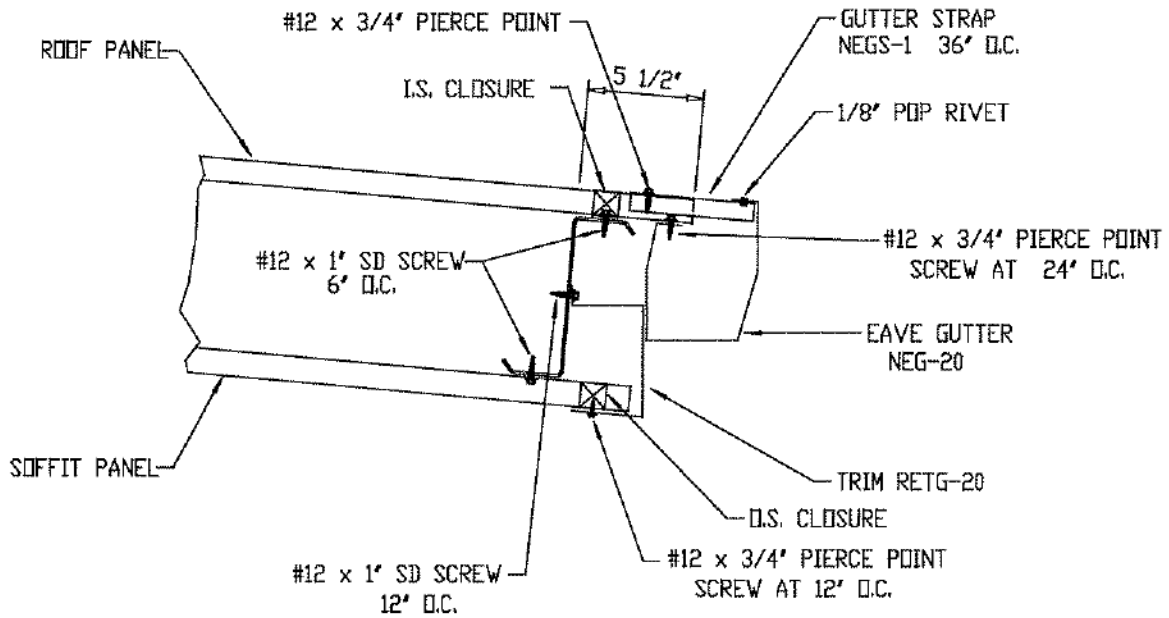
ROOF EXTENSION AT BUILT-UP ENDWALL FRAME

S-7-1A



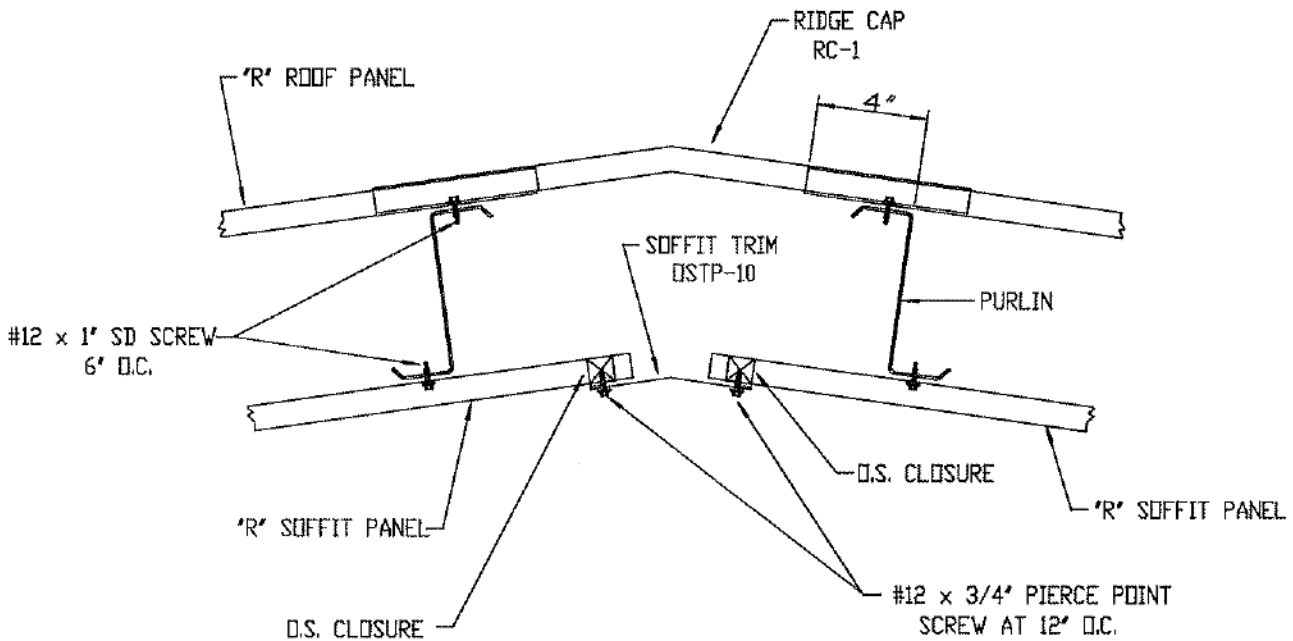
ROOF EXTENSION AT COLD FORMED ENDWALL FRAME

S-7-1B



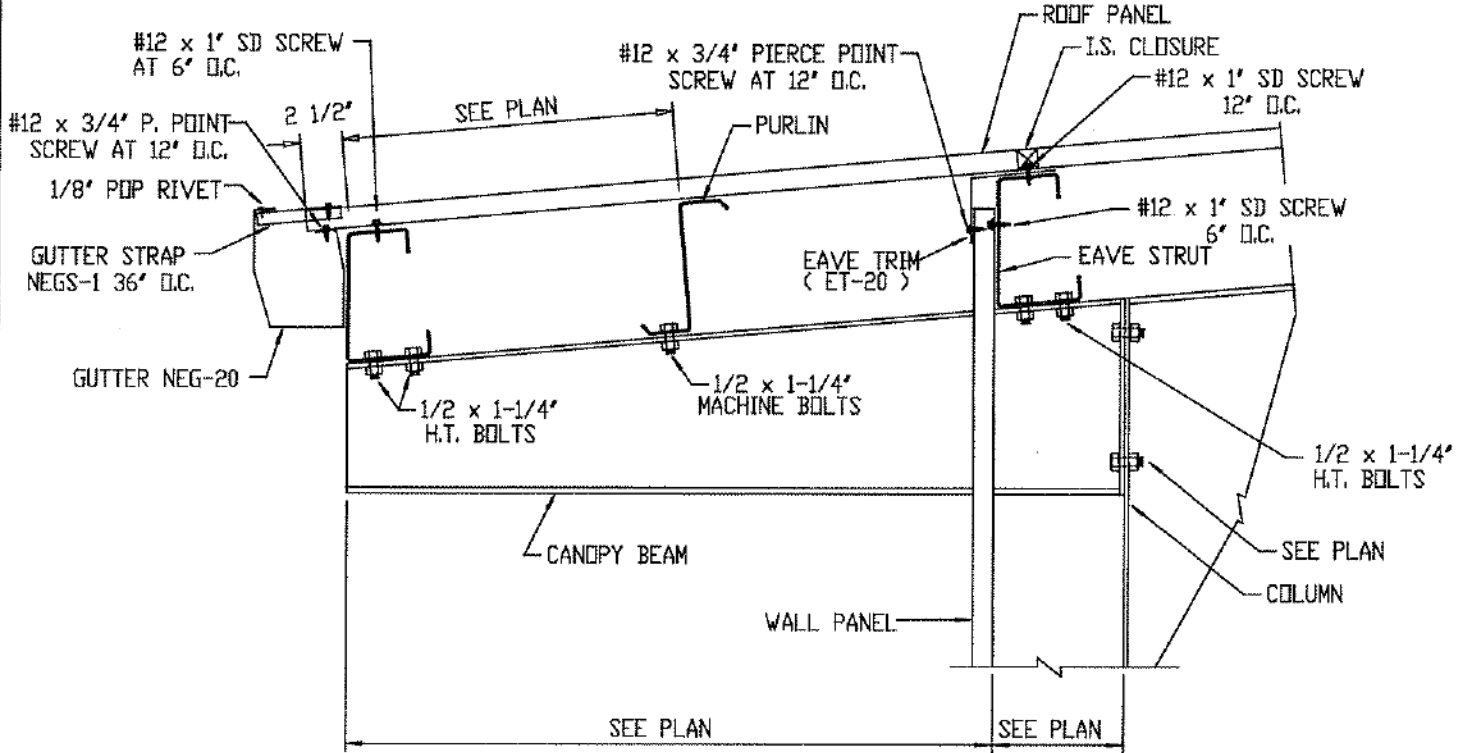
ENDWALL ROOF EXTENSION AT EAVE

S-7-2A



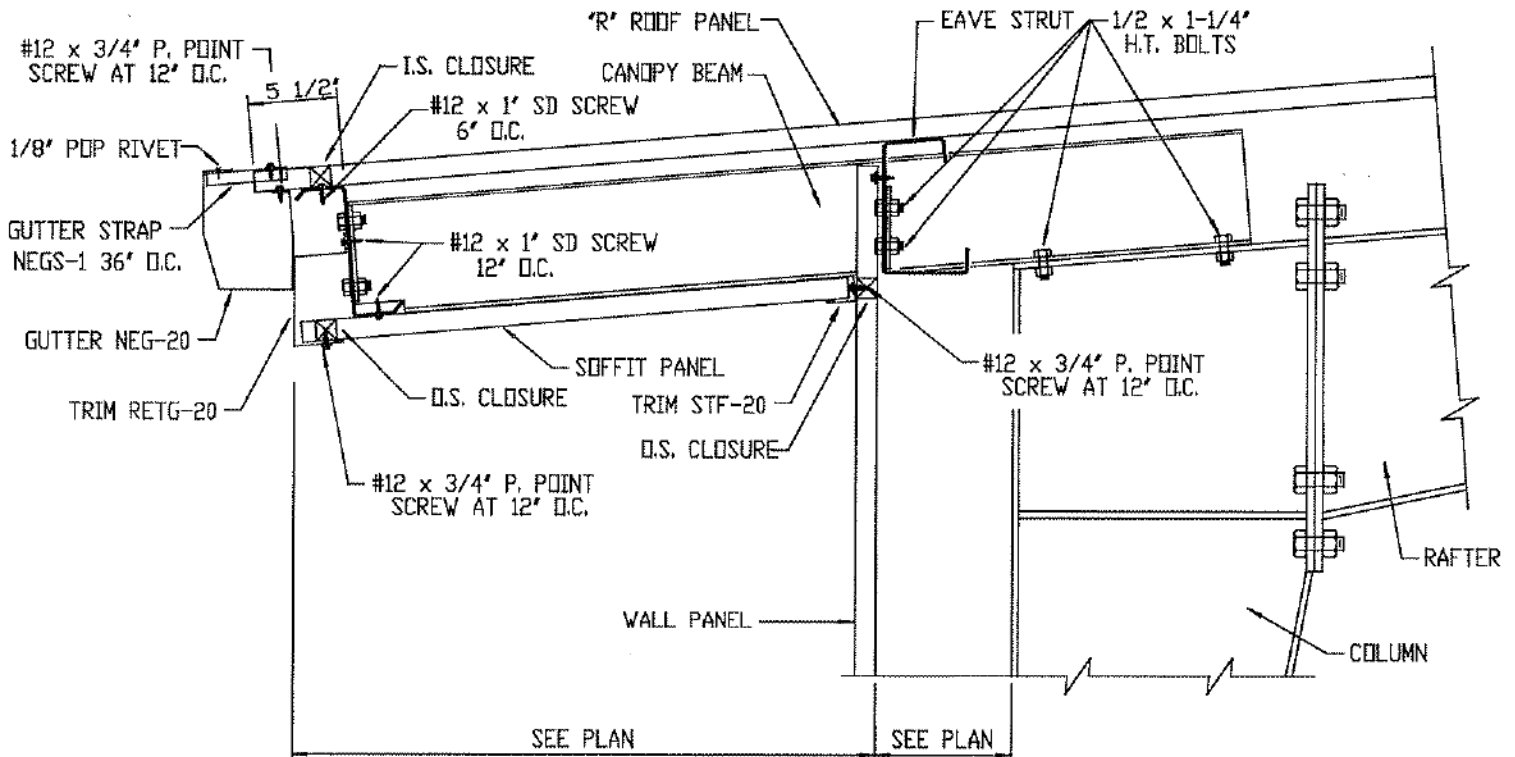
ENDWALL ROOF EXTENSION AT RIDGE

S-7-2B



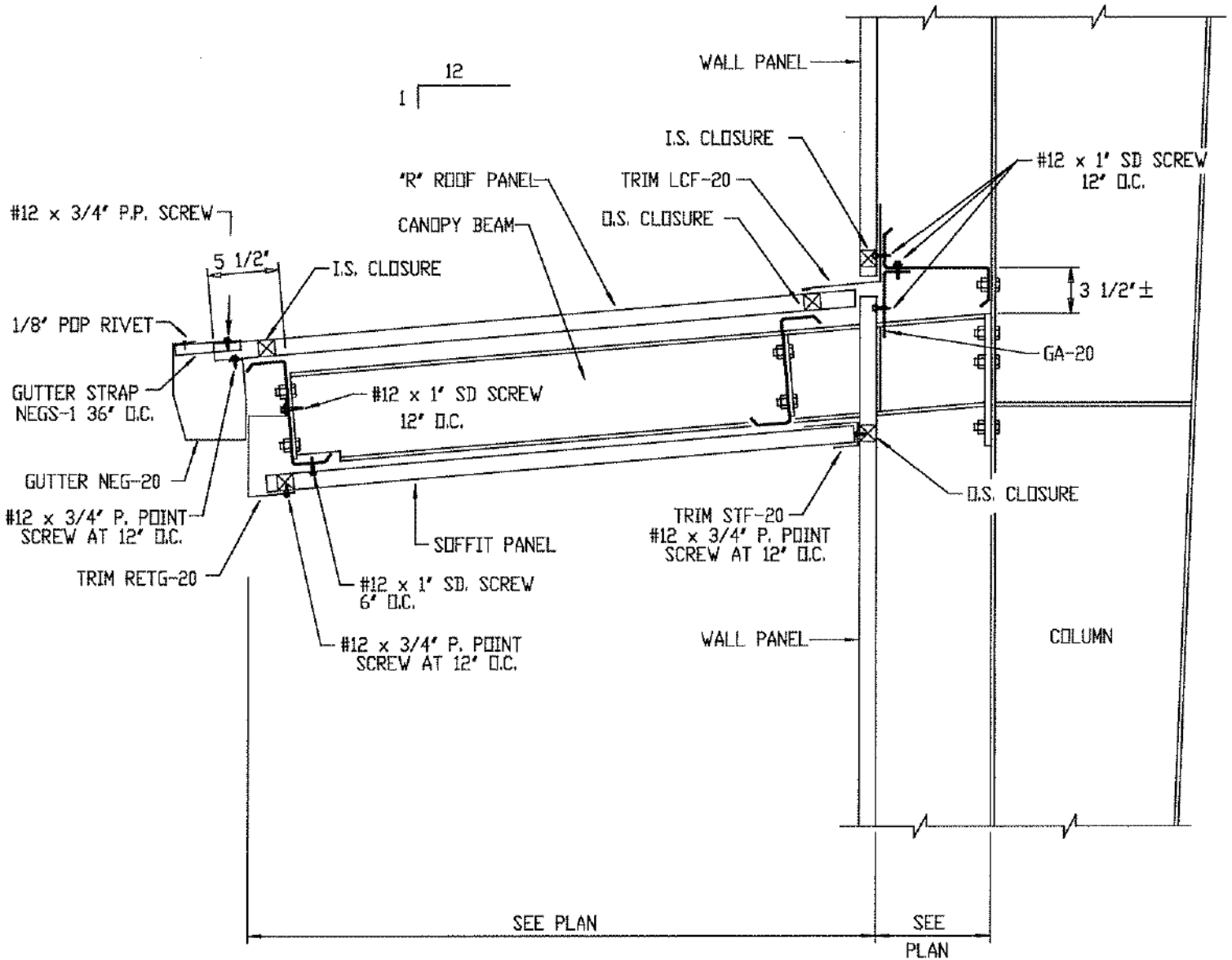
SIDEWALL CANOPY BEAM

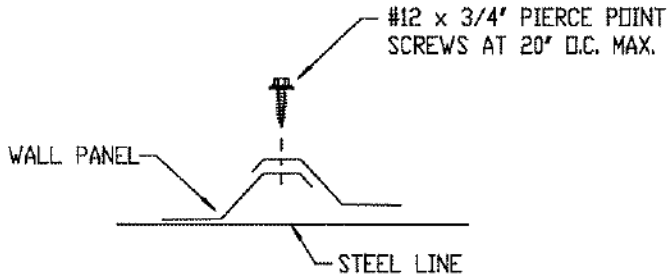
S-7-3A



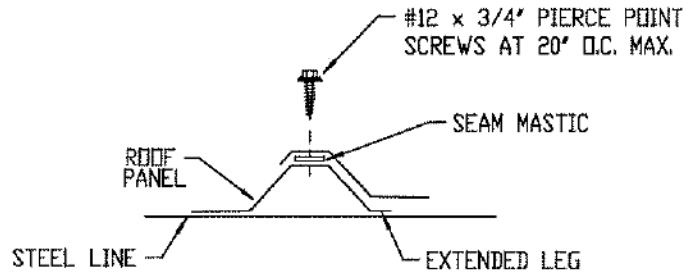
SIDEWALL ROOF EXTENSION

S-7-3B

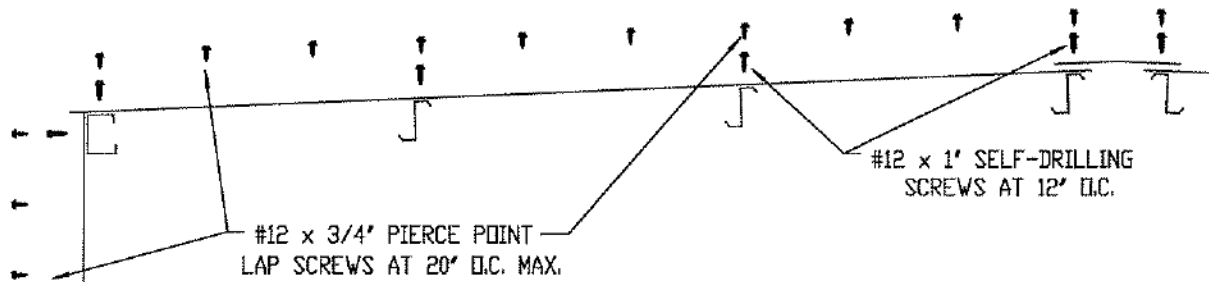




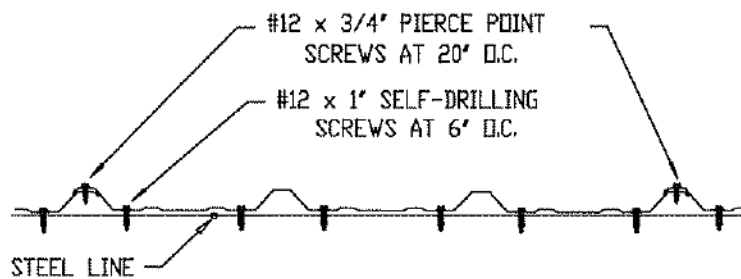
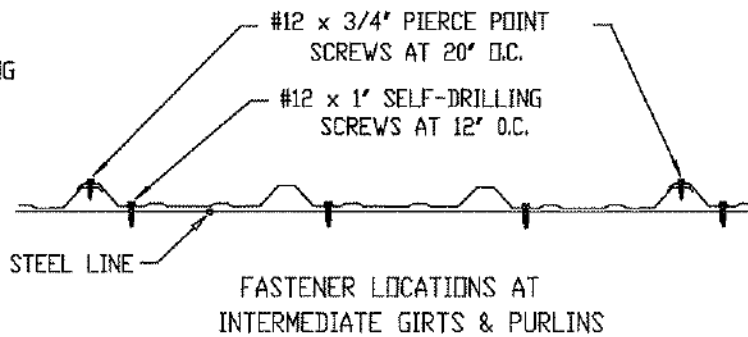
WALL PANEL SIDE LAPS



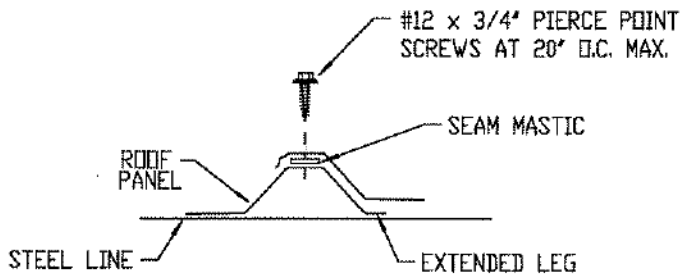
ROOF PANEL SIDE LAPS



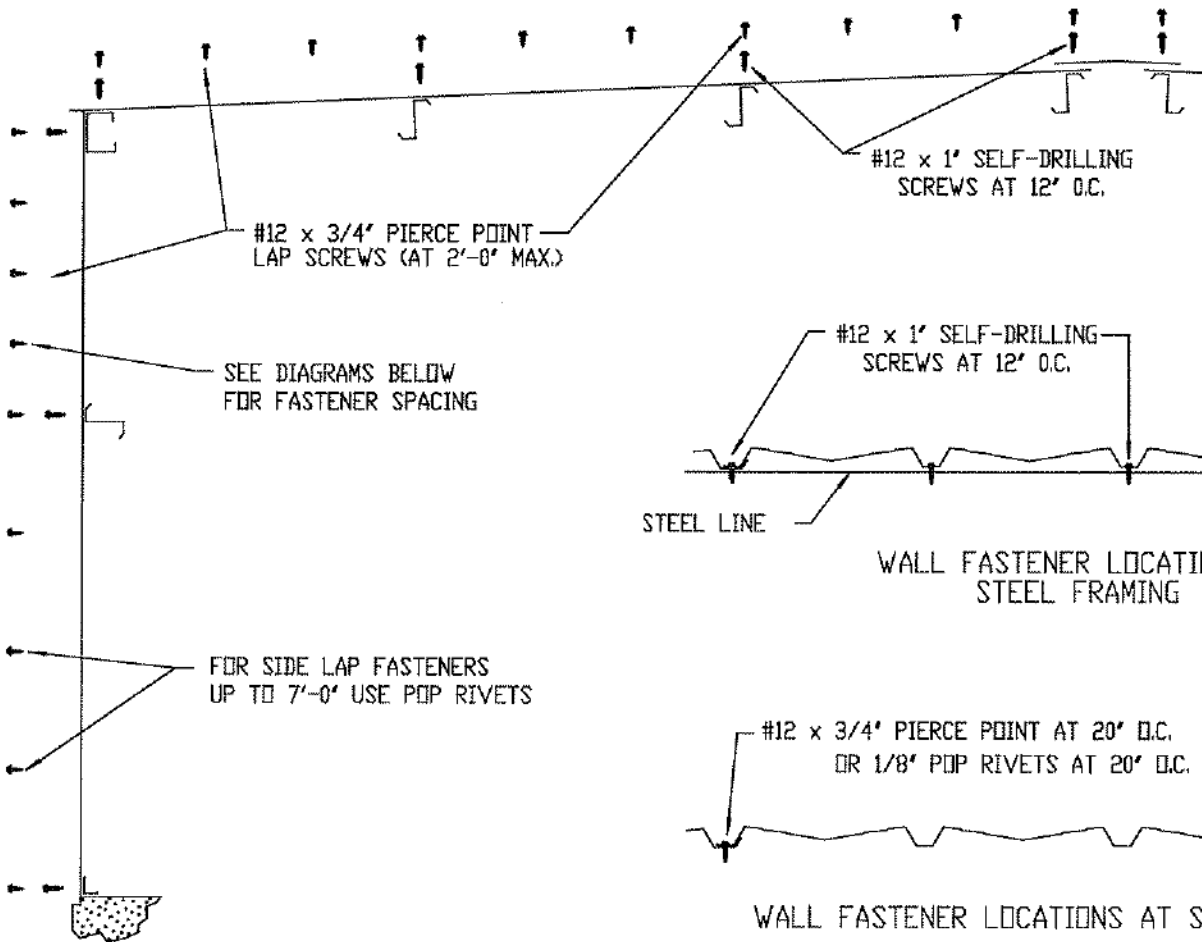
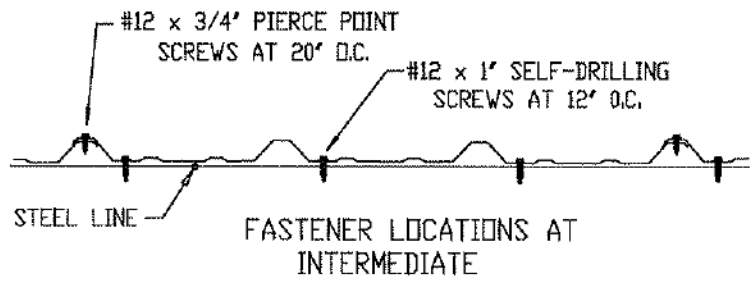
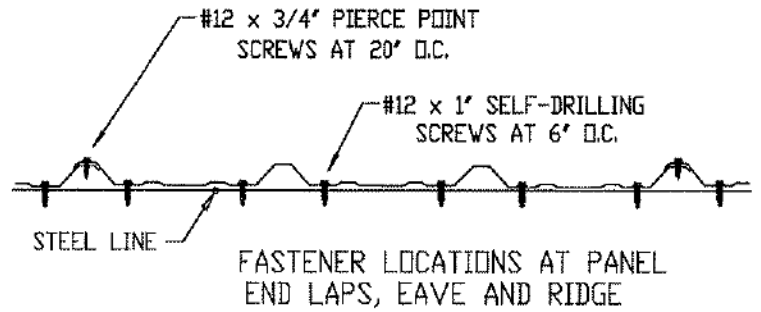
SEE DIAGRAMS BELOW
FOR FASTENER SPACING



ROOF AND WALL FASTENER LOCATIONS AT PANEL
BASE, EAVE, END LAPS AND RIDGE

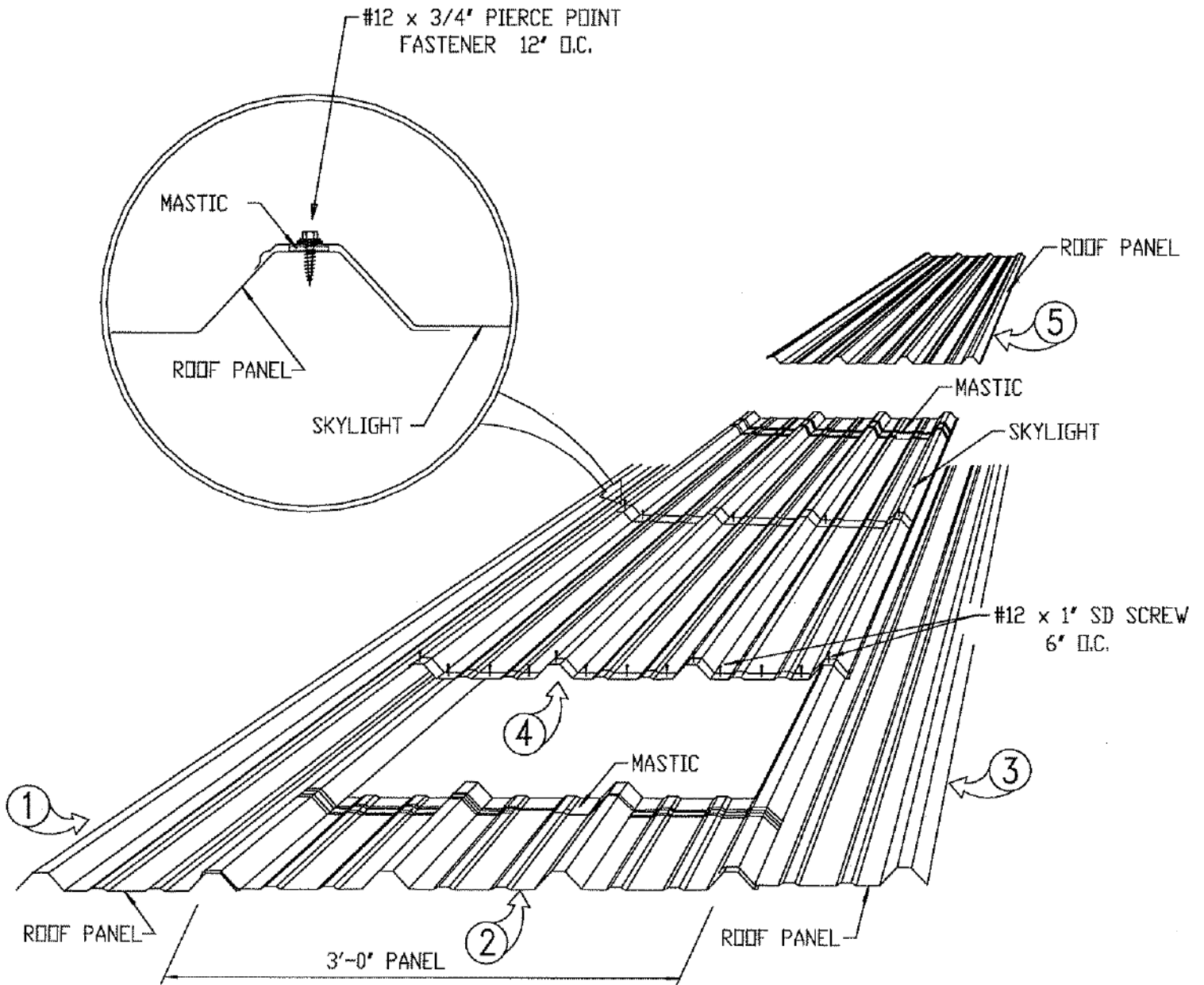


ROOF PANEL SIDE LAPS



WALL FASTENER LOCATIONS AT STEEL FRAMING

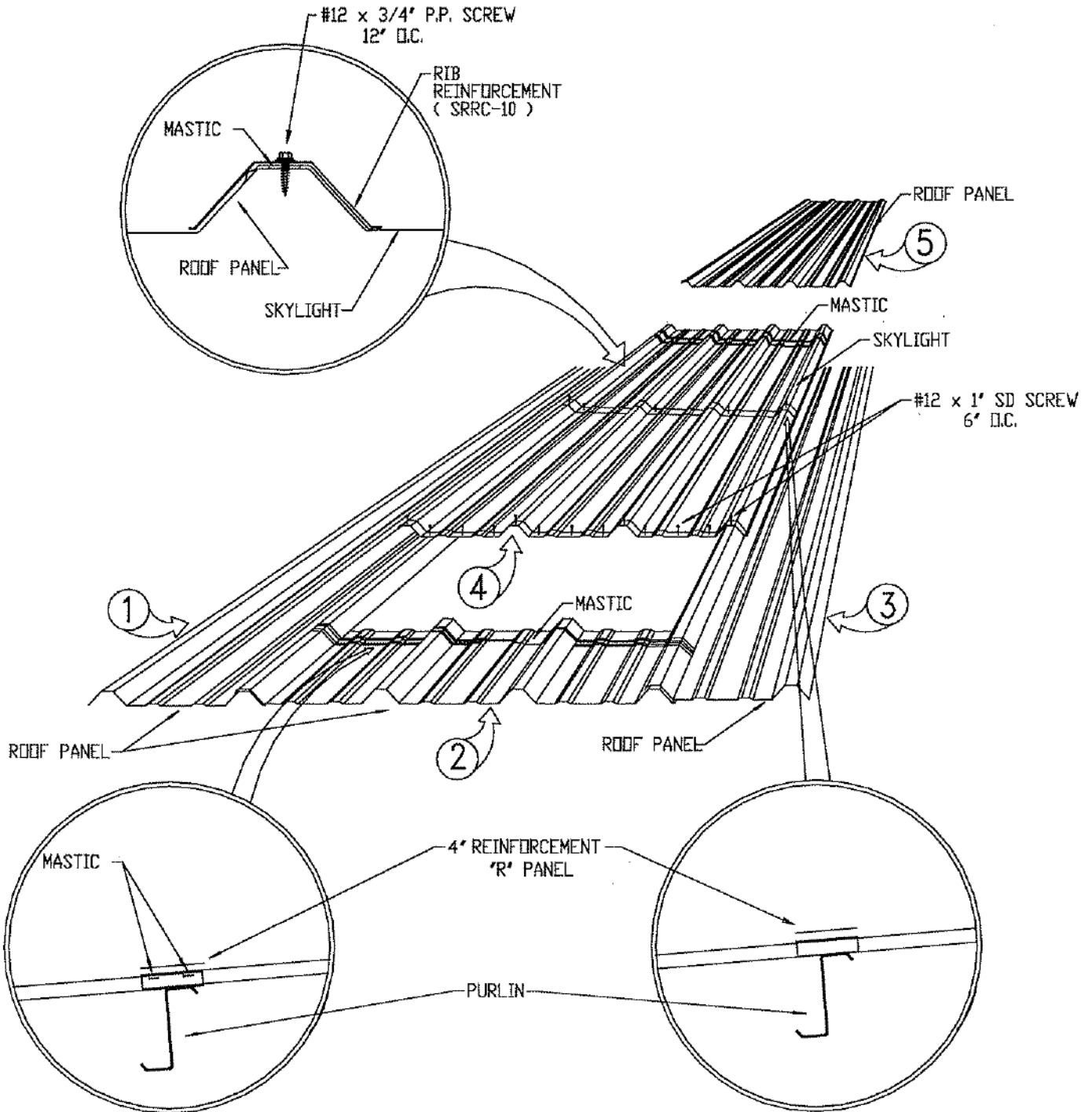
WALL FASTENER LOCATIONS AT SIDE LAPS



INSTALLATION SEQUENCE

(INSTALL SKYLIGHT IN ROOF PANELS IN SEQUENCE AS SHOWN)

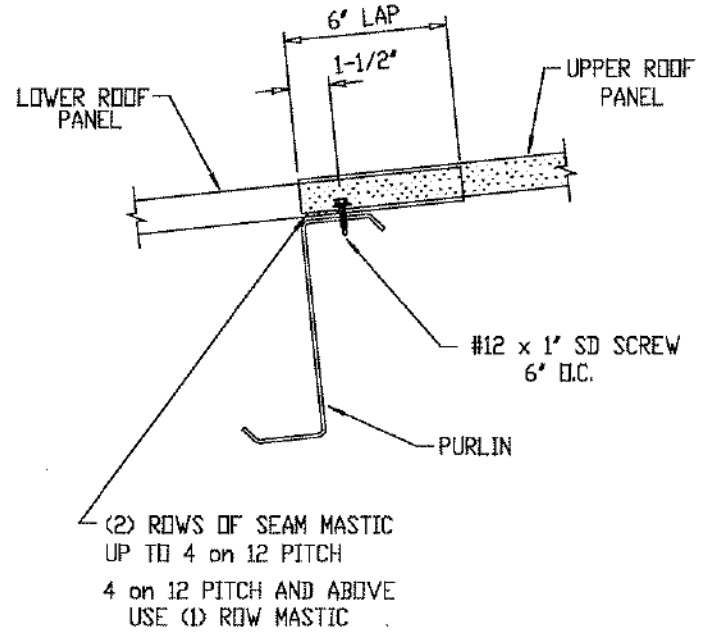
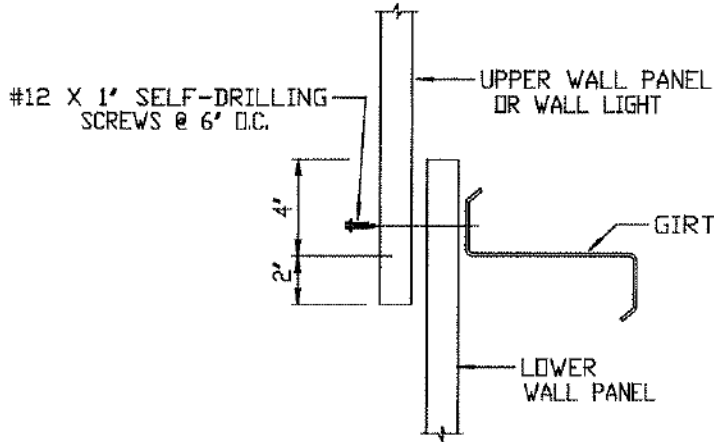
NOTE: SKYLIGHTS SHALL BE INSTALLED AS ROOF IS SHEETED. PROTECTIVE MEASURES SHOULD BE TAKEN TO PREVENT PERSONNEL FROM FALLING THROUGH SKYLIGHT. DO NOT WALK ON SKYLIGHT PANEL.



INSTALLATION SEQUENCE

(INSTALL SKYLIGHT IN ROOF PANELS IN SEQUENCE AS SHOWN)

NOTE: SKYLIGHTS SHALL BE INSTALLED AS ROOF IS SHEETED. PROTECTIVE MEASURES SHOULD BE TAKEN TO PREVENT PERSONNEL FROM FALLING THROUGH SKYLIGHT. DO NOT WALK ON SKYLIGHT PANEL.

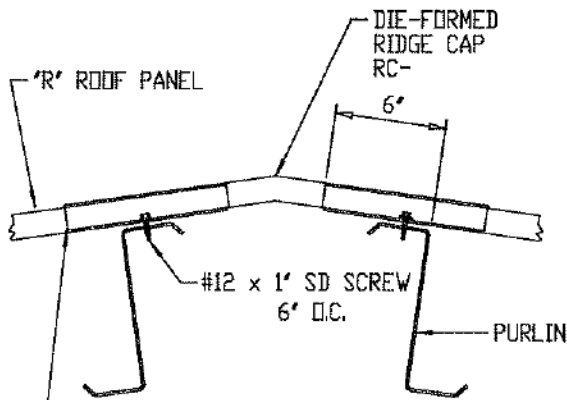


WALL

S-8-5A

ROOF

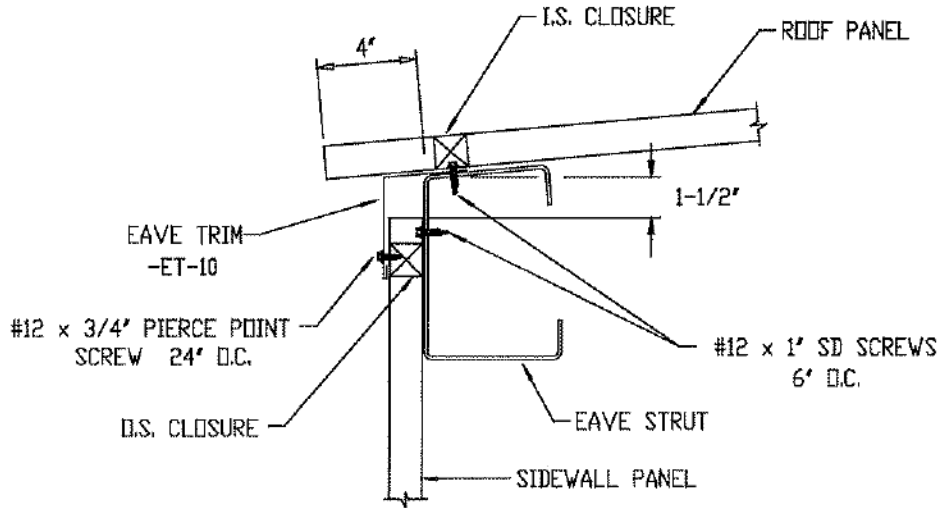
S-8-5B



(2) ROWS OF SEAM MASTIC UP TO 4 on 12 PITCH
4 on 12 PITCH AND ABOVE USE (1) ROW MASTIC

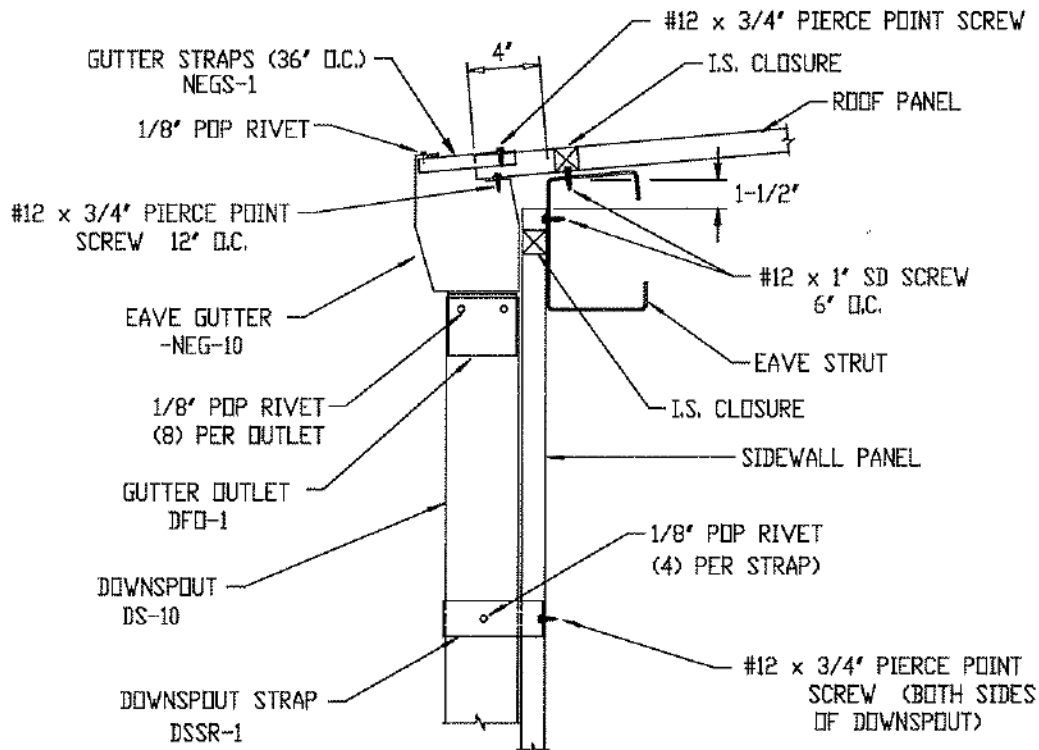
ROOF RIDGE

S-8-5C



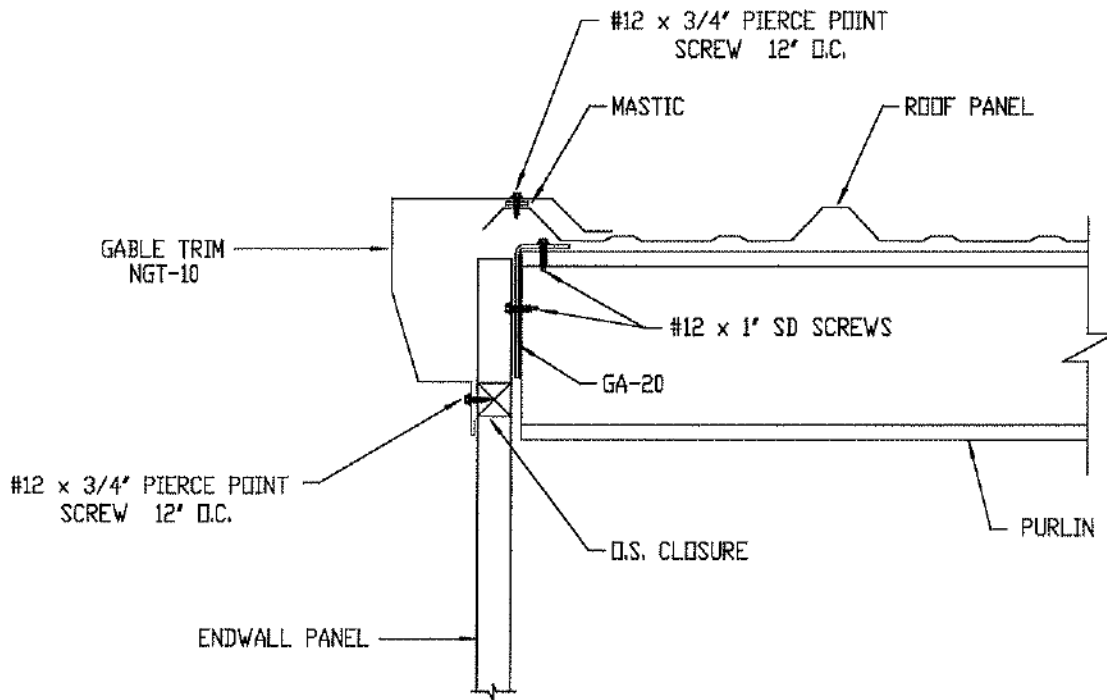
EAVE TRIM INSTALLATION

S-9-1A



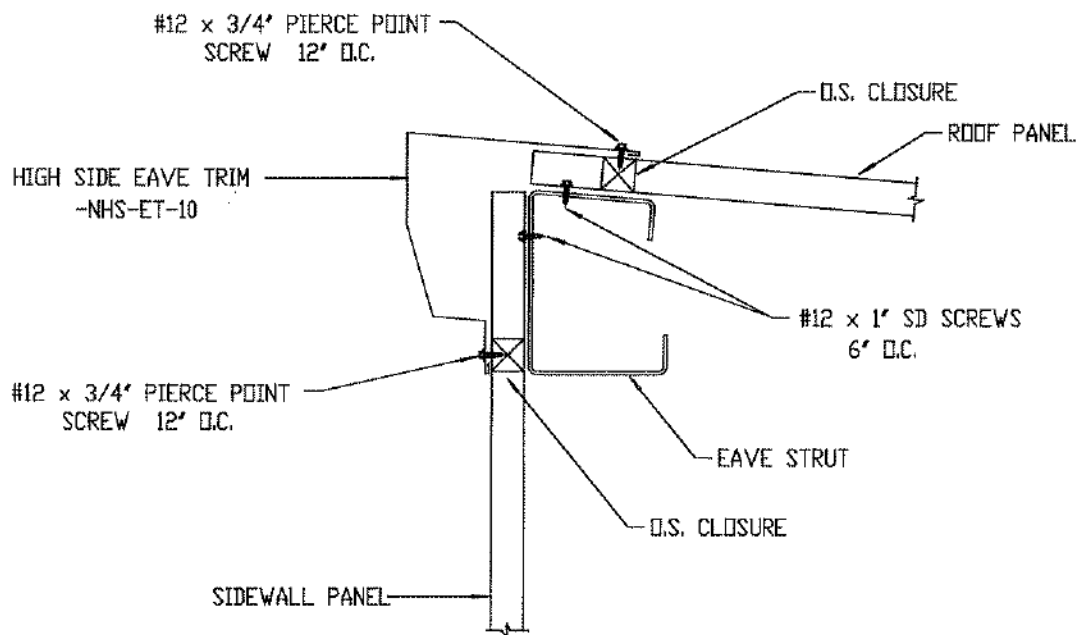
EAVE GUTTER INSTALLATION

NS-9-1B



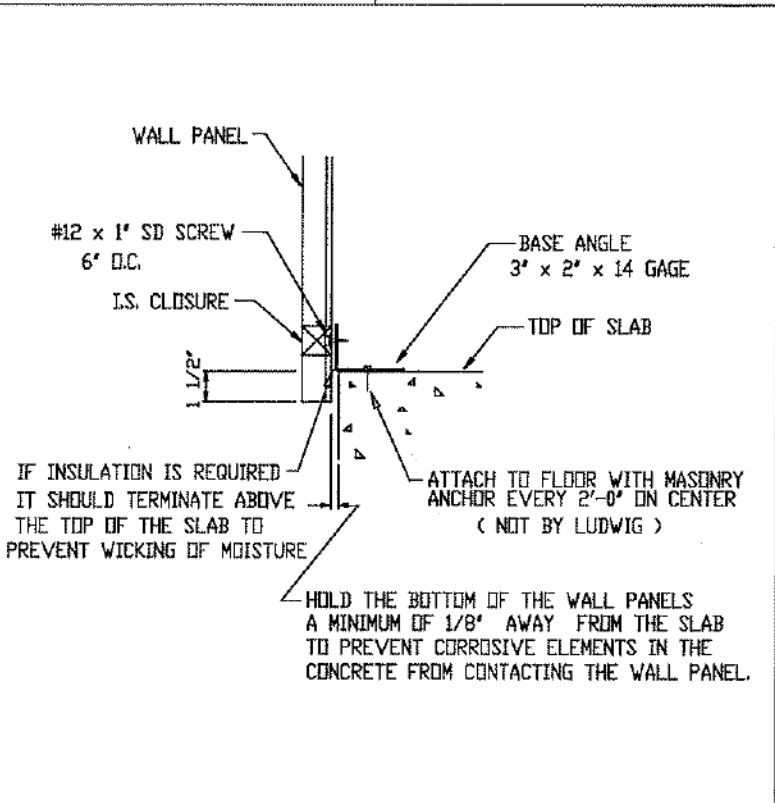
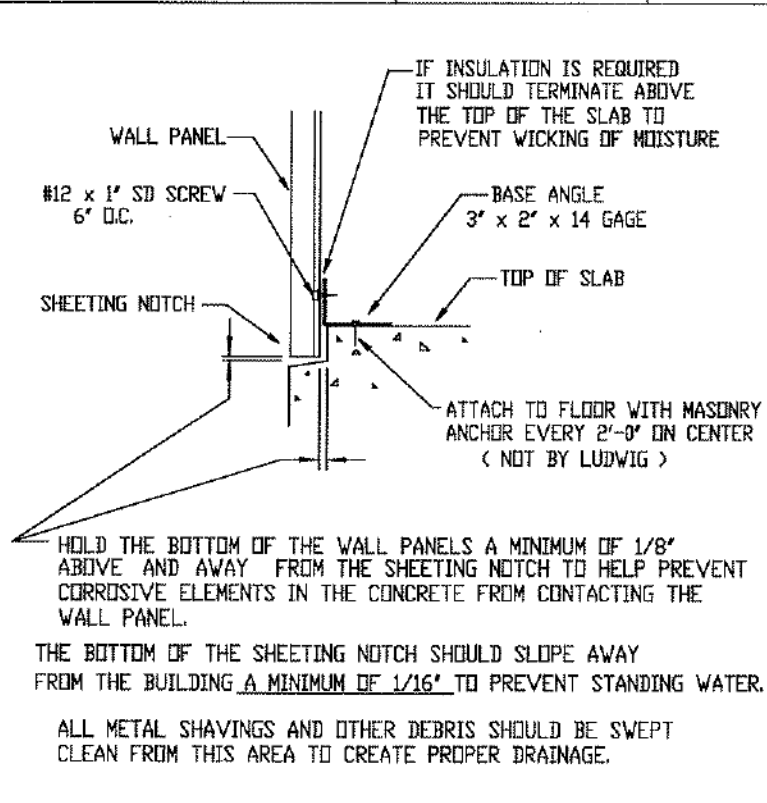
GABLE TRIM INSTALLATION

NS-9-2A



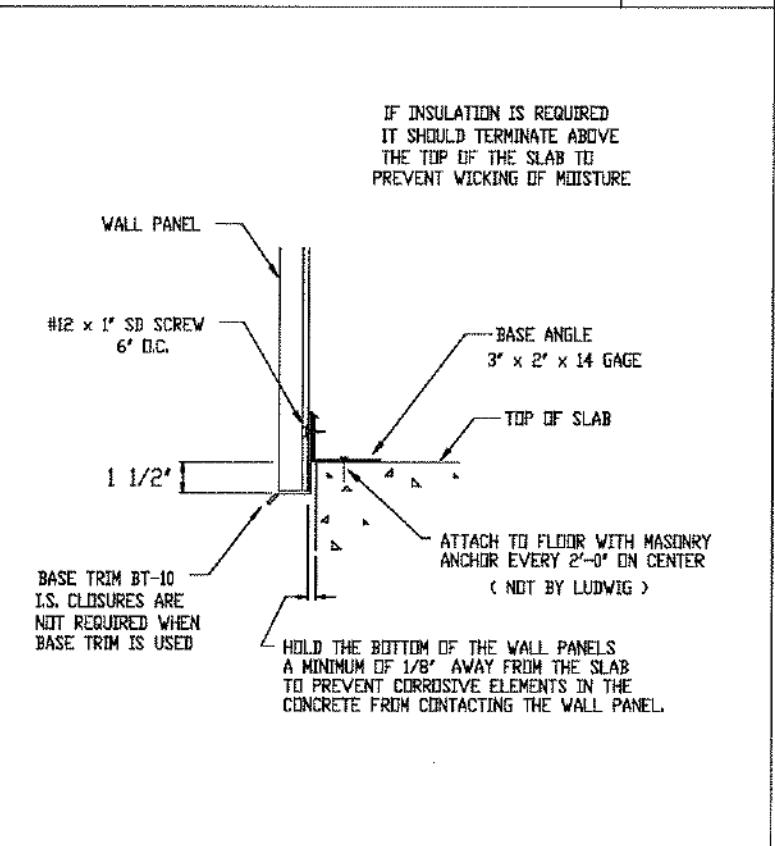
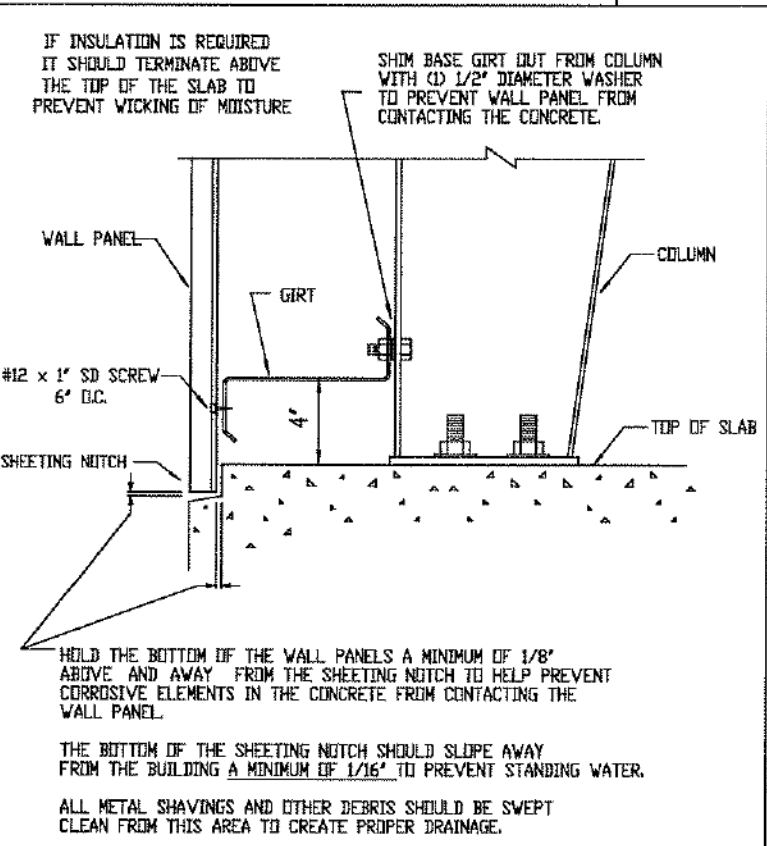
HIGH SIDE EDGE TRIM INSTALLATION

NS-9-2B



SHEETING NOTCH S-9-3A

WITHOUT SHEETING NOTCH S-9-3B

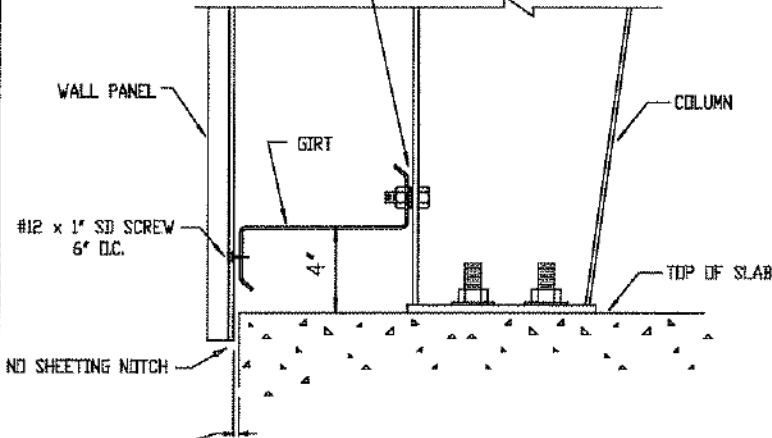


BASE GIRT W/ NOTCH S-9-3C

BASE TRIM W/ NO NOTCH S-9-3D

IF INSULATION IS REQUIRED IT SHOULD TERMINATE ABOVE THE TOP OF THE SLAB TO PREVENT WICKING OF MOISTURE

SHIM BASE GIRT OUT FROM COLUMN WITH (D) 1/2" DIAMETER WASHER TO PREVENT WALL PANEL FROM CONTACTING THE CONCRETE.



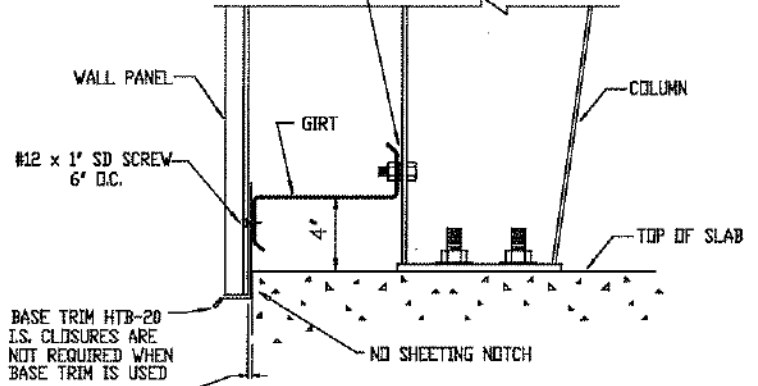
HOLD THE BOTTOM OF THE WALL PANELS A MINIMUM OF 1/8" ABOVE AND AWAY FROM THE SHEETING NOTCH TO HELP PREVENT CORROSIVE ELEMENTS IN THE CONCRETE FROM CONTACTING THE WALL PANEL.

THE BOTTOM OF THE SHEETING NOTCH SHOULD SLOPE AWAY FROM THE BUILDING A MINIMUM OF 1/16" TO PREVENT STANDING WATER.

ALL METAL SHAVINGS AND OTHER DEBRIS SHOULD BE SWEEP CLEAN FROM THIS AREA TO CREATE PROPER DRAINAGE.

IF INSULATION IS REQUIRED IT SHOULD TERMINATE ABOVE THE TOP OF THE SLAB TO PREVENT WICKING OF MOISTURE

SHIM BASE GIRT OUT FROM COLUMN WITH (D) 1/2" DIAMETER WASHER TO PREVENT WALL PANEL FROM CONTACTING THE CONCRETE.



HOLD THE BOTTOM OF THE WALL PANELS A MINIMUM OF 1/8" ABOVE AND AWAY FROM THE SHEETING NOTCH TO HELP PREVENT CORROSIVE ELEMENTS IN THE CONCRETE FROM CONTACTING THE WALL PANEL.

THE BOTTOM OF THE SHEETING NOTCH SHOULD SLOPE AWAY FROM THE BUILDING A MINIMUM OF 1/16" TO PREVENT STANDING WATER.

ALL METAL SHAVINGS AND OTHER DEBRIS SHOULD BE SWEEP CLEAN FROM THIS AREA TO CREATE PROPER DRAINAGE.

BASE GIRT / NO NOTCH

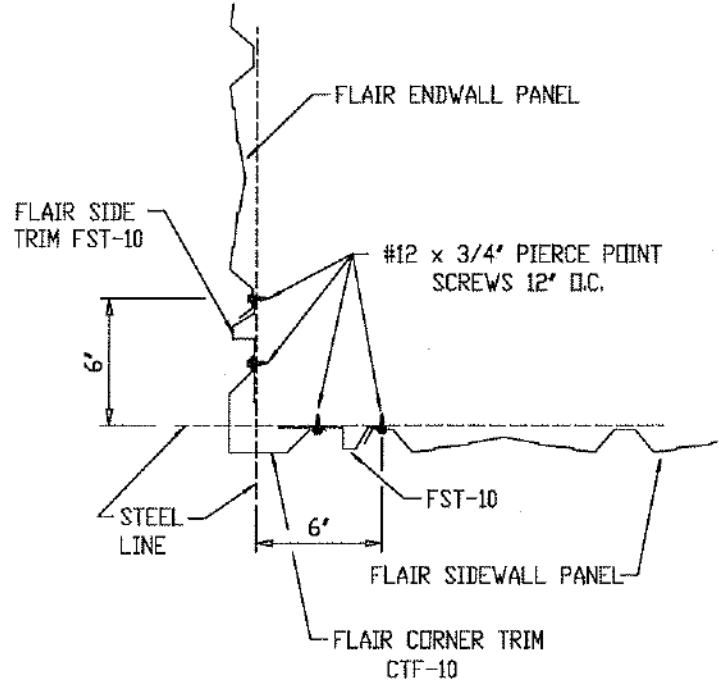
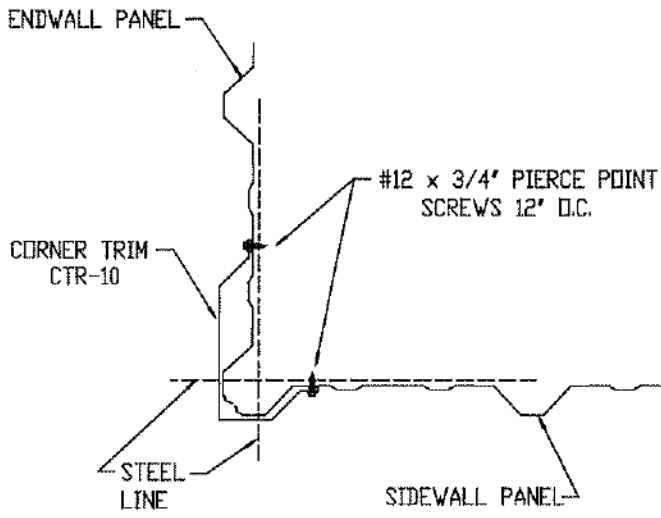
S-9-4A

BASE GIRT & TRIM W/ NO NOTCH

S-9-4B



TRIM DETAILS
(CORNER TRIM)

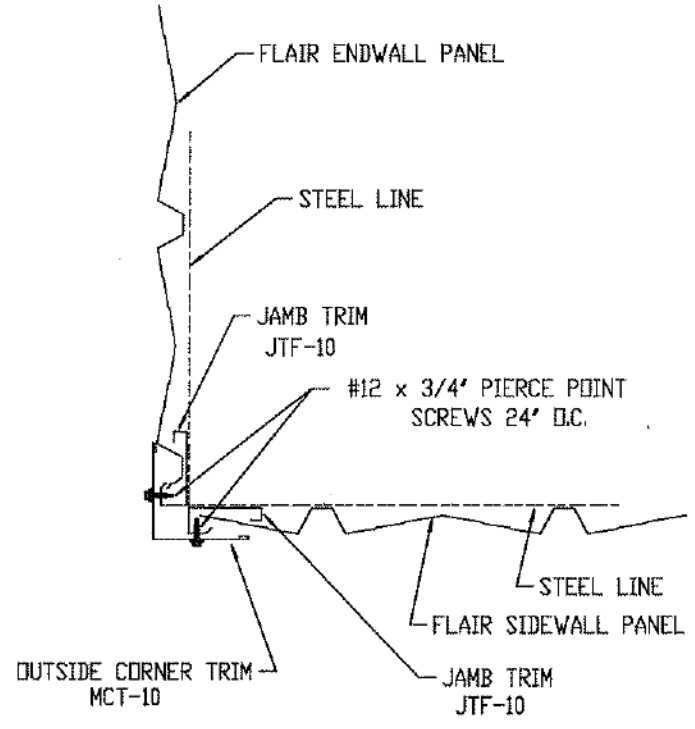
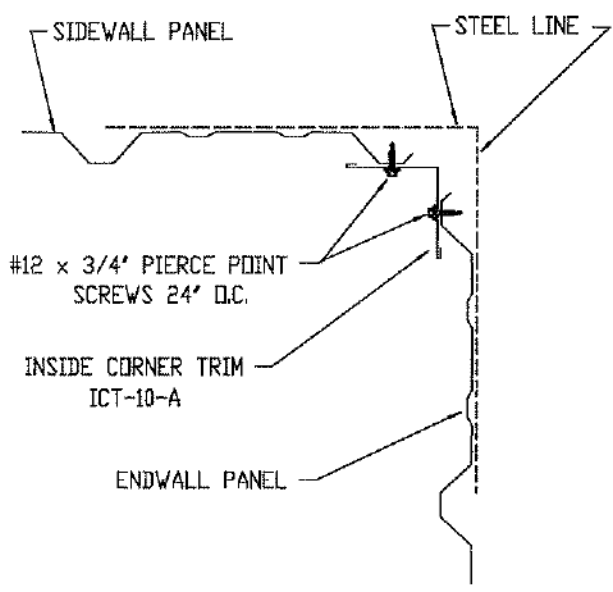


'R' PANEL

S-9-5A

FLAIR PANEL

S-9-5B



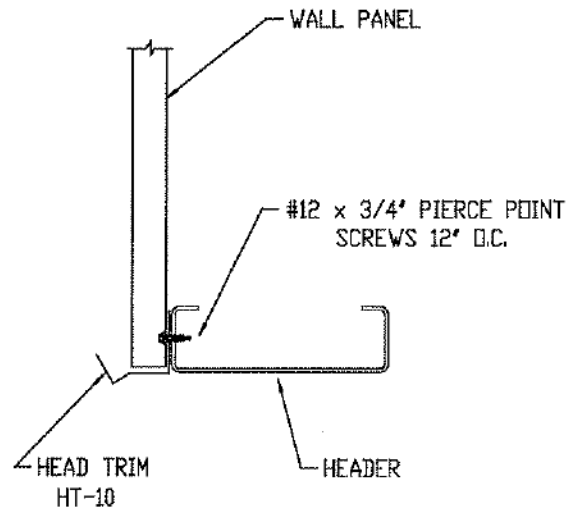
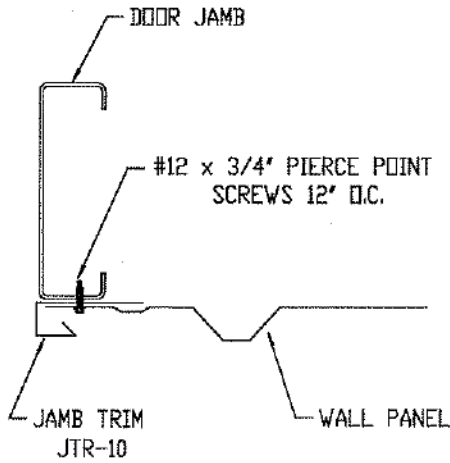
INSIDE CORNER

S-9-5C

FLAIR PANEL

S-9-5D

(FRAMED OPENINGS
AND OPEN WALLS)

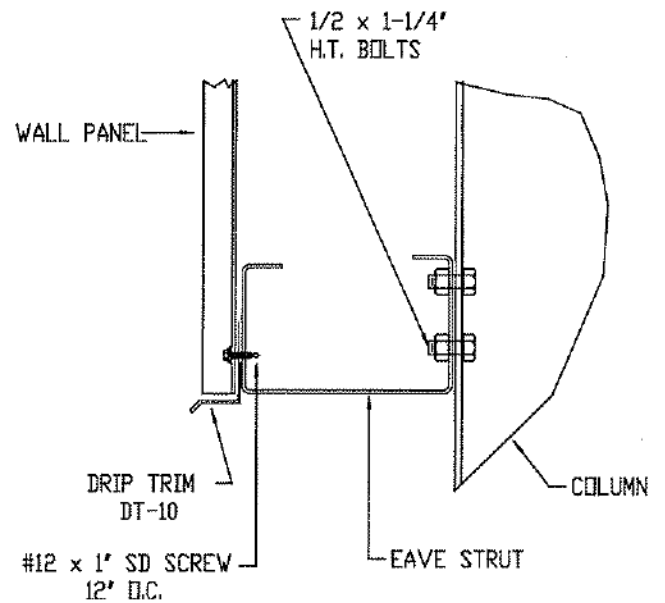
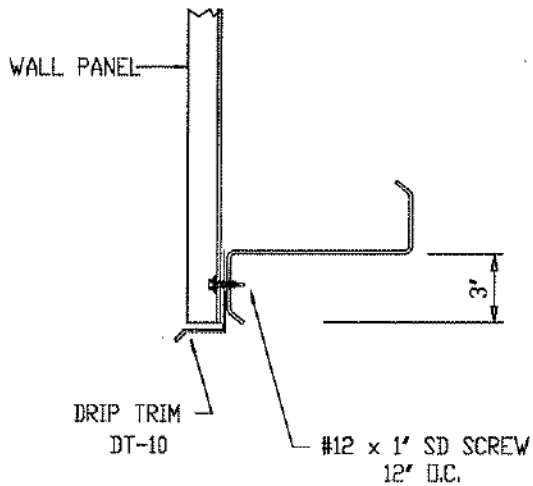


JAMB TRIM AT "R" PANEL

S-9-6A

HEAD TRIM

S-9-6B

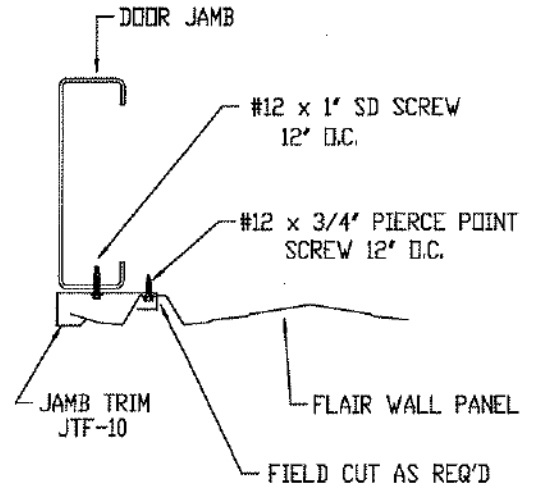
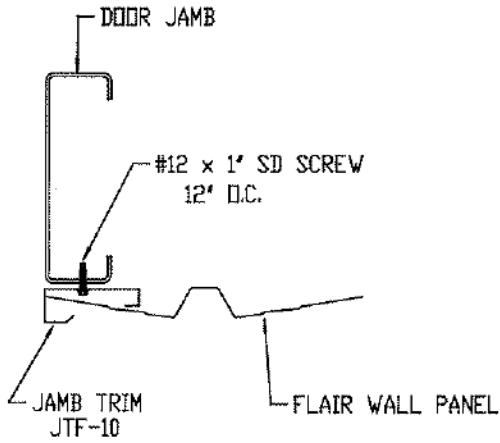


GIRT AT OPEN WALL

S-9-6C

EAVE STRUT AT OPEN WALL

S-9-6D

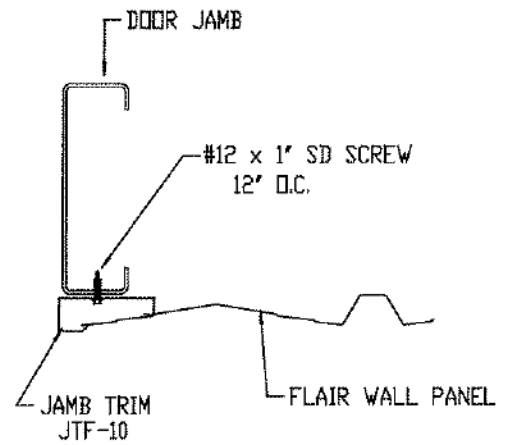
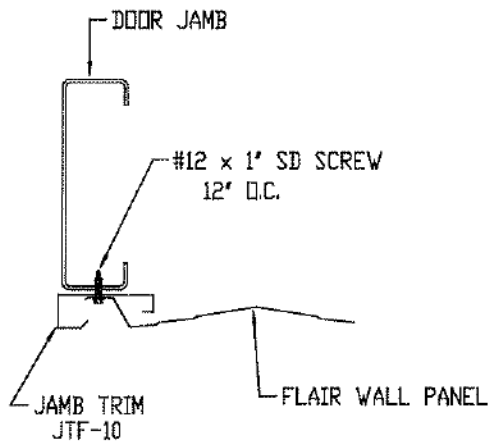


FLAIR PANEL

S-9-7A

FLAIR PANEL

S-9-7B

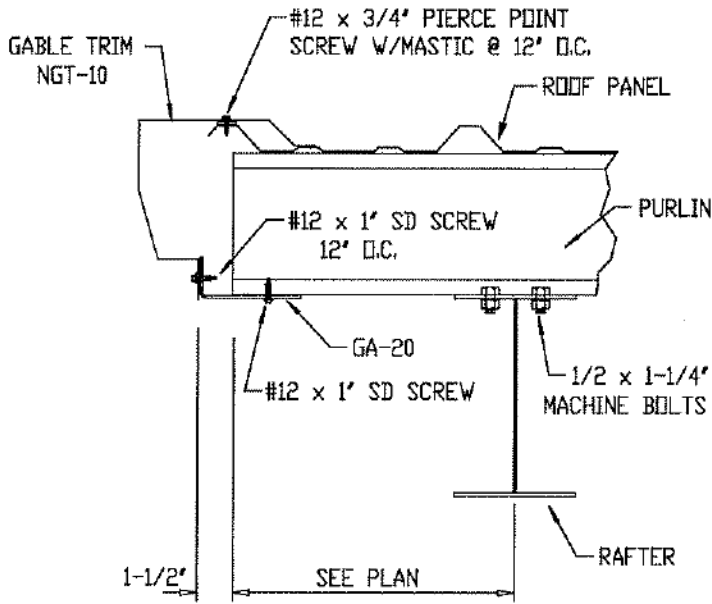


FLAIR PANEL

S-9-7C

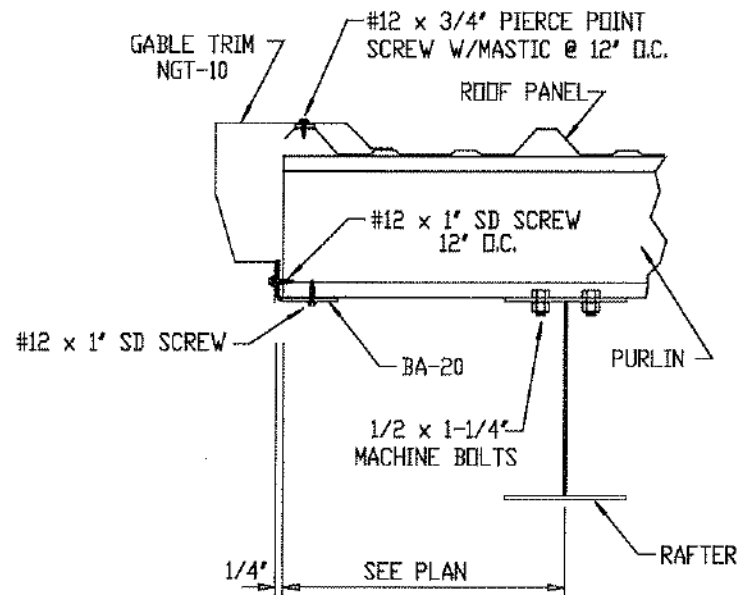
FLAIR PANEL

S-9-7D



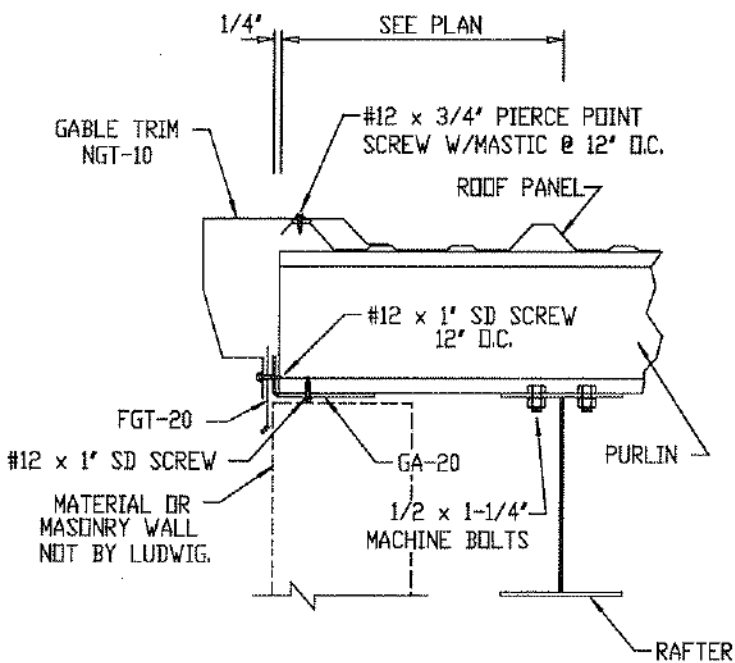
GABLE TRIM

S-9-8A



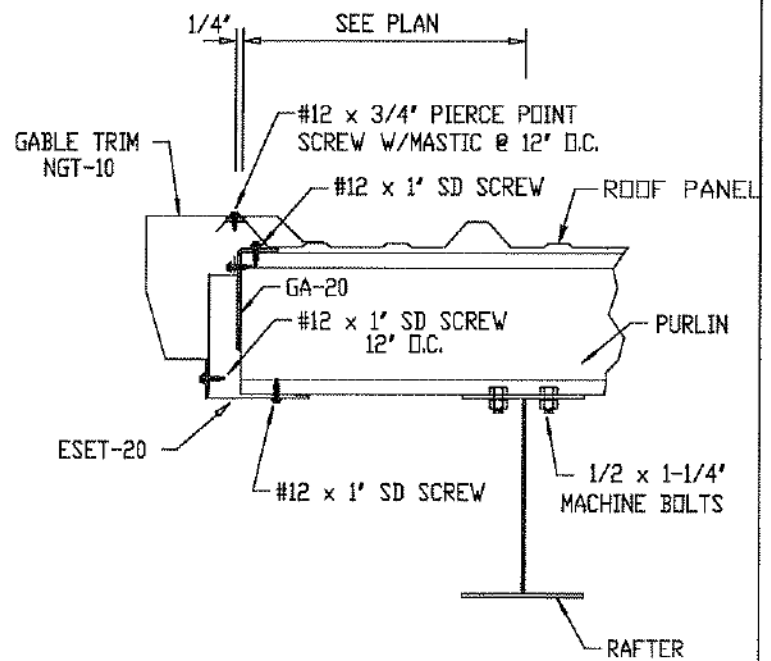
GABLE TRIM

S-9-8B



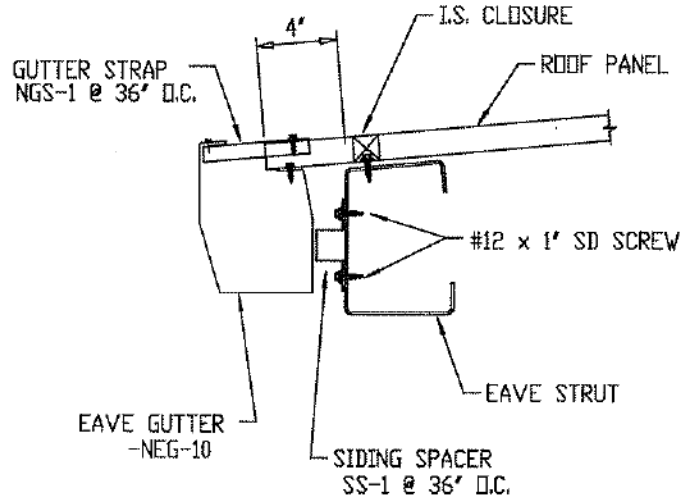
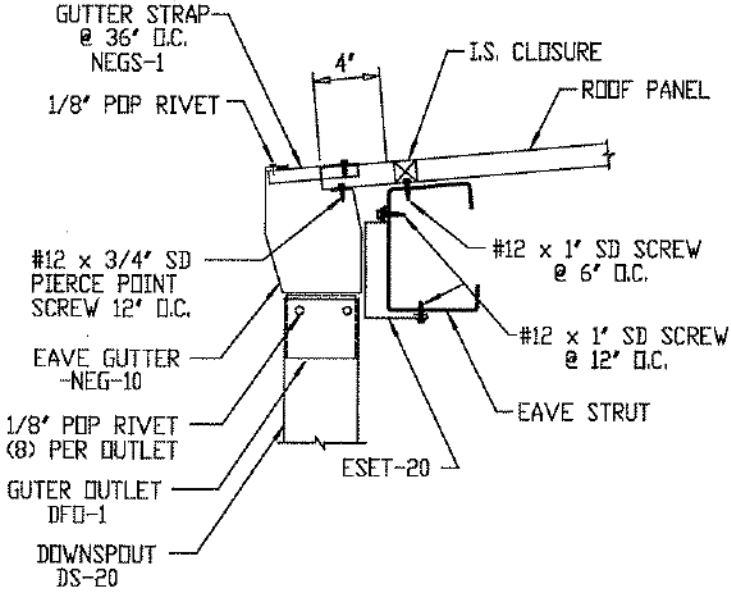
GABLE TRIM

S-9-8C



GABLE TRIM

S-9-8D

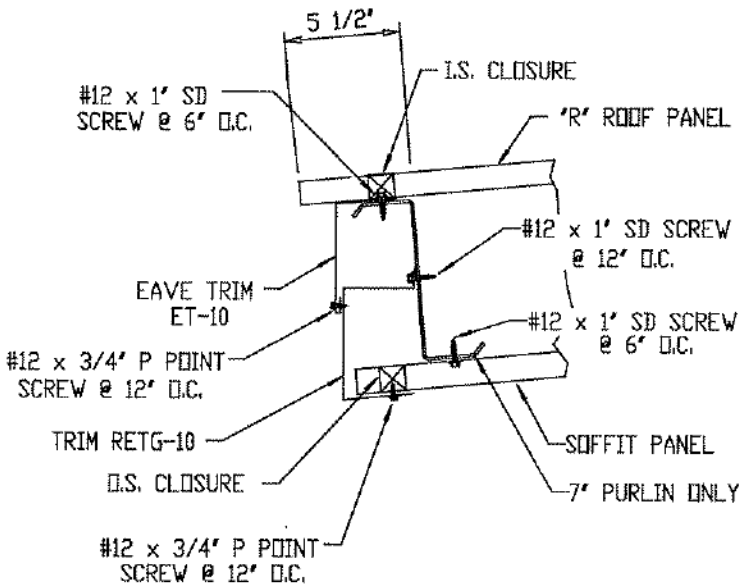


EAVE GUTTER

S-9-9A

EAVE GUTTER

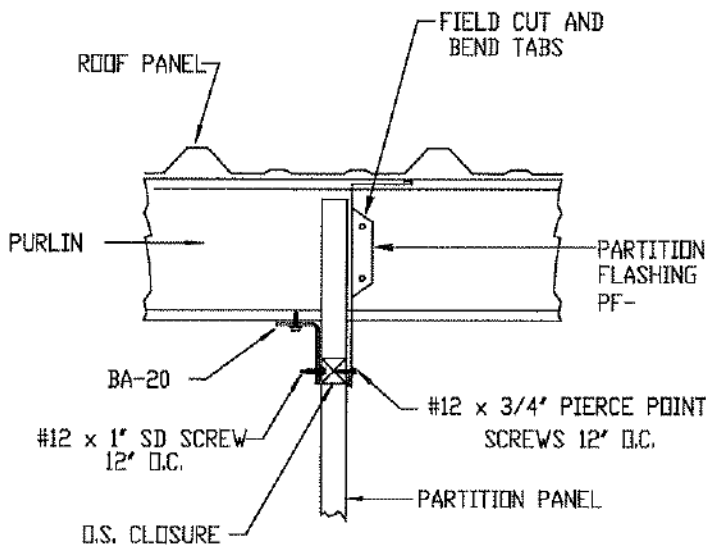
S-9-9B



7" PURLIN ONLY

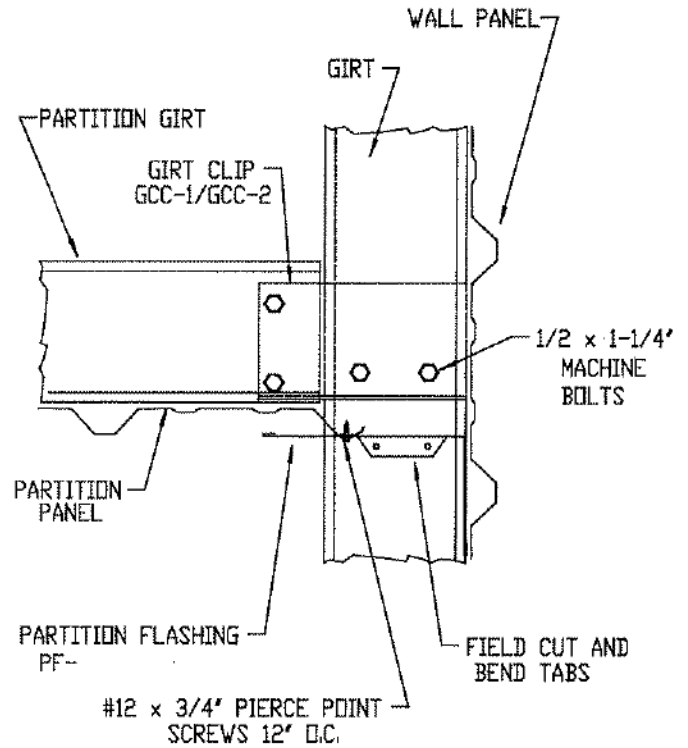
EAVE TRIM

S-9-9C



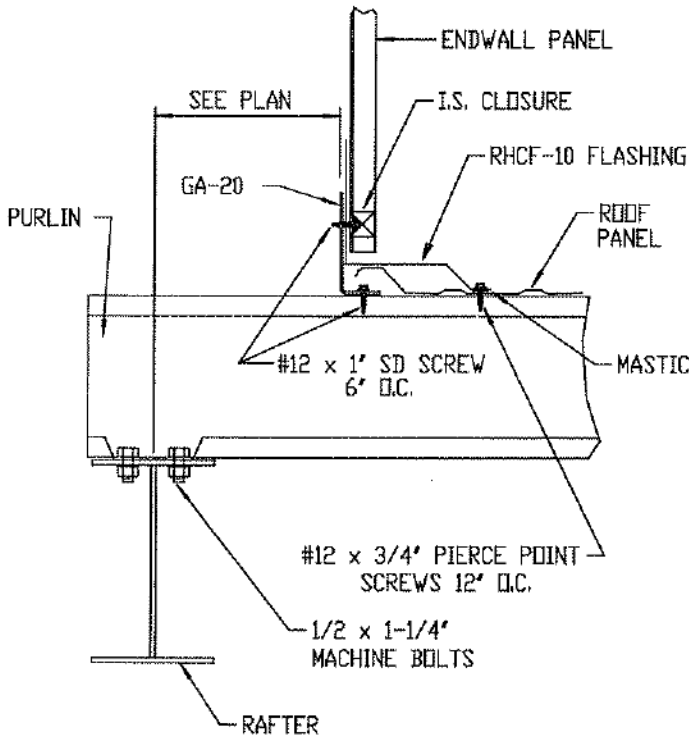
PARTITION TRIM AT PURLIN

S-9-10A



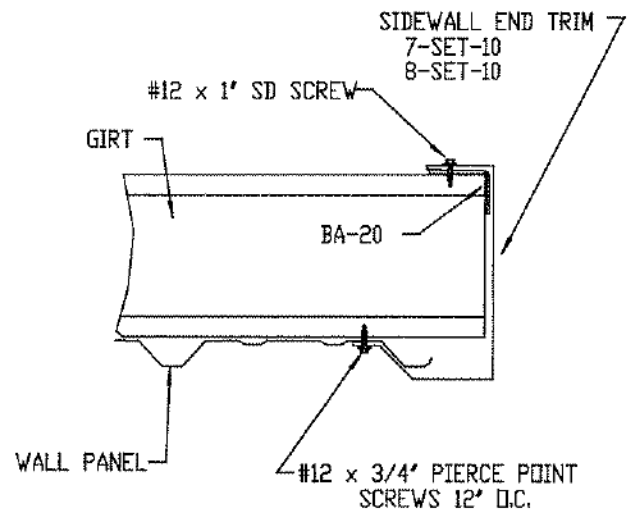
PARTITION TRIM AT GIRT

S-9-10B



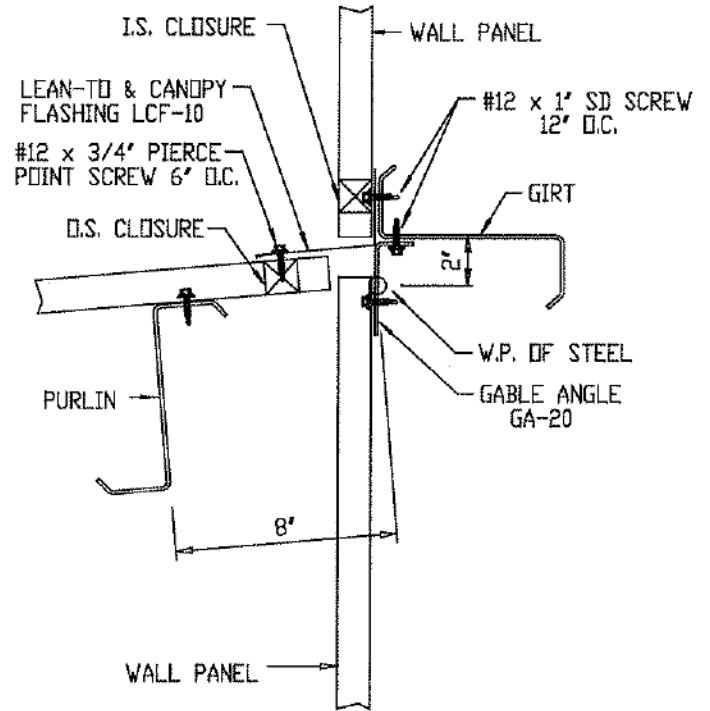
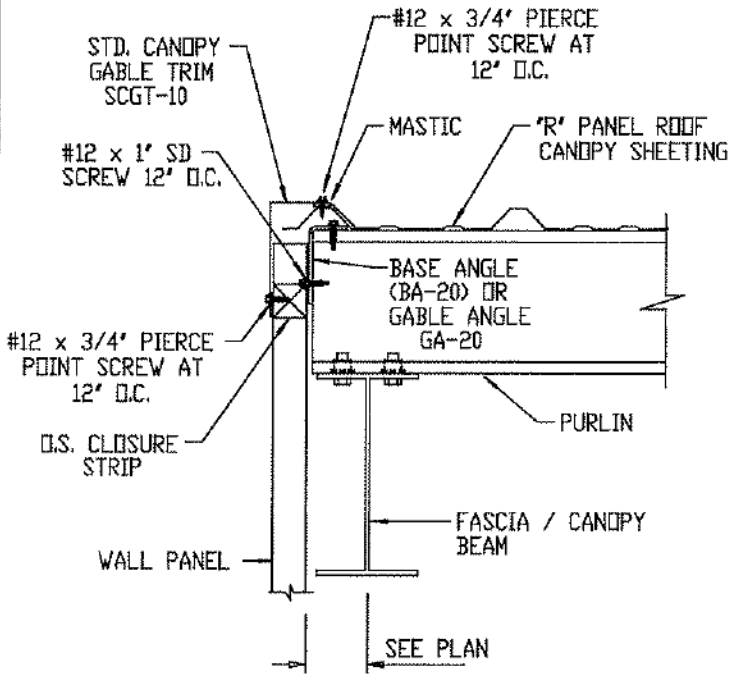
ROOF HEIGHT CHANGE

S-9-10C



SIDEWALL END TRIM

S-9-10D

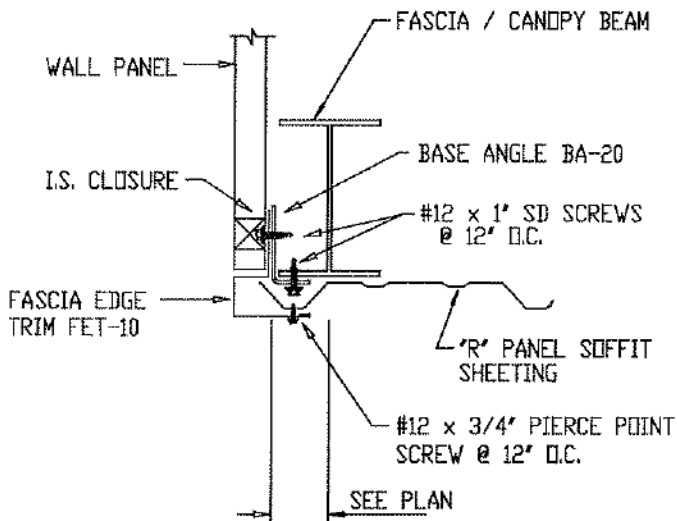


FASCIA / CANOPY TRIM

S-9-11A

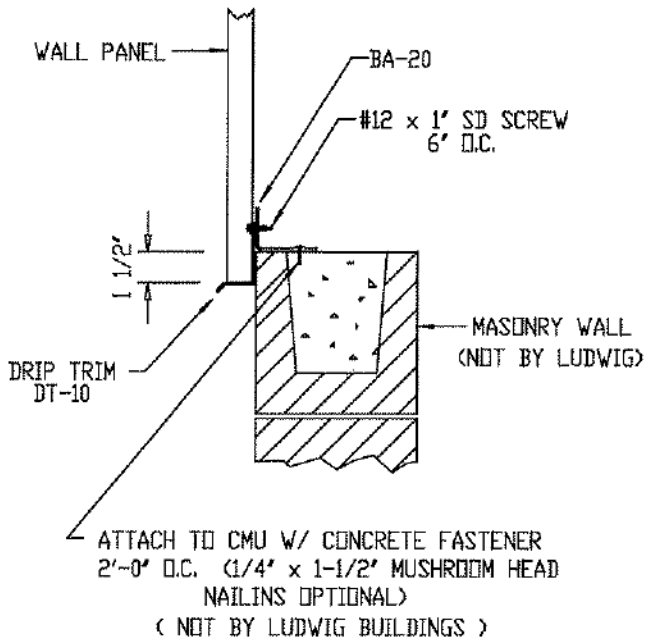
ROOF TO WALL TRANSITION

S-9-11B



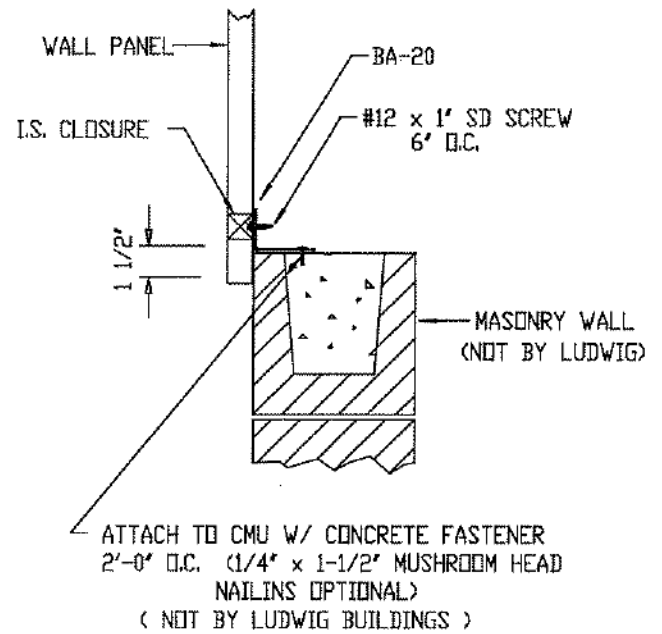
FASCIA / CANOPY TRIM

S-9-11C



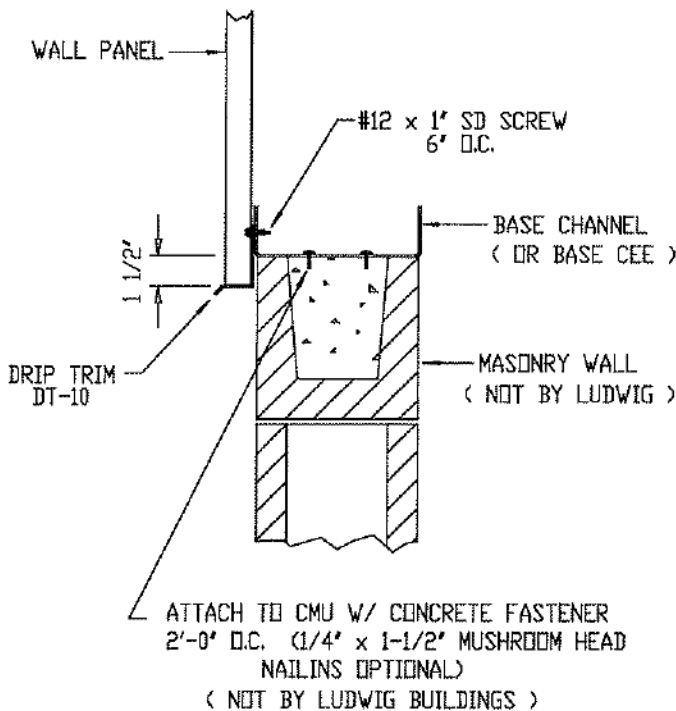
LEDGE WITH DRIP TRIM

S-9-12A



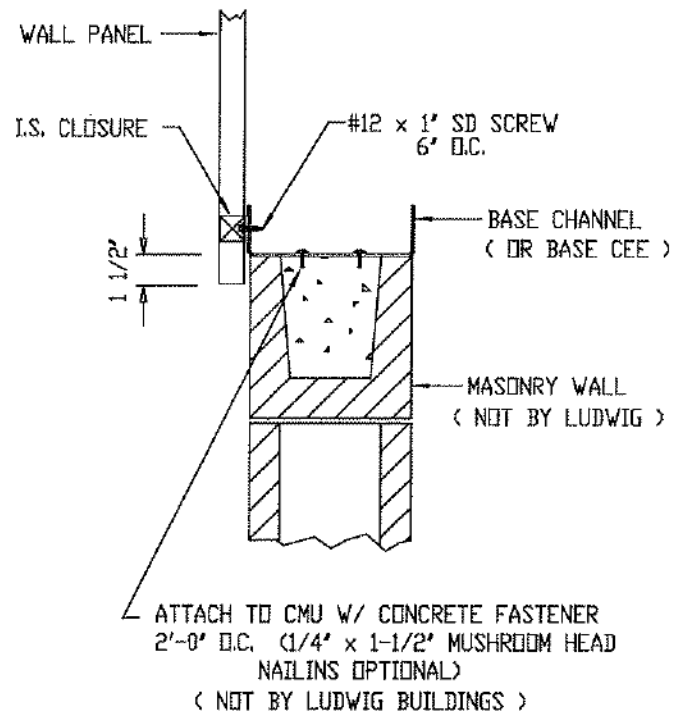
LEDGE

S-9-12B



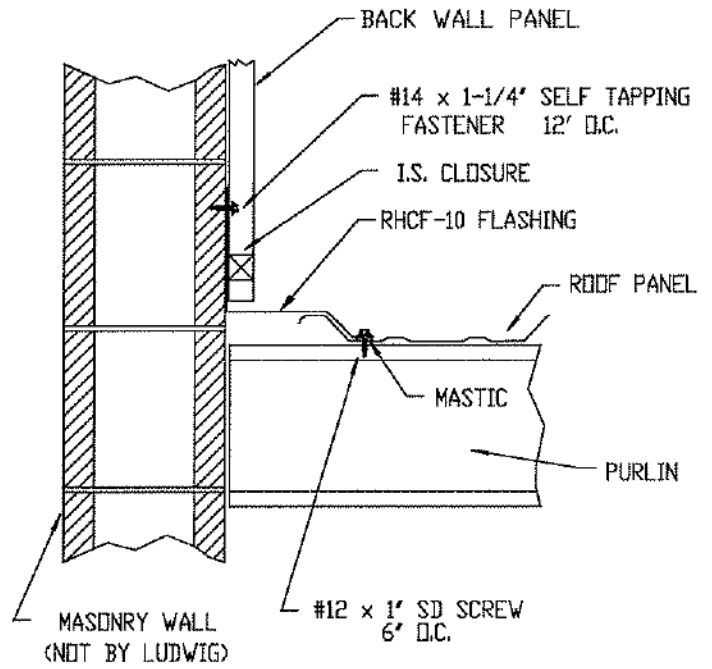
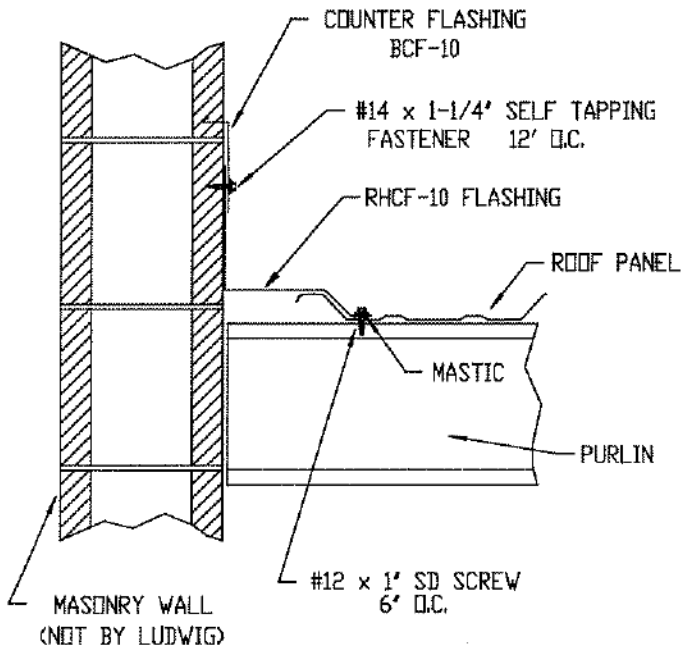
LEDGE WITH DRIP TRIM

S-9-12C



LEDGE

S-9-12D

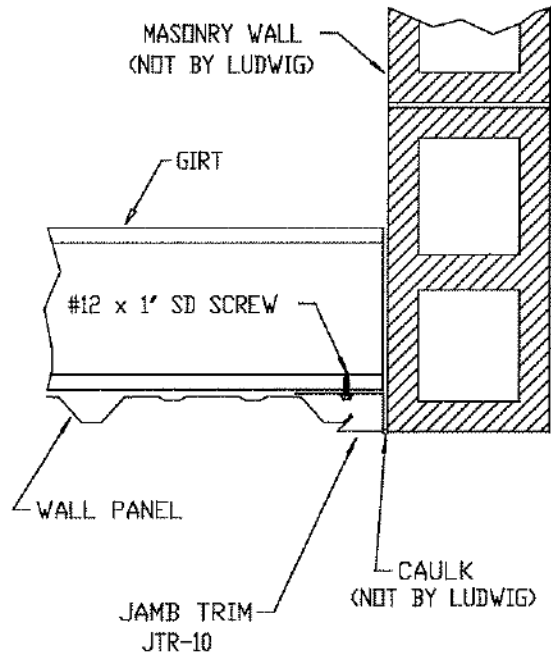
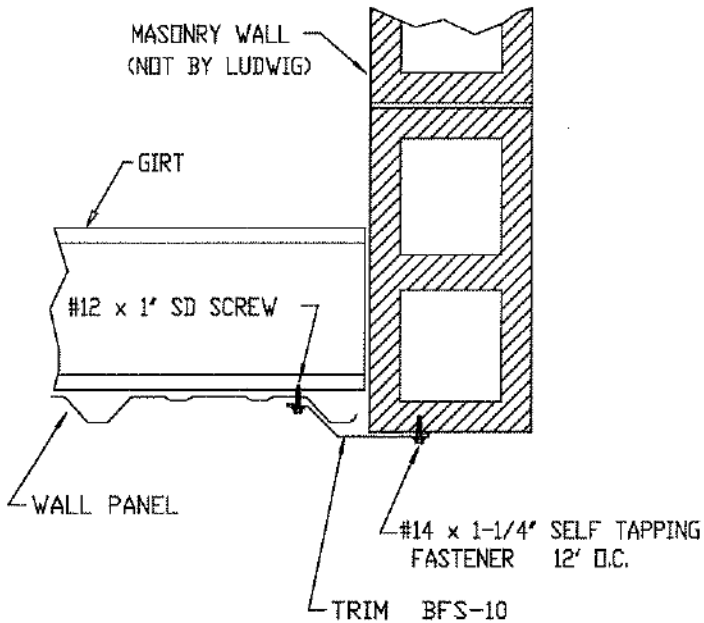


MASONRY WALL PARAPET

S-9-13A

SHEETED MASONRY WALL PARAPET

S-9-13B

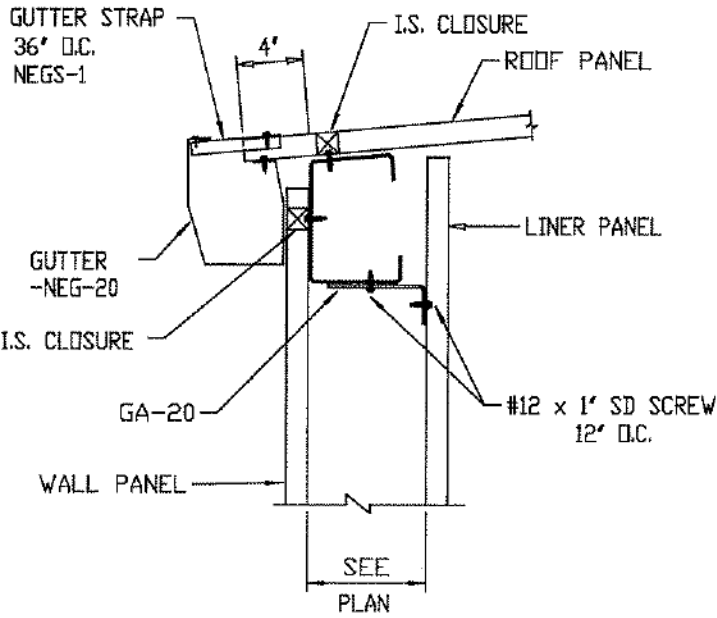


WALL SHEETING TO MASONRY WALL

S-9-13C

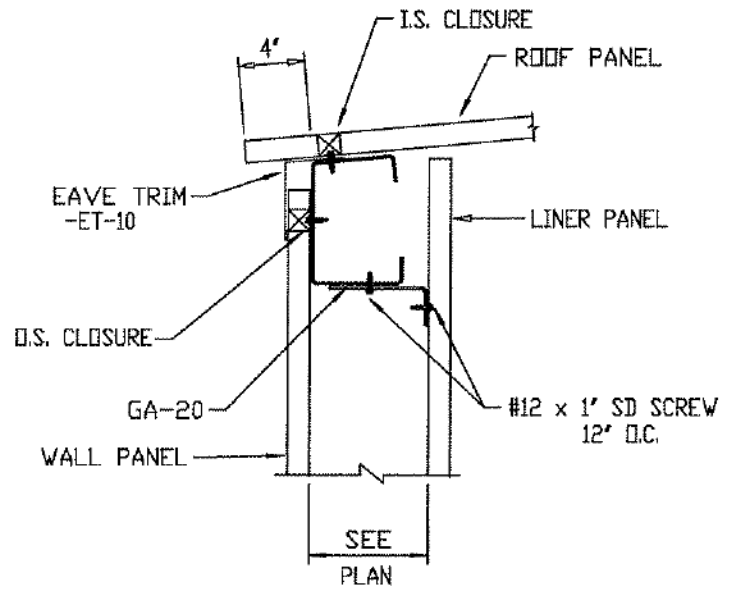
WALL SHEETING TO MASONRY WALL

S-9-13D



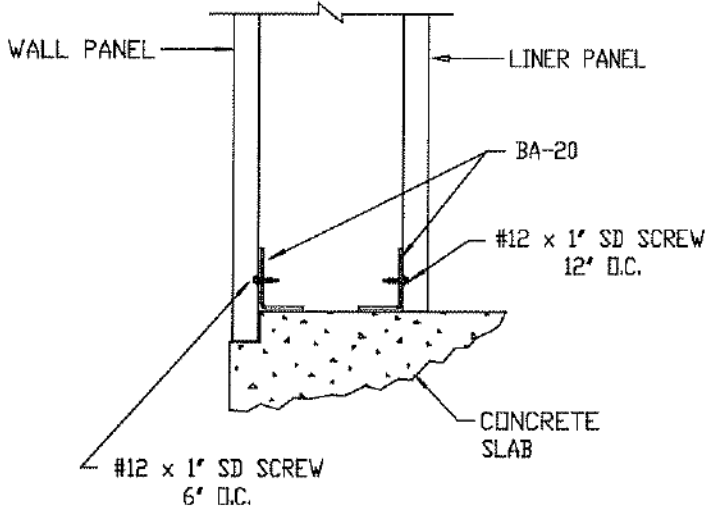
AT EAVE W/ GUTTER

S-9-14A



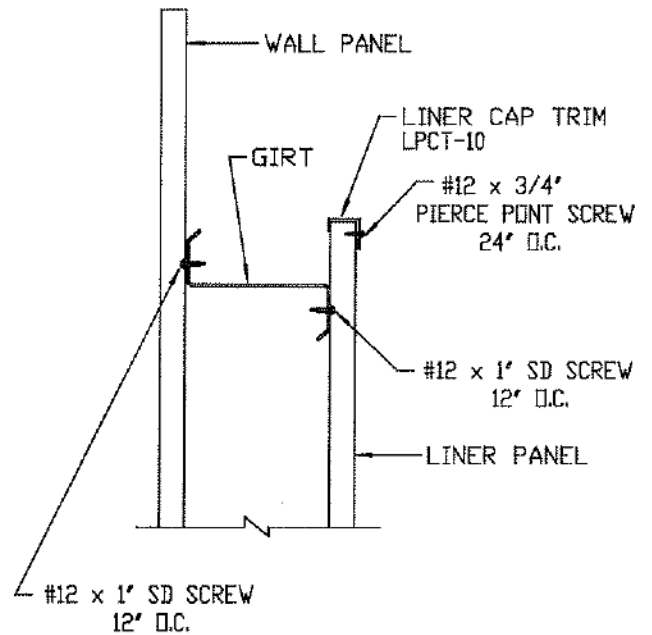
AT EAVE WITH TRIM

S-9-14B



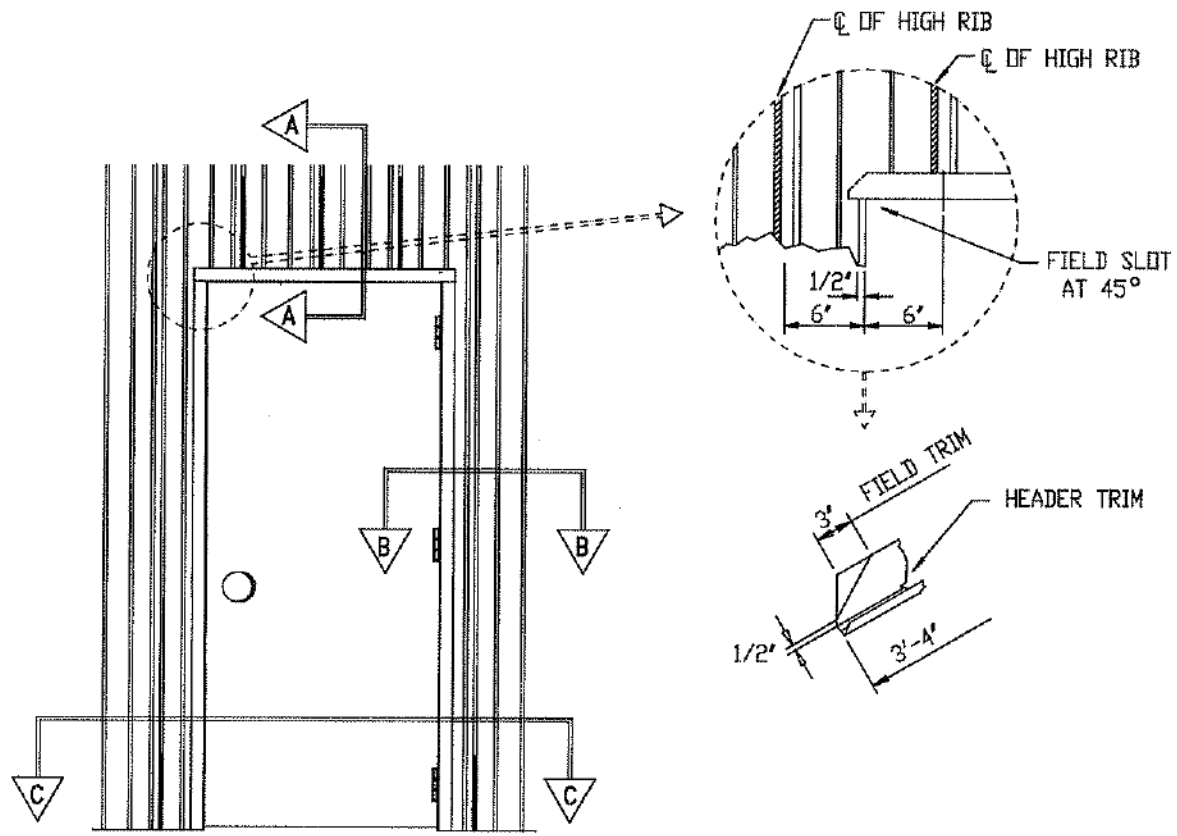
BASE

S-9-14C

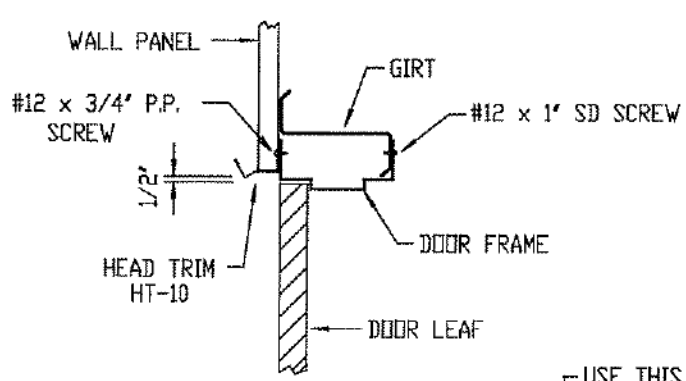


CAP TRIM

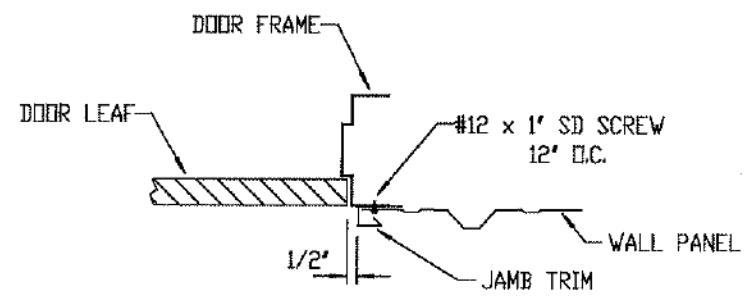
S-9-14D



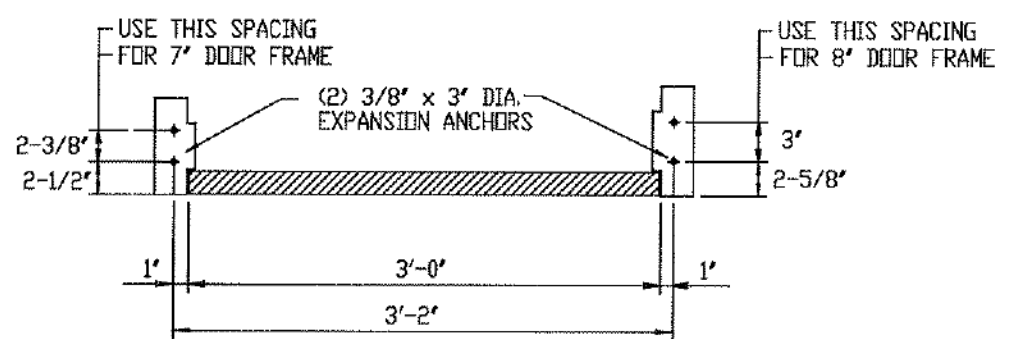
DOOR ELEVATION



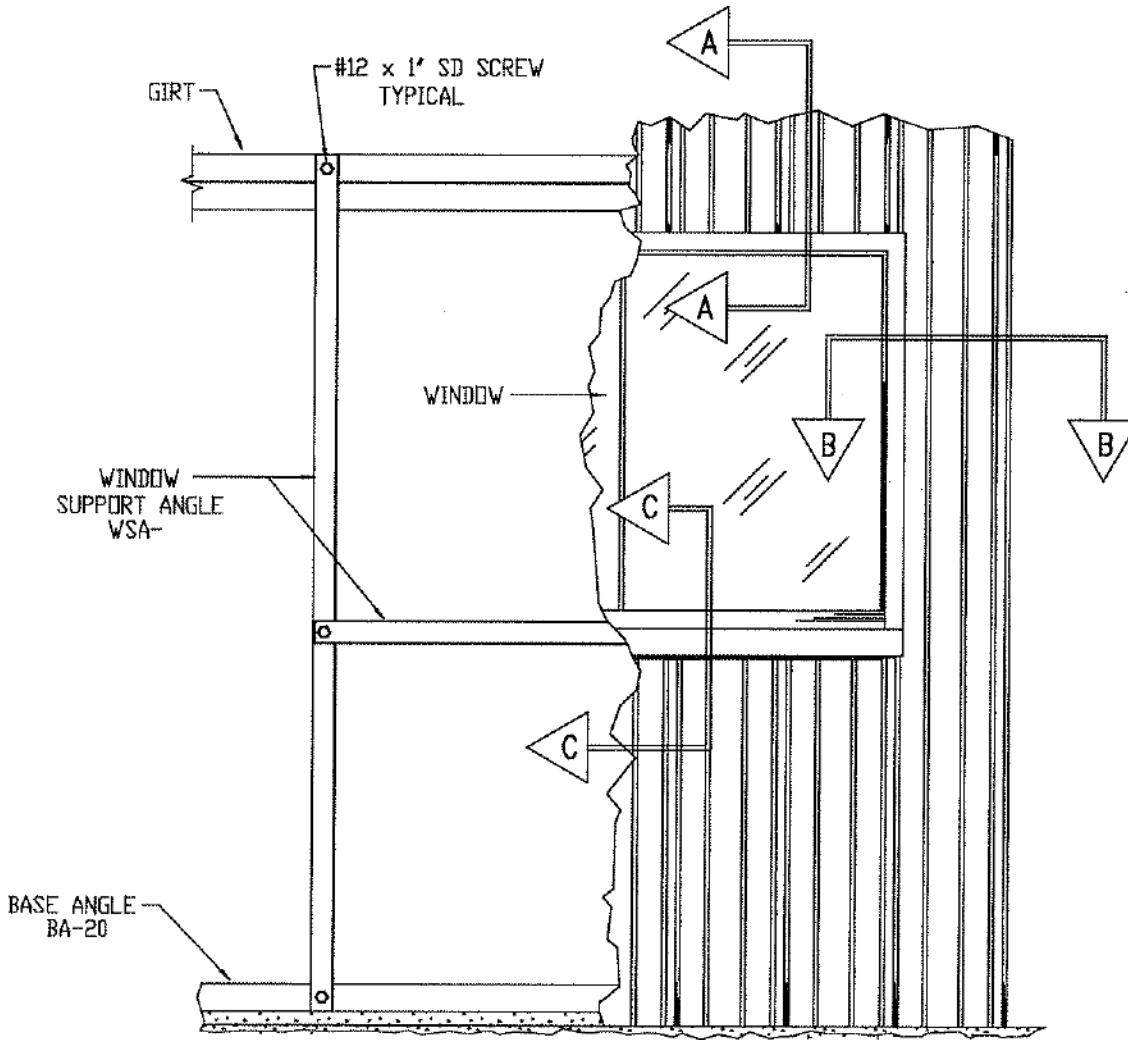
SECTION 'A - A'



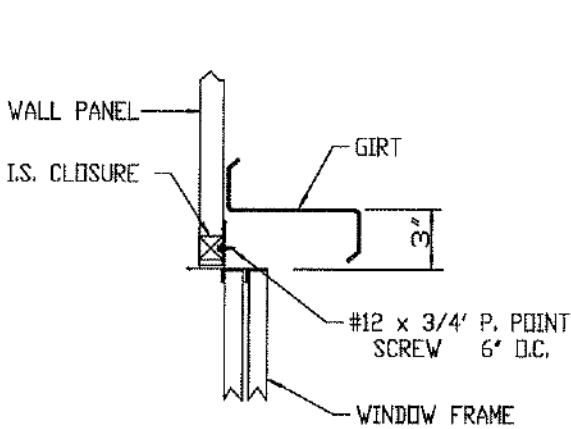
SECTION 'B - B'



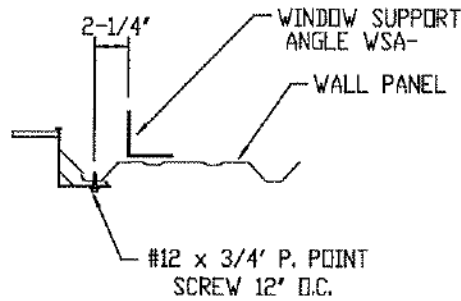
SECTION 'C - C'



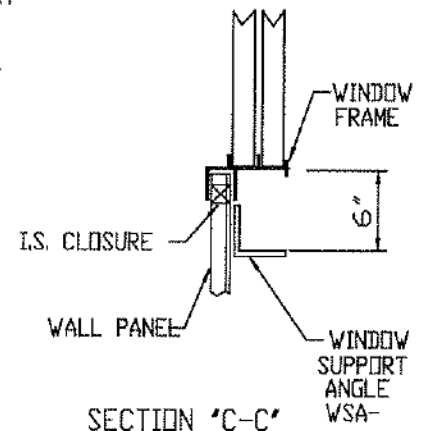
WINDOW ELEVATION



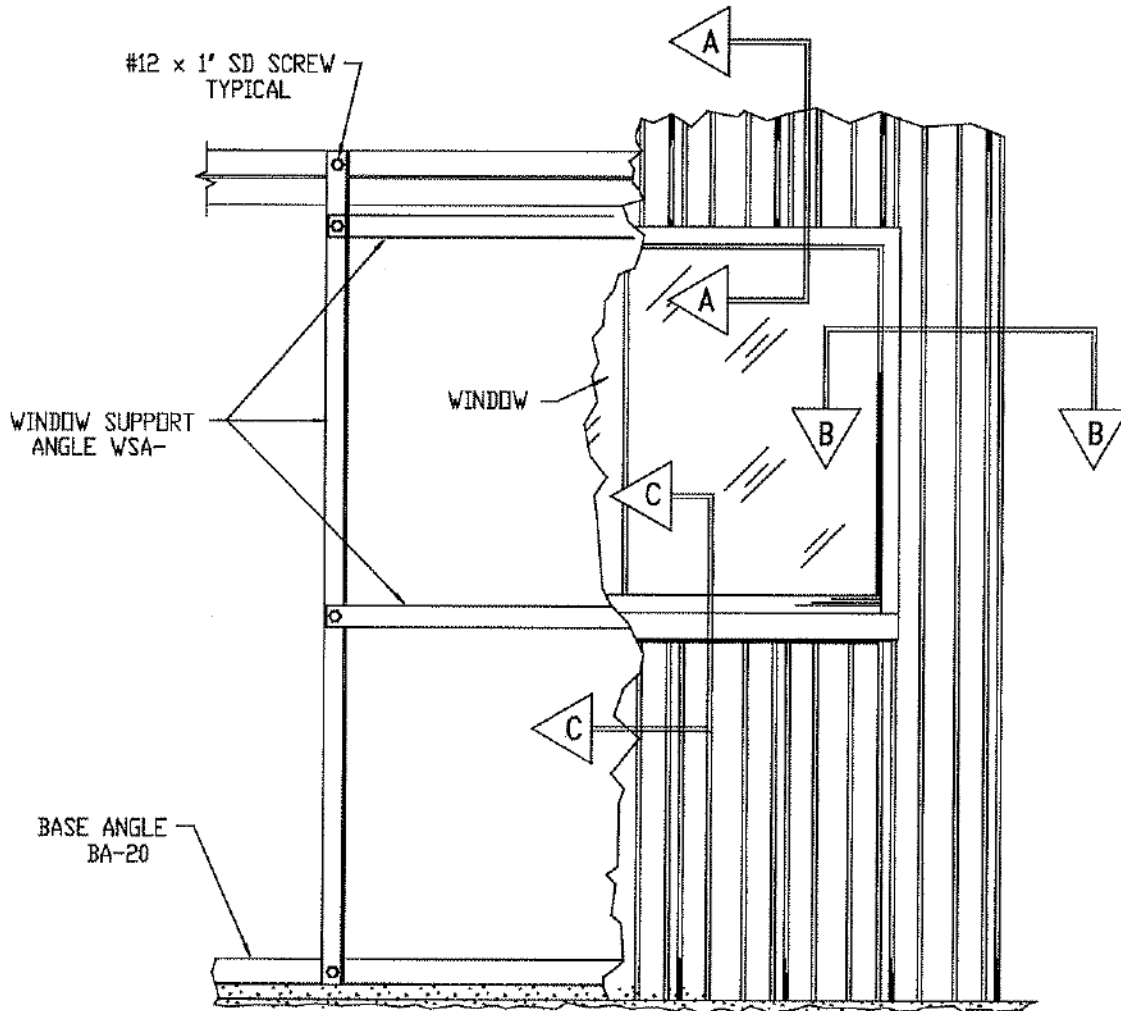
SECTION 'A-A'



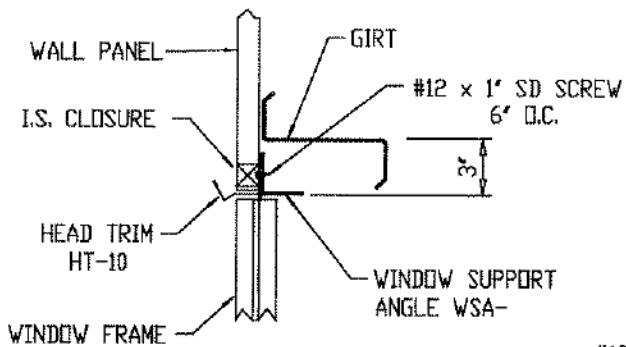
SECTION 'B-B'



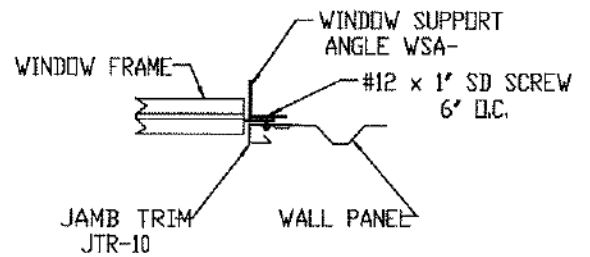
SECTION 'C-C'



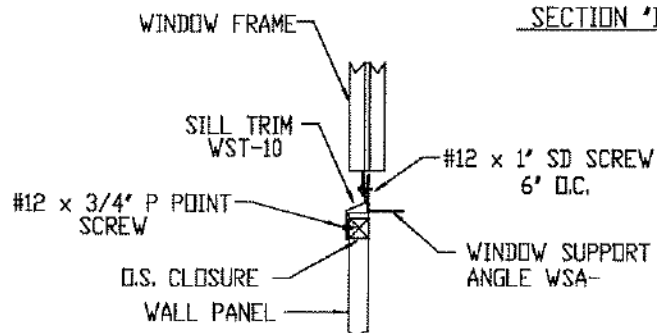
WINDOW ELEVATION



SECTION 'A-A'



SECTION 'B-B'



SECTION 'C-C'